

**FEATURES**

- Available in Normal & Reverse Polarity
- All Diffused Series
- Industrial Grade
- Pressure contact device

**TYPICAL APPLICATIONS**

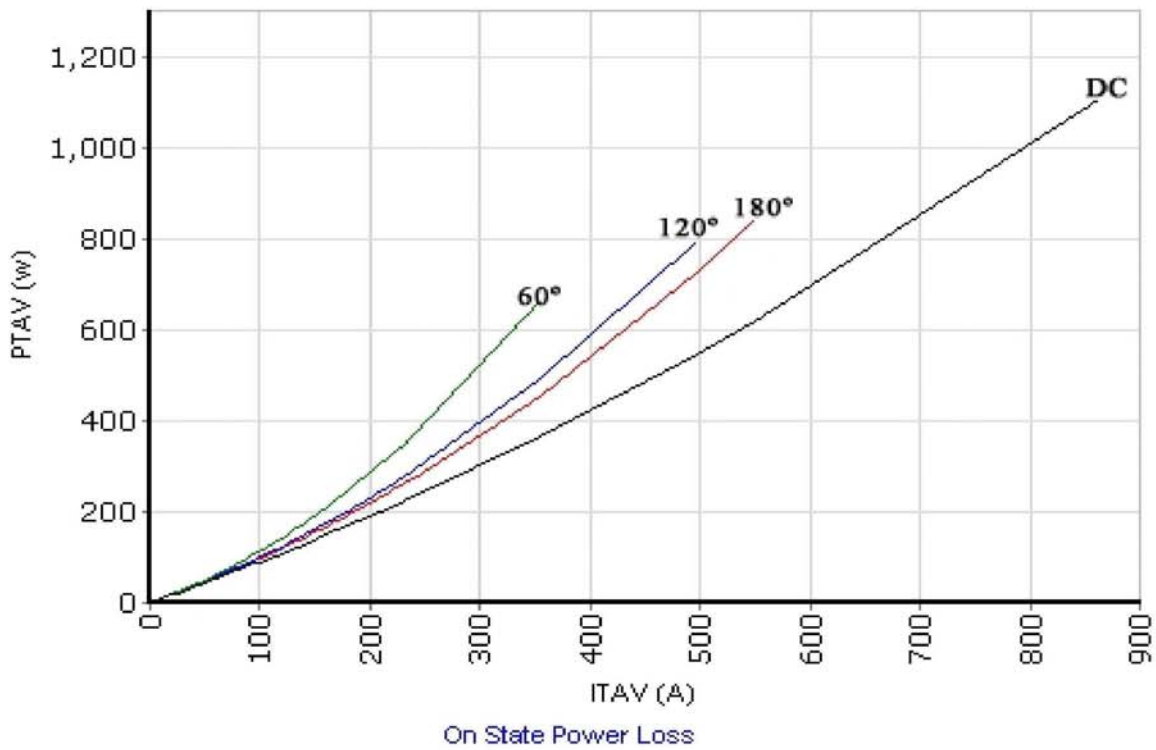
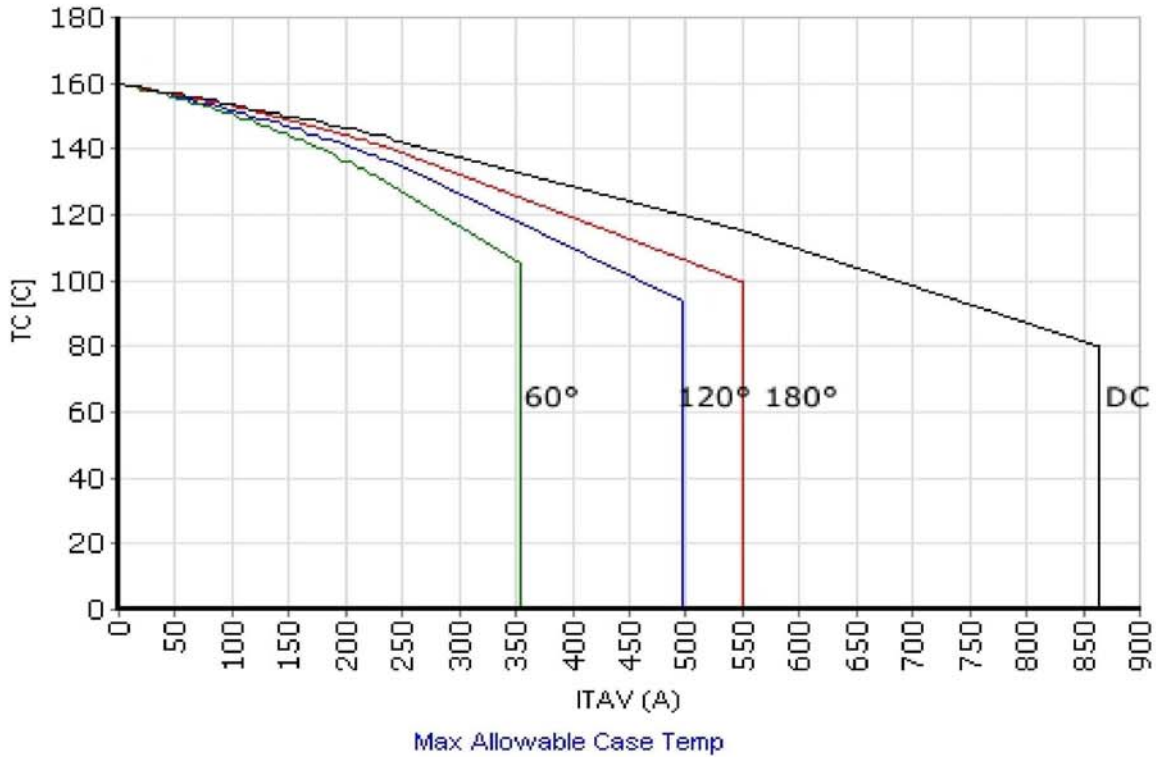
- Power supplies
- Machine tool controls
- Battery chargers
- Welders
- Traction

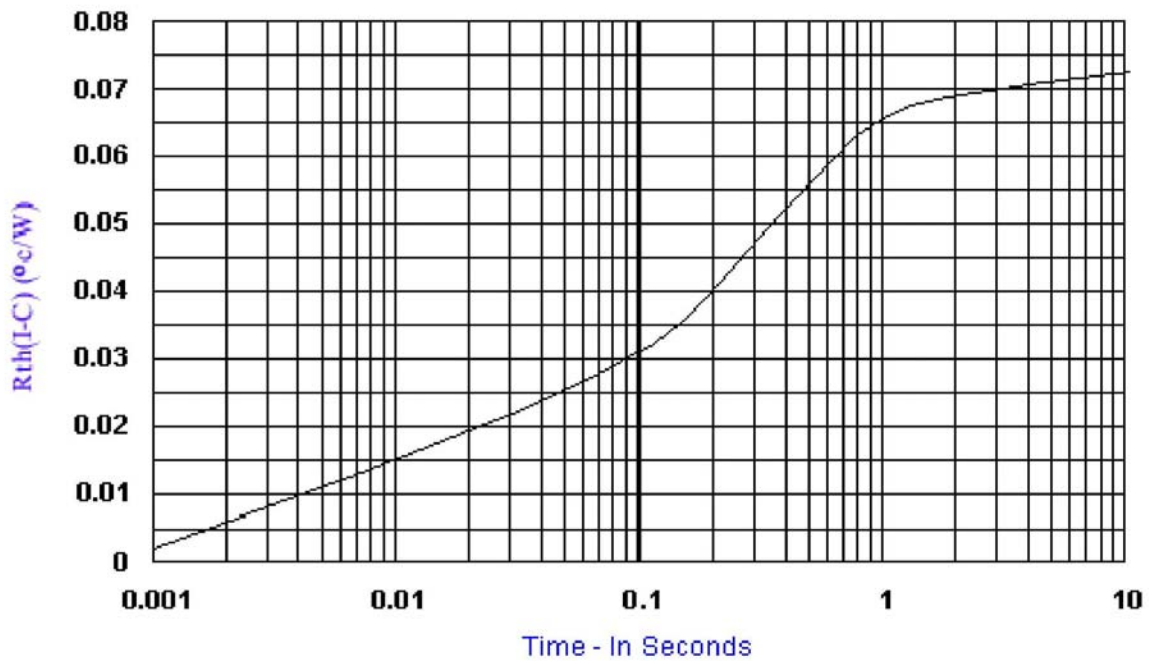
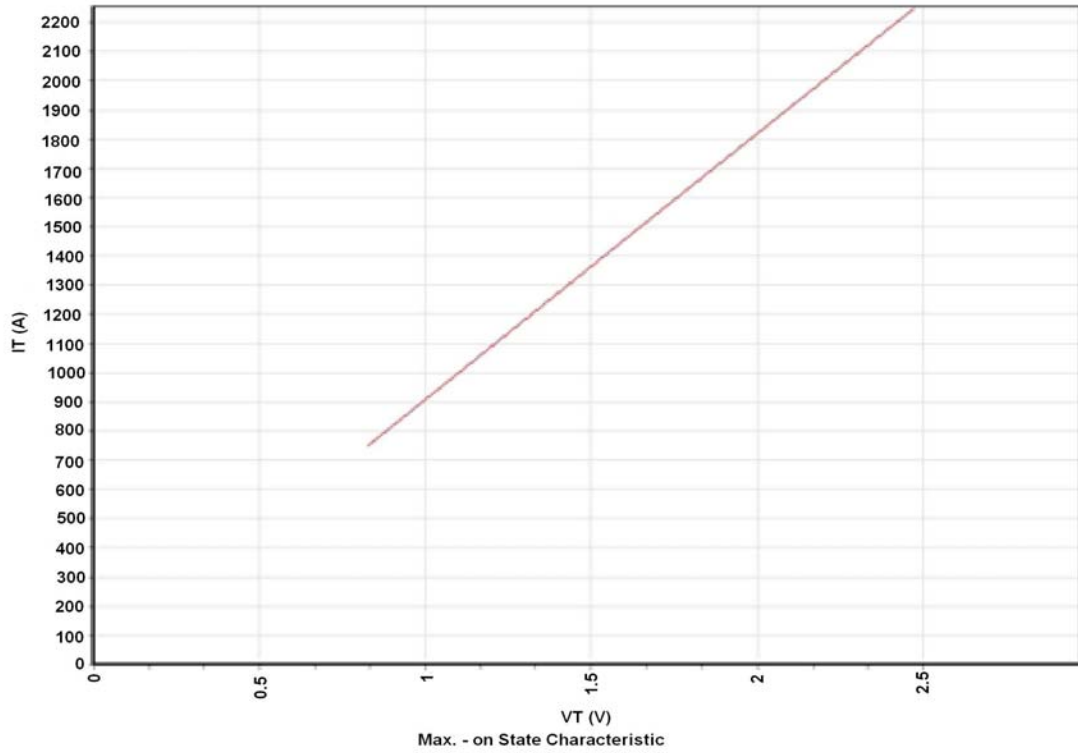
**TECHNICAL DATA**

DEVICE TYPE	V <sub>RRM</sub> (V)	V <sub>RSM</sub> (V)
570NU120/570RU120	1200	1300
570NU180/570RU180	1800	1900
570NU430/570RU430	4300	4400

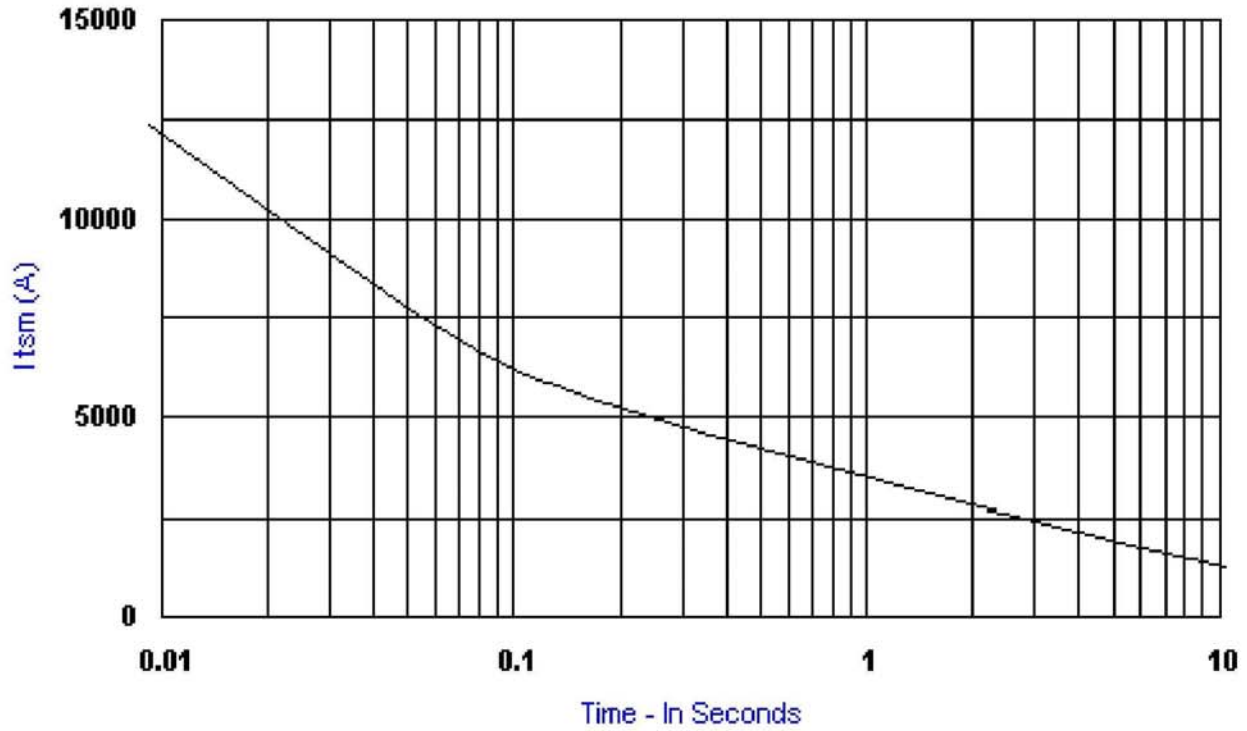


SYMBOL	CONDITIONS	VALUES
I <sub>F(AV)</sub>	Maximum average forward Current T <sub>c</sub> = 80 <sup>0</sup> C	570A
V <sub>FM</sub>	Maximum peak forward Voltage drop @ 1500 AP	1.65 V
I <sub>FSM</sub>	Maximum peak one cycle (non-rep.) surge current 10 msec	12000A
I <sup>2</sup> t	Max. I <sup>2</sup> t rating (non-rep.) for 10 msec	725000 A <sup>2</sup> Sec
I <sub>RRM</sub>	Peak reverse current at T <sub>vj</sub> = 175 <sup>0</sup> C	50 mA
V <sub>0</sub>	T <sub>vj</sub> =max	0.75 V
R <sub>0</sub>	T <sub>vj</sub> =max	0.44 mΩ
R <sub>th(j-c)</sub>	Maximum thermal resistance ( Junction to case)	0.065°C/W
R <sub>th(c-h)</sub>	Maximum thermal resistance ( Case to heat sink)	0.02 °C/W
T <sub>vj</sub>	Junction temperature	180 °C
T <sub>stg</sub>	Storage temperature	180 °C
Mounting torque		15 Nm/Per Bolt
Weight	Approx.	760 gms
Package Outline		U



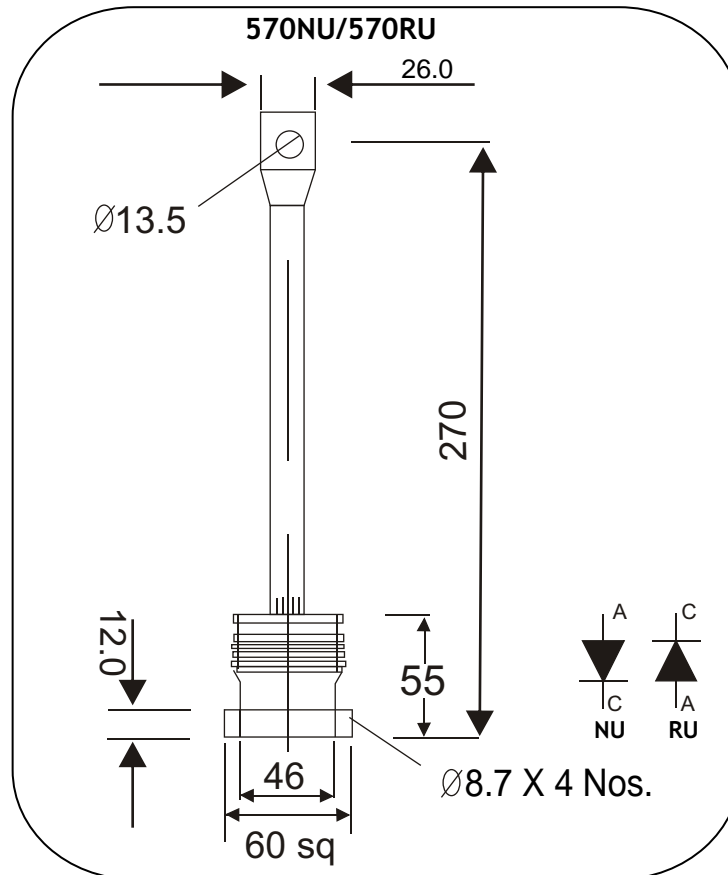


**Transient Thermal Impedance Junction to Case**



**Max Non Repetitive Surge Current**

**PACKAGE OUTLINE**



All dimensions are in mm.

**Insel Rectifiers (India) Pvt. Ltd.**

(An ISO 9001:2015, ISO 14001:2015 Certified Company)

Plot No 151, Udyog Kendra, Extn.-II, Ecotech-III, Greater Noida-201306

Toll Free No.: 1800 3070 9989, Fax : 011-27491404

E-mail : [insel@rectifierindia.com](mailto:insel@rectifierindia.com), [sales@rectifierindia.com](mailto:sales@rectifierindia.com)