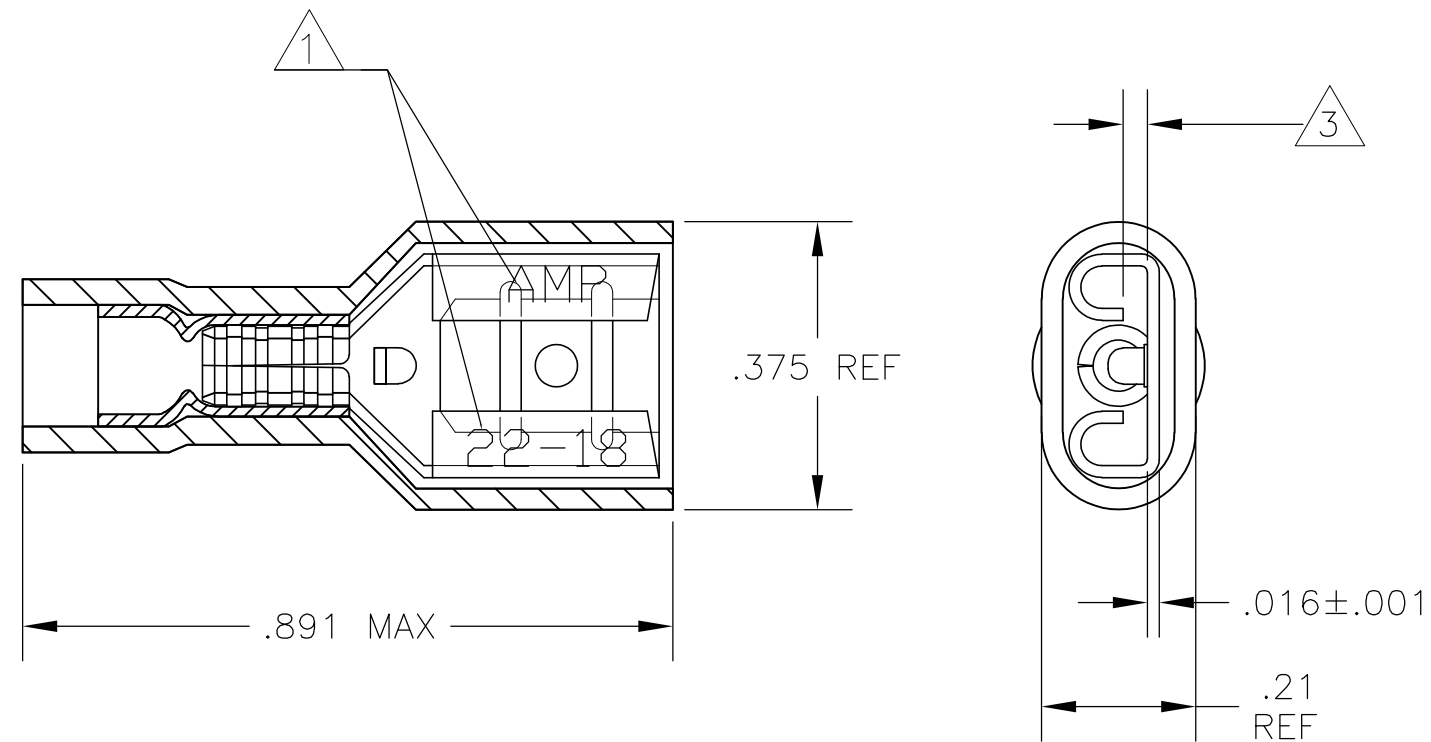


THIS DRAWING IS UNPUBLISHED. RELEASED FOR PUBLICATION  
 © COPYRIGHT - By - ALL RIGHTS RESERVED.

LOC	DIST	REVISIONS					
G	86	P	LTR	DESCRIPTION	DATE	DWN	APVD
		E2		REVISED PER ECO-11-004820	11MAR11	RK	HMR

<b>AMP WIRE RANGE</b>	 FILE E66717	 LR7189 Certified
22-18 AWG STRANDED	22-18 AWG STRANDED	22-18 AWG STRANDED

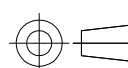



- 1 MARKED AMP 22-18
- 2 DESIGNED FOR WIRE INSULATION DIA OF .090-.125.
- 3 MATES WITH .250±.003 BY .032±.001 THK TAB.
- 4 BODY: BRASS, TIN PLATED SLEEVE: NYLON, RED
- 5 RATED FOR 10 MAX AMPERE

100	LOOSE PIECE	8-696357-1
1000	LOOSE PIECE	696357-1
QTY	PACKAGE TYPE	PART NO.

TE CONNECTIVITY CUSTOMER SERVICE SYSTEM	
FOR ADDITIONAL PRODUCT INFORMATION OR COPIES OF DRAWING AND TECHNICAL DOCUMENTS	PRODUCT INFORMATION CENTER 1-800-522-6752
FOR APPLICATION TOOLING INFORMATION	TOOLING ASSISTANCE CENTER 1-800-722-1111
FOR ORDER ENTRY	1-800-526-5142

MAX RECOMMENDED OPERATING TEMPERATURE: 105°C [221°F]
VOLTAGE RATING: 300V MAX
CIRCULAR MIL AREA: 509-1,900 STRANDED

THIS DRAWING IS A CONTROLLED DOCUMENT.	
DIMENSIONS: INCHES	TOLERANCES UNLESS OTHERWISE SPECIFIED:
	0 PLC ± - 1 PLC ± - 2 PLC ± - 3 PLC ± .008 4 PLC ± - ANGLES ± -
MATERIAL - 4	FINISH - 4

DWN JR RUTH 07NOV01	 TE Connectivity RECEPTACLE, 250 SERIES, FASTON, FULLY INSULATED, WIRE: 22-18 AWG	RESTRICTED TO		
CHK T MICHELUTTI 07NOV01		NAME		
APVD T MICHELUTTI 07NOV01		SIZE	CAGE CODE	DRAWING NO
PRODUCT SPEC		A3	00779	C-696357
APPLICATION SPEC	114-13076	SCALE 1:1		
WEIGHT	-	SHEET 1 OF 1		
CUSTOMER DRAWING		REV E2		