

PLEASE CHECK WWW.MOLEX.COM FOR LATEST PART INFORMATION

Part Number: [0711981001](#)
Status: **Active**
Overview: [microcross_dvi](#)
Description: MicroCross™ P&D-A Ground Blade

Documents:

[3D Model](#) [RoHS Certificate of Compliance \(PDF\)](#)
[Drawing \(PDF\)](#)

General

Product Family	I/O Connectors
Series	71198
Application	Wire-to-Board
Component Type	Ground Blade
Overview	microcross_dvi
Product Name	MicroCross™P&D
Type	N/A

Physical

Boot Color	N/A
Circuits (Loaded)	N/A
Gender	Male
Lock to Mating Part	None
Material - Plating Mating	Gold
Material - Plating Termination	Tin
Orientation	Vertical
PCB Retention	N/A
Packaging Type	Tray
Panel Mount	Yes
Pitch - Mating Interface (in)	0.000 In
Pitch - Mating Interface (mm)	0.00 mm
Plating min: Mating (µin)	30
Plating min: Mating (µm)	0.75
Plating min: Termination (µin)	150
Plating min: Termination (µm)	3.75
Polarized to Mating Part	No
Surface Mount Compatible (SMC)	No
Termination Interface: Style	N/A
Waterproof / Dustproof	No
Wire Size AWG	22, 24, 28, 30

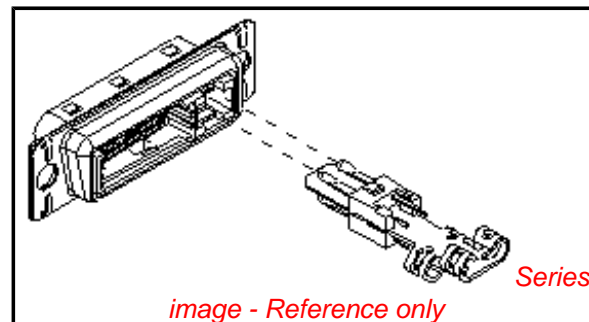
Electrical

Current - Maximum per Contact	N/A
-------------------------------	-----

Material Info

Reference - Drawing Numbers

Sales Drawing	SD-71198-100*
---------------	---------------



EU RoHS

**ELV and RoHS
Compliant**

REACH SVHC

Not Reviewed

Halogen-Free

Status

Not Reviewed

China RoHS



**Need more information on product
environmental compliance?**

Email productcompliance@molex.com
 For a multiple part number RoHS Certificate of
 Compliance, [click here](#)

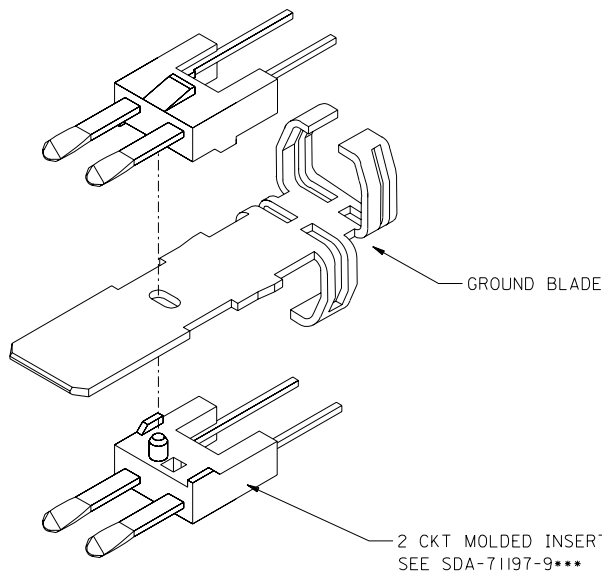
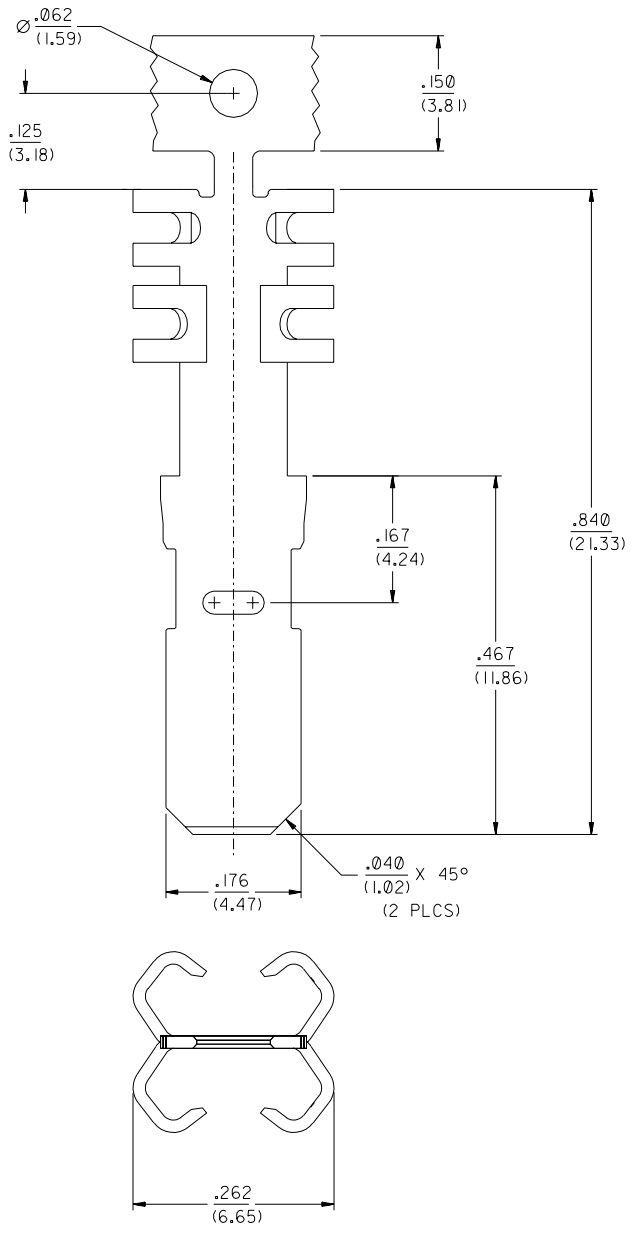
Please visit the [Contact Us](#) section for any
 non-product compliance questions.

Search Parts in this Series

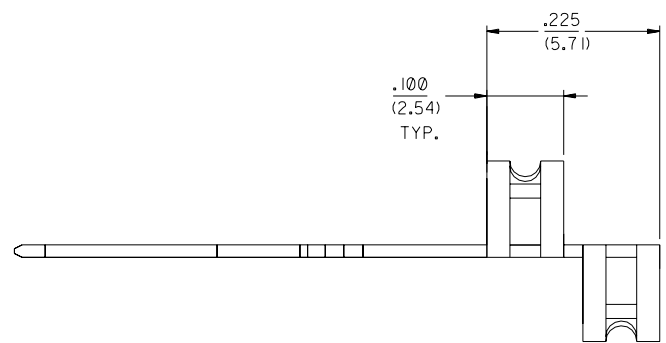
[71198Series](#)

Mates With

Wire-to-Board MicroCross PD-73712 and
 71182



VIEWS SHOWN PRE-TERMINATED



- NOTES:
1. MATERIAL: COPPER ALLOY.
 2. PLATING - CONTACT AREA:
30 MICROINCHES/(0.76 MICROMETERS) MINIMUM GOLD OVER NICKEL UNDERPLATE OVERALL.
OR
GOLD FLASH OVER 40 MICROINCHES/(1.00 MICROMETERS) MINIMUM PALLADIUM-NICKEL OVER NICKEL UNDERPLATE OVERALL.
 3. PLATING -COAX BRAID AREA :
150 MICROINCHES/(3.81 MICROMETERS) MINIMUM TIN OVER NICKEL UNDERPLATE OVERALL.
 4. PARTS ARE SHIPPED ON REELS:
QUANTITY TO BE 4,000 PARTS PER REEL
 5. REFER TO PS-71754-9999 FOR ASSEMBLY AND TERMINATION DETAILS.
 6. "X" IN STATUS COLUMN REFLECTS NOT TOOLED
- NOTE FOR LEAD FREE CONVERSION:
THE PRIMARY SHIPPING CARTON WILL BE LABELED "COMPLIANT TO ROHS DIRECTIVE 2002/95/EC AND ELV ANNEX II OF DIRECTIVE 2000/53/EC". CARTONS WITHOUT THIS LABEL MAY CONTAIN PRODUCT WITH LEAD.

C	LEADFREE ECN# UCF2004-0285 DMORGAN 04/04/23
B	REVISED PEG HOLE PER EC# U70490 SCARTH 97/03/07
A	RELEASE DRAWING ECR U70012 96/07/17 MURPHY

ITEM PART NUMBERS AND PLATING

STATUS		
A	71198-1001	30 MICROINCHES/(0.76 MICROMETERS) MINIMUM GOLD OVER NICKEL UNDERPLATE OVERALL IN CONTACT AREA 150 MICROINCHES MINIMUM TIN OVER NICKEL UNDERPLATE OVERALL IN COAX BRAID AREA.
X	71198-1002	GOLD FLASH OVER 40 MICROINCHES/(1.00 MICROMETERS) MINIMUM PALLADIUM-NICKEL OVER NICKEL UNDERPLATE OVERALL IN CONTACT AREA, 150 MICROINCHES MINIMUM TIN OVER NICKEL UNDERPLATE OVERALL IN COAX BRAID AREA.

DIMENSIONS SHOWN (METRIC) INCH UNLESS OTHERWISE SPECIFIED TOLERANCES: ANGULAR ± 1/2°		REVISE ONLY ON CAD SYSTEM	
3 PLACE ± .010	INCH	---	METRIC
2 PLACE ±	---	± 0.25	---
1 PLACE --- ±	---	---	---
DRAFT WHERE APPLICABLE MUST REMAIN WITHIN DIMENSIONS			
DRWG. BY: MOS	CHK'D. BY: PAM	FILE NAME: ST119851	DRWG. NO.: SD-71198-100*
APP'D. BY: JWN	SCALE: 8:1	THIS DRAWING CONTAINS INFORMATION THAT IS PROPRIETARY TO MOLEX INC. AND SHOULD NOT BE USED WITHOUT WRITTEN PERMISSION.	DATE: 12/13/95