

**DESCRIPTION**

The 73K224L is a highly integrated single-chip modem IC which provides the functions needed to construct a V.22bis compatible modem, capable of 2400 bit/s full-duplex operation over dial-up lines. The 73K224L offers excellent performance in a single 28-pin DIP package. This device supports V.22bis, V.22, V.21, Bell 212A and Bell 103 modes of operation, allowing both synchronous and asynchronous communication. The 73K224L is designed to appear to the systems designer as a microprocessor peripheral, and will easily interface with popular single-chip microprocessors (80C51 typical) for control of modem functions through its 8-bit multiplexed address/data bus or via an optional serial control bus. An ALE control line simplifies address demultiplexing. Data communications normally occur through a separate serial port. The 73K224L is pin and software compatible with the 73K212L and 73K222L single-chip modem ICs, allowing system upgrades with a single component change.

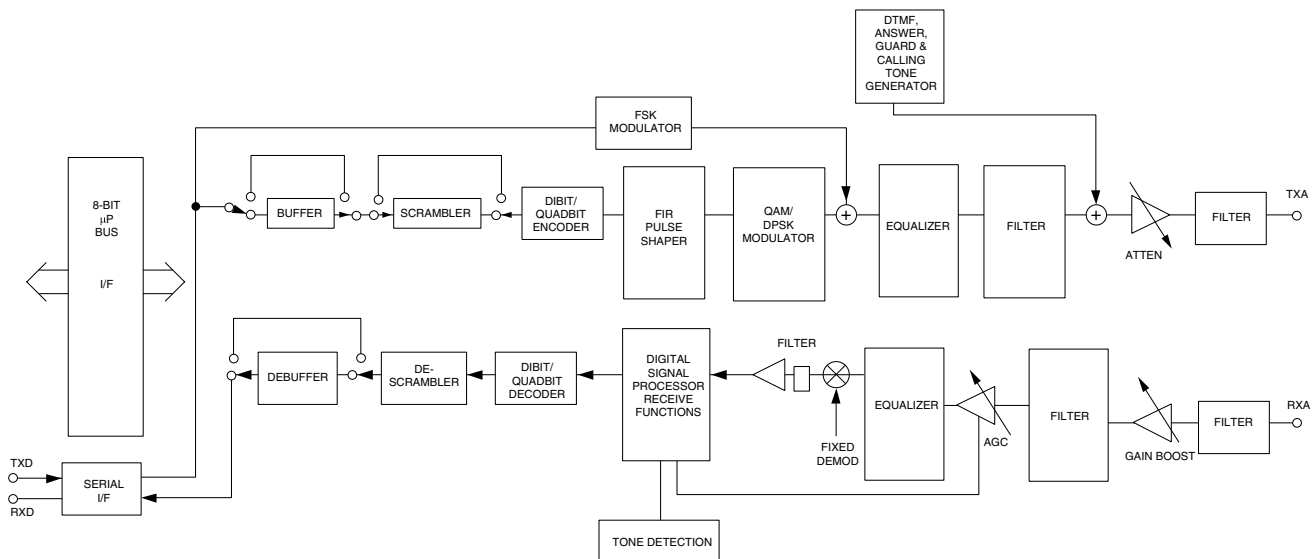
The 73K224L operates from a single +5V supply for low power consumption.

The 73K224L is ideal for use in either free-standing or integral system modem products where full-duplex  
(continued)

**FEATURES**

- One-chip multi-mode V.22bis/V.22/V.21 and Bell 212A/103 compatible modem data pump
- FSK (300 bit/s), DPSK (600, 1200 bit/s), or QAM (2400 bit/s) encoding
- Pin and software compatible with other TERIDIAN Semiconductor Corporation K-Series 1-chip modems
- Interfaces directly with standard microcontrollers (80C51 typical)
- Parallel microcontroller bus for modem control and status monitoring functions
- Selectable asynch/synch with internal buffer/debuffer and scrambler/descrambler functions
- All synchronous and asynchronous operating modes (internal, external, slave)
- Adaptive equalization for optimum performance over all lines
- Programmable transmit attenuation (16 dB, 1 dB steps), selectable receive boost (+18 dB)
- Call progress, carrier, answer tone, unscrambled mark, S1, and signal quality monitors
- DTMF, answer and guard tone generators
- Test modes available: ALB, DL, RDL, Mark, Space, Alternating bit, S1 pattern
- CMOS technology for low power consumption (typically 100 mW @ 5V) with power-down mode (15 mW @ 5V)
- TTL and CMOS compatible inputs and outputs

**BLOCK DIAGRAM**



## **DESCRIPTION** (continued)

2400 bit/s data communications over the 2-wire switched telephone network is desired. Its high functionality, low power consumption, and efficient packaging simplify design requirements and increase system reliability.

The 73K224L is designed to be a complete V.22bis compatible modem on a chip. The complete modem requires only the addition of the phone line interface, a microcontroller for modem control and status monitoring, and RS-232 level converters for a typical system. Many functions were included to simplify implementation of typical modem designs. In addition to the basic 2400 bit/s QAM, 600/1200 bit/s DPSK and 300 bit/s FSK modulator/demodulator sections, the device also includes SYNCH/ASYNCH converters, scrambler/descrambler, call progress tone detect, DTMF tone generator capabilities and handshake pattern detectors. V.22bis, V.22, V.21 and Bell 212A/103 modes are supported (synchronous and asynchronous) and test modes are provided for diagnostics. Most functions are selectable as options and logical defaults are provided.

## **OPERATION**

### **QAM MODULATOR/DEMODULATOR**

The 73K224L encodes incoming data into quad-bits represented by 16 possible signal points with specific phase and amplitude levels. The baseband signal is then filtered to reduce intersymbol interference on the bandlimited telephone network. The modulator transmits this encoded data using either a 1200 Hz (originate mode) or 2400 Hz (answer mode) carrier. The demodulator, although more complex, essentially reverses this procedure while also recovering the data clock from the incoming signal. Adaptive equalization corrects for varying line conditions by automatically changing filter parameters to compensate for line characteristics.

### **DPSK MODULATOR/DEMODULATOR**

The 73K224L modulates a serial bit stream into di-bit pairs that are represented by four possible phase shifts as prescribed by the Bell 212A/V.22 standards. The base-band signal is then filtered to reduce intersymbol interference on the bandlimited 2-wire PSTN line. Transmission occurs on either a 1200 Hz (originate mode) or 2400 Hz carrier (answer mode). Demodulation is the reverse of the modulation process, with the incoming analog signal eventually decoded into di-bits and converted back to a serial bit

stream. The demodulator also recovers the clock, which was encoded into the analog signal during modulation. Demodulation occurs using either a 1200 Hz carrier (answer mode or ALB originate mode) or a 2400 Hz carrier (originate mode or ALB answer mode). Adaptive equalization is also used in DPSK modes for optimum operation with varying line conditions.

### **FSK MODULATOR/DEMODULATOR**

The FSK modulator produces a frequency modulated analog output signal using two discrete frequencies to represent the binary data. The Bell 103 standard frequencies of 1270 and 1070 Hz (originate mark and space) and 2225 and 2025 Hz (answer mark and space) are used when this mode is selected. V.21 mode uses 980 and 1180 Hz (originate, mark and space) or 1650 and 1850 Hz (answer, mark and space). Demodulation involves detecting the received frequencies and decoding them into the appropriate binary value. The rate converter and scrambler/descrambler are automatically bypassed in the FSK modes.

### **PASSBAND FILTERS AND EQUALIZERS**

High and low band filters are included to shape the amplitude and phase response of the transmit and receive signals and provide compromise delay equalization and rejection of out-of-band signals. Amplitude and phase equalization are necessary to compensate for distortion of the transmission line and to reduce intersymbol interference in the bandlimited receive signal. The transmit signal filtering corresponds to a 75% square root of raised Cosine frequency response characteristic.

### **ASYNCHRONOUS MODE**

The Asynchronous mode is used for communication with asynchronous terminals which may communicate at 600,1200, or 2400 bit/s  $\pm 1\%$ ,  $-2.5\%$  even though the modem's output is limited to the nominal bit rate  $\pm 0.1\%$  in DPSK and QAM modes. When transmitting in this mode the serial data on the TXD input is passed through a rate converter which inserts or deletes stop bits in the serial bit stream in order to output a signal that is the nominal bit rate  $\pm 0.1\%$ . This signal is then routed to a data scrambler and into the analog modulator where quad-bit/di-bit encoding results in the output signal. Both the rate converter and scrambler can be bypassed for handshaking, and synchronous operation as selected. Received data is processed in a similar fashion except that the

**DATA SHEET**

rate converter now acts to reinsert any deleted stop bits and output data to the terminal at no greater than the bit rate plus 1%. An incoming break signal (low through two characters) will be passed through without incorrectly inserting a stop bit.

The SYNC/ASYNCR converter also has an extended Overspeed mode, which allows selection of an output overspeed range of either +1% or +2.3%. In the extended Overspeed mode, stop bits are output at 7/8 the normal width.

Both the SYNC/ASYNCR rate converter and the data descrambler are automatically bypassed in the FSK modes.

**SYNCHRONOUS MODE**

Synchronous operation is possible only in the QAM or DPSK modes. Operation is similar to that of the Asynchronous mode except that data must be synchronized to a provided clock and no variation in data transfer rate is allowable. Serial input data appearing at TXD must be valid on the rising edge of TXCLK.

TXCLK is an internally derived 1200 or 2400 Hz signal in Internal mode and is connected internally to the RXCLK pin in Slave mode. Receive data at the RXD pin is clocked out on the falling edge of RXCLK. The asynch/synch converter is bypassed when Synchronous mode is selected and data is transmitted at the same rate as it is input.

**PARALLEL BUS INTERFACE**

Eight 8-bit registers are provided for control, option select, and status monitoring. These registers are addressed with the AD0, AD1, and AD2 multiplexed address lines (latched by ALE) and appear to a control microprocessor as seven consecutive memory locations. Six control registers are read/write memory. The detect and ID registers are read only and cannot be modified except by modem response to monitored parameters.

**SERIAL CONTROL MODE**

The serial Command mode allows access to the 73K224 control and status registers via a serial control port. In this mode the AD0, AD1, and AD2 lines provide register addresses for data passed through AD7 (DATA) pin under control of the  $\overline{RD}$  and  $\overline{WR}$  lines. A read operation is initiated when the  $\overline{RD}$  line is taken low. The next eight cycles of EXCLK will then transfer out eight bits of the selected address location LSB first. A write takes place by shifting in eight bits of data LSB first for eight consecutive cycles of EXCLK.  $\overline{WR}$  is then pulsed low and data transfer into the selected register occurs on the rising edge of  $\overline{WR}$ .

**DTMF GENERATOR**

The DTMF generator controls the sending of the sixteen standard DTMF tone pairs. The tone pair sent is determined by selecting TRANSMIT DTMF (bit D4) and the 4 DTMF bits (D0-D3) of the TONE register. Transmission of DTMF tones from TXA is gated by the TRANSMIT ENABLE bit of CR0 (bit D1) as with all other analog signals.

**DATA SHEET**

**PIN DESCRIPTION**

**POWER**

NAME	TYPE	DESCRIPTION
GND	I	System Ground.
VDD	I	Power supply input, 5V -5% +10%. Bypass with 0.22 $\mu$ F and 22 $\mu$ F capacitors to GND.
VREF	O	An internally generated reference voltage. Bypass with 0.22 $\mu$ F capacitor to GND.
ISET	I	Chip current reference. Sets bias current for op-amps. The chip current is set by connecting this pin to VDD through a 2 M $\Omega$ resistor. Iset should be bypassed to GND with a 0.22 $\mu$ F capacitor.

**PARALLEL MICROPROCESSOR INTERFACE**

ALE	I	Address latch enable. The falling edge of ALE latches the address on AD0-AD2 and the chip select on $\overline{CS}$ .
AD0- AD7	I/O /Tristate	Address/data bus. These bidirectional tri-state multiplexed lines carry information to and from the internal registers.
$\overline{CS}$	I	Chip select. A low on this pin allows a read cycle or a write cycle to occur. AD0-AD7 will not be driven and no registers will be written if $\overline{CS}$ (latched) is not active. $\overline{CS}$ is latched on the falling edge of ALE.
CLK	O	Output clock. This pin is selectable under processor control to be either the crystal frequency (for use as a processor clock) or 16 x the data rate for use as a baud rate clock in QAM/DPSK modes only. The pin defaults to the crystal frequency on reset.
$\overline{INT}$	O	Interrupt. This open drain /weak pull-up, output signal is used to inform the processor that a detect flag has occurred. The processor must then read the detect register to determine which detect triggered the interrupt. $\overline{INT}$ will stay active until the processor reads the detect register or does a full reset.
$\overline{RD}$	I	Read. A low requests a read of the 73K224L internal registers. Data cannot be output unless both $\overline{RD}$ and the latched $\overline{CS}$ are active or low.
RESET	I	Reset. An active high signal on this pin will put the chip into an inactive state. All control register bits (CR0, CR1, CR2, CR3, Tone) will be reset. The output of the CLK pin will be set to the crystal frequency. An internal pull down resistor permits power on reset using a capacitor to VDD.
$\overline{WR}$	I	Write. A low on this informs the 73K224L that data is available on AD0-AD7 for writing into an internal register. Data is latched on the rising edge of $\overline{WR}$ . No data is written unless both $\overline{WR}$ and the latched $\overline{CS}$ are active (low).

NOTE: The serial control mode is provided by tying ALE high and  $\overline{CS}$  low. In this configuration AD7 becomes DATA and AD0, AD1 and AD2 become the address only.

**DATA SHEET**

**DTE USER INTERFACE**

NAME	TYPE	DESCRIPTION
EXCLK	I	External Clock. This signal is used in synchronous transmission when the external timing option has been selected. In the external timing mode the rising edge of EXCLK is used to strobe synchronous transmit data available on the TXD pin. Also used for serial control interface.
RXCLK	O/ Tristate	Receive Clock. Tri stateable. The falling edge of this clock output is coincident with the transitions in the serial received data output. The rising edge of RXCLK can be used to latch QAM or DPSK valid output data. RXCLK will be active as long as a carrier is present.
RXD	O/ Weak Pull-up	Received Digital Data Output. Serial receive data is available on this pin. The data is always valid on the rising edge of RXCLK when in synchronous mode. RXD will output constant marks if no carrier is detected.
TXCLK	O/ Tristate	Transmit Clock. Tri stateable. This signal is used in synchronous transmission to latch serial input data on the TXD pin. Data must be provided so that valid data is available on the rising edge of the TXCLK. The transmit clock is derived from different sources depending upon the synchronization mode selection. In Internal Mode the clock is generated internally. In External Mode TXCLK is phase locked to the EXCLK pin. In Slave Mode TXCLK is phase locked to the RXCLK pin. TXCLK is always active.
TXD	I	Transmit Digital Data Input. Serial data for transmission is input on this pin. In synchronous modes, the data must be valid on the rising edge of the TXCLK clock. In asynchronous modes (2400/1200/600 bit/s or 300 baud) no clocking is necessary. DPSK data must be +1%, -2.5% or +2.3%, -2.5 % in extended overspeed mode.

**ANALOG INTERFACE AND OSCILLATOR**

RXA	I	Received modulated analog signal input from the phone line.
TXA	O	Transmit analog output to the phone line.
XTL1	I	These pins are for the internal crystal oscillator requiring a 11.0592 MHz parallel mode crystal. Two capacitors from these pins to ground are also required for proper crystal operation. Consult crystal manufacturer for proper values. XTL2 can also be driven from an external clock.
XTL2	I/O	

**DATA SHEET**

**REGISTER DESCRIPTIONS**

Eight 8-bit internal registers are accessible for control and status monitoring. The registers are accessed in read or write operations by addressing the A0, A1 and A2 address lines in serial mode, or the AD0, AD1 and AD2 lines in parallel mode. The address lines are latched by ALE. Register CR0 controls the method by which data is transferred over the phone line. CR1 controls the interface between the microprocessor and the 73K224L internal state. DR is a detect register

which provides an indication of monitored modem status conditions. TR, the tone control register, controls the DTMF generator, answer and guard tones and RXD output gate used in the modem initial connect sequence. CR2 is the primary DSP control interface and CR3 controls transmit attenuation and receive gain adjustments. All registers are read/write except for DR and ID, which are read only. Register control and status bits are identified below:

**REGISTER BIT SUMMARY**

		ADDRESS	DATA BIT NUMBER							
REGISTER		AD - A0	D7	D6	D5	D4	D3	D2	D1	D0
CONTROL REGISTER 0	CR0	000	MODULATION OPTION	MODULATION TYPE 1	MODULATION TYPE 0	TRANSMIT MODE 2	TRANSMIT MODE 1	TRANSMIT MODE 0	TRANSMIT ENABLE	ANSWER/ORIGINATE
CONTROL REGISTER 1	CR1	001	TRANSMIT PATTERN 1	TRANSMIT PATTERN 0	ENABLE DETECT INTERRUPT	BYPASS SCRAMBLER	CLK CONTROL	RESET	TEST MODE 1	TEST MODE 0
DETECT REGISTER	DR	010	RECEIVE LEVEL	PATTERN S1 DET	RECEIVE DATA	UNSCR. MARK DETECT	CARRIER DETECT	SPECIAL TONE DETECT	CALL PROGRESS DETECT	SIGNAL QUALITY
TONE CONTROL REGISTER	TR	011	RXD OUTPUT CONTROL	TRANSMIT GUARD TONE	TRANSMIT ANSWER TONE	TRANSMIT DTMF	DTMF3	DTMF2/4W/FDX	DTMF1/EXTENDED OVERSPEED	DTMF0/GUARD/ANSWER
CONTROL REGISTER 2	CR2	100	0	SPECIAL REGISTER ACCESS	CALL INITIALIZE	TRANSMIT S1	16 WAY	RESET DSP	TRAIN INHIBIT	EQUALIZER ENABLE
CONTROL REGISTER 3	CR3	101	TXDALT	TRISTATE TX/RXCLK	0	RECEIVE GAIN BOOST	TRANSMIT ATTEN. 3	TRANSMIT ATTEN. 2	TRANSMIT ATTEN. 1	TRANSMIT ATTEN. 0
SPECIAL REGISTER	SR	101	0	TX BAUD CLOCK	RX UNSCR. DATA	0	TXD SOURCE	SQ SELECT 1	SQ SELECT 0	0
ID REGISTER	ID	110	ID	ID	ID	ID	X	X	X	1

**NOTE:** When a register containing reserved control bits is written into, the reserved bits must be programmed as 0's.

X = Undefined, mask in software



**DATA SHEET**

**REGISTER ADDRESS TABLE**

REGISTER	ADDRESS		DATA BIT NUMBER						
	AD2 - AD0	D7	D6	D5	D4	D3	D2	D1	D0
<b>CONTROL REGISTER 0</b> CR0	000	<b>MODULATION OPTION</b>	<b>MODULATION TYPE 1</b>	<b>MODULATION TYPE 0</b>	<b>TRANSMIT MODE 2</b>	<b>TRANSMIT MODE 1</b>	<b>TRANSMIT MODE 0</b>	<b>TRANSMIT ENABLE</b>	<b>ANSWER/ORIGINATE</b>
		QAM: 0=2400 BIT/S DPSK: 0=1200 BIT/S 1=600 BIT/S FSK: 0=103 MODE 1=V.21	10=QAM 00=DPSK 01=FSK	0000=PWR DOWN 0001=INT SYNCH 0010=EXT SYNCH 0011=SLAVE SYNCH 0100=ASYCH 8 BITS/CHAR 0101=ASYCH 9 BITS/CHAR 0110=ASYCH 10 BITS/CHAR 0111=ASYCH 11 BITS/CHAR 1X00=FSK				0=DISABLE TXA OUTPUT 1=ENABLE TXA OUTPUT	0=ANSWER 1=ORIGINATE
<b>CONTROL REGISTER 1</b> CR1	001	<b>TRANSMIT PATTERN 1</b>	<b>TRANSMIT PATTERN 0</b>	<b>ENABLE DETECT INTERRUPT</b>	<b>BYPASS SCRAMBLER</b>	<b>CLK CONTROL</b>	<b>RESET</b>	<b>TEST MODE 1</b>	<b>TEST MODE 0</b>
		00=TX DATA 01=TX ALTERNATE 10=TX MARK 11=TX SPACE		0=DISABLE 1=ENABLE	0=NORMAL 1=BYPASS SCRAMBLER	0=XTAL 1=16 X DATA RATE OUTPUT AT CLK PIN IN QAM/DPSK MODE ONLY	0=NORMAL 1=RESET	00=NORMAL 01=ANALOG LOOPBACK 10=REMOTE DIGITAL LOOPBACK 11=LOCAL DIGITAL LOOPBACK	
<b>DETECT REGISTER</b> DR	010	<b>RECEIVE LEVEL INDICATOR</b>	<b>S1 PATTERN DETECT</b>	<b>RECEIVE DATA</b>	<b>UNSCR. MARKS DETECT</b>	<b>CARRIER DETECT</b>	<b>ANSWER TONE DETECT</b>	<b>CP TONE DETECT</b>	<b>SIGNAL QUALITY INDICATOR</b>
		0=SIGNAL BELOW THRESHOLD 1=ABOVE THRESHOLD	0=NOT PRESENT 1=PATTERN FOUND	OUTPUTS RECEIVED DATA STREAM		0=CONDITION NOT DETECTED 1=CONDITION DETECTED			0=GOOD 1=BAD
<b>tone CONTROL REGISTER</b> TR	011	<b>RXD OUTPUT CONTROL</b>	<b>TRANSMIT GUARD TONE</b>	<b>TRANSMIT ANSWER TONE</b>	<b>TRANSMIT DTMF</b>	<b>DTMF3</b>	<b>DTMF2/4 W/ FDX</b>	<b>DTMF1/ EXTENDED OVERSPEED</b>	<b>DTMF0/ GUARD/ ANSWER/ CALLING/SCT</b>
		RXD PIN 0=NORMAL 1=OPEN	0=OFF 1=ON	0=OFF 1=ON	0=DATA 1=TX DTMF		4 BIT CODE FOR 1 OF 16 DUAL TONE COMBINATIONS		0=1800 Hz G.T. 2225 Hz ANS TONE GENERATED 1= 550 Hz G.T. 2100 Hz ANS TONE GENERATED & DETECTED (V.21, V.22)
<b>CONTROL REGISTER 2</b> CR2	100	0	<b>SPECIAL REGISTER ACCESS</b>	<b>CALL INITIALIZE</b>	<b>TRANSMIT S1</b>	<b>16 WAY</b>	<b>RESET DSP</b>	<b>TRAIN INHIBIT</b>	<b>EQUALIZER ENABLE</b>
			0=ACCESS CR3 1=ACCESS SPECIAL REGISTER	0=DSP IN DEMOD MODE 1=DSP IN CALL PROGRESS MODE	0=NORMAL DOTTING 1=S1	0=RX=TX 1=RX=16 WAY	0=DSP INACTIVE 1=DSP ACTIVE	0=ADAPT EQ ACTIVE 1=ADAPT EQ FROZEN	0=ADAPT EQ IN INIT 1=ADAPT EQ OK TO ADAPT
<b>CONTROL REGISTER 3</b> CR3	101	<b>TXDALT</b>	<b>TRISTATE TX/RXCLK</b>	0	<b>RECEIVE GAIN BOOST</b>	<b>TRANSMIT ATTEN. 3</b>	<b>TRANSMIT ATTEN. 2</b>	<b>TRANSMIT ATTEN. 1</b>	<b>TRANSMIT ATTEN. 0</b>
		ALTERNATE TRANSMIT DATA SOURCE	0=NORMAL 1=TRISTATE		0=NO BOOST 1=18 dB BOOST			0000-1111, SETS TRANSMIT ATTENUATOR 16 dB RANGE DEFAULT=0100 <sup>3</sup> -10 dbm0	
<b>SPECIAL REGISTER</b> SR	101	0	<b>TX BAUD CLOCK</b>	<b>RX UNSCR. DATA</b>	0	<b>TXD SOURCE</b>	<b>SQ SELECT1</b>	<b>SQ SELECT0</b>	0
			OUTPUTS TXBAUD CLOCK	OUTPUTS UNSCR. DATA		0=TXD PIN 1=TXALT BIT	00*10 <sup>-5</sup> BER 01*10 <sup>-6</sup> BER 10*10 <sup>-4</sup> BER 11*10 <sup>-3</sup> BER		
<b>ID REGISTER</b> 10	110	ID	ID	ID	ID	X	X	X	X

00XX=73K212AL, 322L, 321L  
01XX=73K221AL, 302L  
10XX=73K222AL, 222BL  
1100=73K224L  
1110=73K324L  
1100=73K224BL  
1110=73K324BL

**DATA SHEET**
**CONTROL REGISTER 0**

CR0 000	D7 MODUL. OPTION	D6 MODUL. TYPE 1	D5 MODUL. TYPE 0	D4 TRANSMIT MODE 2	D3 TRANSMIT MODE 1	D2 TRANSMIT MODE 0	D1 TRANSMIT ENABLE	D0 ANSWER/ ORIGINATE
<b>BIT NO.</b>	<b>NAME</b>		<b>CONDITION</b>		<b>DESCRIPTION</b>			
D0	Answer/ Originate		0		Selects answer mode (transmit in high band, receive in low band).			
			1		Selects originate mode (transmit in low band, receive in high band).			
D1	Transmit Enable		0		Disables transmit output at TXA.			
			1		Enables transmit output at TXA.			
			Note: Transmit Enable must be set to 1 to allow activation of Answer Tone or DTMF.					
			D5	D4	D3	D2		
			0	0	0	0	Selects power down mode. All functions disabled except digital interface.	
D5, D4, D3, D2	Transmit Mode		0	0	0	1	Internal synchronous mode. In this mode TXCLK is an internally derived 600,1200 or 2400 Hz signal. Serial input data appearing at TXD must be valid on the rising edge of TXCLK. Receive data is clocked out of RXD on the falling edge of RXCLK.	
			0	0	1	0	External synchronous mode. Operation is identical to internal synchronous, but TXCLK is connected internally to EXCLK pin, and a 600, 1200 or 2400 Hz clock must be supplied externally.	
			0	0	1	1	Slave synchronous mode. Same operation as other synchronous modes. TXCLK is connected internally to the RXCLK pin in this mode.	
			0	1	0	0	Selects asynchronous mode - 8 bits/character (1 start bit, 6 data bits, 1 stop bit).	
			0	1	0	1	Selects asynchronous mode - 9 bits/character (1 start bit, 7 data bits, 1 stop bit).	
			0	1	1	0	Selects asynchronous mode - 10 bits/character (1 start bit, 8 data bits, 1 stop bit).	
			0	1	1	1	Selects asynchronous mode - 11 bits/character (1 start bit, 8 data bits, Parity and/or 1 or 2 stop bits).	
			1	X	0	0	Selects FSK operation.	
D6,D5	Modulation Type		D6	D5				
			1	0	QAM			
			0	0	DPSK			
			0	1	FSK			



**DATA SHEET**
**CONTROL REGISTER 0** (continued)

CR0 000	D7	D6	D5	D4	D3	D2	D1	D0
	MODUL. OPTION	MODUL. TYPE 1	MODUL. TYPE 0	TRANSMIT MODE 2	TRANSMIT MODE 1	TRANSMIT MODE 0	TRANSMIT ENABLE	ANSWER/ ORIGINATE
BIT NO.	NAME		CONDITION	DESCRIPTION				
D7	Modulation Option		0	QAM selects 2400 bit/s. DPSK selects 1200 bit/s. FSK selects 103 mode.				
			1	DPSK selects 600 bit/s. FSK selects V.21 mode.				

**CONTROL REGISTER 1**

CR1 001	D7	D6	D5	D4	D3	D2	D1	D0					
	TRANSMIT PATTERN 1	TRANSMIT PATTERN 0	ENABLE DETECT INT.	BYPASS SCRAMB	CLK CONTROL	RESET	TEST MODE 1	TEST MODE 0					
BIT NO.	NAME		CONDITION	DESCRIPTION									
D1, D0	Test Mode		D1 D0	Selects normal operating mode.									
			0 0										
			0 1						Analog loopback mode. Loops the transmitted analog signal back to the receiver, and causes the receiver to use the same carrier frequency as the transmitter. To squelch the TXA pin, TRANSMIT ENABLE bit as well as Tone Reg bit D2 must be low.				
			1 0						Selects remote digital loopback. Received data is looped back to transmit data internally, and RXD is forced to a mark. Data on TXD is ignored.				
D2	Reset		0	Selects normal operation.									
			1	Resets modem to power down state. All control register bits (CR0, CR1, CR2, CR3 and Tone) are reset to zero except CR3 bit D2. The output of the clock pin will be set to the crystal frequency.									
D3	Clock Control		0	Selects 11.0592 MHz crystal echo output at CLK pin.									
			1	Selects 16 X the data rate, output at CLK pin in DPSK/QAM modes only.									

**DATA SHEET**
**CONTROL REGISTER 1** (continued)

	D7	D6	D5	D4	D3	D2	D1	D0						
CR1 001	TRANSMIT PATTERN 1	TRANSMIT PATTERN 0	ENABLE DETECT INT.	BYPASS SCRAMB	CLK CONTROL	RESET	TEST MODE 1	TEST MODE 0						
BIT NO.	NAME	CONDITION	DESCRIPTION											
D4	Bypass Scrambler	0	Selects normal operation. DPSK and QAM data is passed through scrambler.											
		1	Selects Scrambler Bypass. Bypass DPSK and QAM data is routed around scrambler in the transmit path.											
D5	Enable Detect Interrupt	0	Disables interrupt at $\overline{INT}$ pin. All interrupts are normally disabled in power down mode.											
		1	Enables $\overline{INT}$ output. An interrupt will be generated with a change in status of DR bits D1-D4 and D6. The answer tone and call progress detect interrupts are masked when the TX enable bit is set. Carrier detect is masked when TX DTMF is activated. All interrupts will be disabled if the device is in power down mode.											
D7, D6	Transmit Pattern	D7 D6	Selects normal data transmission as controlled by the state of the TXD pin.											
		0 0												
		0 1							Selects an alternating mark/space transmit pattern for modem testing and handshaking. Also used for S1 pattern generation. See CR2 bit D4.					
		1 0							Selects a constant mark transmit pattern.					
		1 1							Selects a constant space transmit pattern.					

**DETECT REGISTER**

	D7	D6	D5	D4	D3	D2	D1	D0
DR 010	RECEIVE LEVEL INDICATOR	S1 PATTERN DETECT	RECEIVE DATA	UNSCR MARK. DETECT	CARR. DETECT	ANSWER TONE DETECT	CALL PROG. DETECT	SIGNAL QUALITY INDICATOR
BIT NO.	NAME	CONDITION	DESCRIPTION					
D0	Signal Quality Indicator	0	Indicates normal received signal.					
		1	Indicates low received signal quality (above average error rate). Interacts with special register bits D2, D1.					
D1	Call Progress Detect	0	No call progress tone detected.					
		1	Indicates presence of call progress tones. The call progress detection circuitry is activated by energy in the normal 350 to 620 Hz call progress bandwidth.					

**DATA SHEET**
**DETECT REGISTER** (continued)

DR 010	D7	D6	D5	D4	D3	D2	D1	D0
	RECEIVE LEVEL INDICATOR	S1 PATTERN DETECT	RECEIVE DATA	UNSCR. MARK DETECT	CARR. DETECT	ANSWER TONE DETECT	CALL PROG.	SIGNAL QUALITY INDICATOR
BIT NO.	NAME	CONDITION			DESCRIPTION			
D2	Answer Tone Received	0			No answer tone detected.			
		1			In Call Init mode, indicates detection of 2225 Hz answer tone in Bell mode (TR bit D0=0) or 2100 Hz if in CCITT mode (TR bit D0=1). The device must be in originate mode for detection of answer tone. Both answer tones are detected in demod mode.			
D3	Carrier Detect	0			No carrier detected in the receive channel.			
		1			Indicated carrier has been detected in the received channel.			
D4	Unscrambled Mark Detect	0			No unscrambled mark.			
		1			Indicates detection of unscrambled marks in the received data. Should be time qualified by software.			
D5	Receive Data				Continuously outputs the received data stream. This data is the same as that output on the RXD pin, but it is not disabled when RXD is tri-stated.			
D6	S1 Pattern Detect	0			No S1 pattern being received.			
		1			S1 pattern detected. Should be time qualified by software. S1 pattern is defined as a double di-bit (001100..) unscrambled 1200 bit/s DPSK signal. Pattern must be aligned with baud clock to be detected.			
D7	Receive Level Indicator	0			Received signal level below threshold, (typical $\approx$ -25 dBm0); can use receive gain boost (+18 dB).			
		1			Received signal above threshold.			

**TONE REGISTER**

TR 011	D7	D6	D5	D4	D3	D2	D1	D0
	RXD OUTPUT CONTR.	TRANSMIT GUARD TONE	TRANSMIT ANSWER TONE	TRANSMIT DTMF	DTMF 3	DTMF 2	DTMF 1/ EXTENDED OVER-SPEED	DTMF 0/ ANSWER/ GUARD
BIT NO.	NAME	CONDITION			DESCRIPTION			
D0	DTMF 0/ Answer/ Guard Tone	D6 D5 D4 D0			D0 interacts with bits D6, D5, and D4 as shown.			
		X X 1 X			Transmit DTMF tones.			
		X 1 0 0			Select Bell mode answer tone. Interacts with DR bit D2 and TR bit D5.			
		X 1 0 1			Select CCITT mode answer tone. Interacts with DR bit D2 and TR bit D5.			

**DATA SHEET**

**TONE REGISTER** (continued)

	D7	D6	D5	D4	D3	D2	D1	D0
TR 011	RXD OUTPUT CONTR.	TRANSMIT GUARD TONE	TRANSMIT ANSWER TONE	TRANSMIT DTMF	DTMF 3	DTMF 2/4 WIRE FDX	DTMF 1/ EXTENDED OVER- SPEED	DTMF 0/ ANSWER/ GUARD
BIT NO.	NAME	CONDITION			DESCRIPTION			
D0	DTMF 0/ Answer/ Guard Tone	D6	D5	D4	D0	D0 interacts with bits D6, D5, and D4 as shown.		
		1	0	0	0	Select 1800 Hz guard tone.		
		1	0	0	1	Select 550 Hz guard tone.		
D1	DTMF 1/ Extended Overspeed	D4	D1			D1 interacts with D4 as shown.		
		0	0			Asynchronous QAM or DPSK +1.0% -2.5%. (normal)		
		0	1			Asynchronous QAM or DPSK +2.3% -2.5%. (extended overspeed)		
D2	DTMF 2/4 WIRE FDX	D4	D2			Selects 2 wire duplex or half duplex		
		0	0					
		0	1			D2 selects 4 wire full duplex in the modulation mode selected. The receive path corresponds to the ANS/ORIG bit CR0 D0 in terms of high or low band selection. The transmitter is in the same band as the receiver, but does not have magnitude filtering or equalization on its signal as in the receive path.		

**DATA SHEET**
**TONE REGISTER** (continued)

TR	D7	D6	D5	D4	D3	D2	D1	D0	
011	RXD OUTPUT CONTR.	TRANSMIT GUARD TONE	TRANSMIT ANSWER TONE	TRANSMIT DTMF	DTMF 3	DTMF 2/4 WIRE FDX	DTMF 1/ EXTENDED OVER-SPEED	DTMF 0/ ANSWER GUARD	
BIT NO.	NAME	CONDITION	DESCRIPTION						
D3, D2, D1, D0	DTMF 3, 2, 1, 0	D4 = 1	Programs 1 of 16 DTMF tone pairs that will be transmitted when TX DTMF and TX enable bit (CR0, bit D1) is set. Tone encoding is shown below:						
			KEYBOARD EQUIVALENT	DTMF CODE			TONES		
				D3	D2	D1	D0	LOW	HIGH
			1	0	0	0	1	697	1209
			2	0	0	1	0	697	1336
			3	0	0	1	1	697	1477
			4	0	1	0	0	770	1209
			5	0	1	0	1	770	1336
			6	0	1	1	0	770	1477
			7	0	1	1	1	852	1209
			8	1	0	0	0	852	1336
			9	1	0	0	1	852	1477
			0	1	0	1	0	941	1336
			*	1	0	1	1	941	1209
			#	1	1	0	0	941	1477
			A	1	1	0	1	697	1633
B	1	1	1	0	770	1633			
C	1	1	1	1	852	1633			
D	0	0	0	0	941	1633			
D4	TX DTMF (Transmit DTMF)	0	Disable DTMF.						
		1	Activate DTMF. The selected DTMF tones are transmitted continuously when this bit is high. TX DTMF overrides all other transmit functions.						

Note: DTMF0 - DTMF2 should be set to an appropriate state after DTMF dialing to avoid unintended operation.

**DATA SHEET**

**TONE REGISTER** (continued)

	D7	D6	D5	D4	D3	D2	D1	D0
TR 011	RXD OUTPUT CONTR.	TRANSMIT GUARD TONE	TRANSMIT ANSWER TONE	TRANSMIT DTMF	DTMF 3	DTMF 2/4 WIRE FDX	DTMF 1/ EXTENDED OVER-SPEED	DTMF 0/ ANSWER/ GUARD
BIT NO.	NAME	CONDITION			DESCRIPTION			
D5	Transmit Answer Tone	D5 D4 D0			D5 interacts with bits D4 and D0 as shown. Also interacts with DR bit D2 in originate mode. See Detect Register description.			
		0 0 X			Disables answer tone generator.			
		1 0 0			In answer mode, a Bell 2225 Hz tone is transmitted continuously when the Transmit Enable bit is set.			
		1 0 1			Likewise, a CCITT 2100 Hz answer tone is transmitted.			
D6	Transmit Guard Tone	0			Disables guard tone generator.			
		1			Enables guard tone generator. (See D0 for selection of guard tones.) Bit D4 must be zero.			
D7	RXD Output Control	0			Enables RXD pin. Receive data will be output on RXD.			
		1			Disables RXD pin. The RXD pin reverts to a high impedance with internal weak pull-up resistor.			

**CONTROL REGISTER 2**

	D7	D6	D5	D4	D3	D2	D1	D0
CR2 100	0	SPEC REG ACCESS	CALL INIT	TRANSMIT S1	16 WAY	RESET DSP	TRAIN INHIBIT	EQUALIZER ENABLE
BIT NO.	NAME	CONDITION			DESCRIPTION			
D0	Equalizer Enable	0			The adaptive equalizer is in its initialized state.			
		1			The adaptive equalizer is enabled. This bit is used in handshakes to control when the equalizer should calculate its coefficients.			
D1	Train Inhibit	0			The adaptive equalizer is active.			
		1			The adaptive equalizer coefficients are frozen.			
D2	RESET DSP	0			The DSP is inactive and all variables are initialized.			
		1			The DSP is running based on the mode set by other control bits			
D3	16 Way	0			The receiver and transmitter are using the same decision plane (based on the Modulator Control Mode).			
		1			The receiver, independent of the transmitter, is forced into a 16 point decision plane. Used for QAM handshaking.			



**DATA SHEET**
**CONTROL REGISTER 2** (continued)

CR2 100	D7	D6	D5	D4	D3	D2	D1	D0
	0	SPEC REG ACCESS	CALL INIT	TRANSMIT S1	16WAY	RESET DSP	TRAIN INHIBIT	EQUALIZER ENABLE
BIT NO.	NAME		CONDITION	DESCRIPTION				
D4	Transmit S1		0	The transmitter when placed in alternating mark/space mode transmits 0101..... scrambled or not dependent on the bypass scrambler bit.				
			1	When this bit is 1 and only when the transmitter is placed in alternating mark/space mode by CR1 bits D7, D6, and in DPSK or QAM, an unscrambled repetitive double dibit pattern of 00 and 11 at 1200 bit/s (S1) is sent.				
D5	Call Init		0	DEMODO mode: The DSP is setup to do demodulation and pattern detection based on the various mode bits. Both answer tones are detected in demod mode concurrently (wide band detection); TR-D0 is ignored.				
			1	CALL INIT mode: The DSP decodes unscrambled mark, answer tone and call progress tones.				
D6	Special Register Access		0	Normal CR3 access.				
			1	Setting this bit and addressing CR3 allows access to the SPECIAL REGISTER. See the SPECIAL REGISTER for details.				
D7	Not used at this time		0	Only write zero to this bit.				

**CONTROL REGISTER 3**

CR3 101	D7	D6	D5	D4	D3	D2	D1	D0	
	TXDALT	TRISTATE TX/RXCLK	0	RECEIVE BOOST ENABLE	TRANSMIT ATTEN. 3	TRANSMIT ATTEN. 2	TRANSMIT ATTEN. 1	TRANSMIT ATTEN. 0	
BIT NO.	NAME		CONDITION				DESCRIPTION		
D3, D2, D1,D0	Transmit Attenuator		D3 D2 D1 D0				Sets the attenuation level of the transmitted signal in 1dB steps. The default (D3-D0=0100) is for a transmit level of -10 dBm0 on the line with the recommended hybrid transmit gain. The total range is 16 dB.		
			0 0 0 0						
			1 1 1 1						
D4	Receive Gain Boost		0				18 dB receive front end boost is not used.		
			1				Boost is in the path. This boost does not change reference levels. It is used to extend dynamic range by compensating for internally generated noise when receiving weak signals. The receive level detect signal and knowledge of the hybrid and transmit attenuator setting will determine when boost should be enabled.		
Not used at this time									
D5			0				Only write zero to this bit.		
D6	TRISTATE TXCLK/RXCLK		0				TXCLK and RXCLK are driven.		
			1				TXCLK and RXCLK are tri-stated.		
D7	TXDALT		Spec. Reg. Bit D3=1				Alternate TX data source. See Special Register.		

**DATA SHEET**

**SPECIAL REGISTER**

SR 101	D7 0	D6 TXBAUD CLOCK	D5 RXUN- DSCR DATA	D4 0	D3 TXD SOURCE	D2 SIGNAL QUALITY LEVEL SELECT1	D1 SIGNAL QUALITY LEVEL SELECT0	D0 0
<b>BIT NO.</b>	<b>NAME</b>		<b>DESCRIPTION</b>					
D7, D4, D0			NOT USED AT THIS TIME. Only write ZEROs to these bits.					
D6	TXBAUD CLK		TXBAUD clock is the transmit baud-synchronous clock that can be used to synchronize the input of arbitrary quad/di-bit patterns. The rising edge of TXBAUD signals the latching of a baud-worth of data internally. Synchronous data to be entered via the TXDALT bit, CR3 bit D7, should have data transitions that start 1/2 bit period delayed from the TXBAUD clock edges.					
D5	RXUNDSCR DATA		This bit outputs the data received before going to the descrambler. This is useful for sending special unscrambled patterns that can be used for signaling.					
D3	TXD SOURCE		This bit selects the transmit data source; either the TXD pin if ZERO or the TXDALT if this bit is a ONE. The TRANSMIT PATTERN bits D7 and D6 in CR1 override either of these sources.					
D2, D1	SIGNAL QUALITY LEVEL SELECT		The signal quality indicator is a logical ZERO when the signal received is acceptable for low error rate reception. It is determined by the value of the Mean Squared Error (MSE) calculated in the decision process when compared to a given threshold. This threshold can be set to four levels of error rate. The SQI bit will be low for good or average connections. As the error rate crosses the threshold setting, the SQI bit will toggle at a 1.66 ms rate. Toggling will continue until the error rate indicates that the data pump has lost convergence and a retrain is required. At that point the SQI bit will be a ONE constantly. The SQI bit and threshold selection are valid for QAM and DPSK only and indicates typical error rate.					
	<b>D2</b>	<b>D1</b>	<b>THRESHOLD VALUE</b>		<b>UNITS</b>			
	0	0	$10^{-5}$		BER (default)			
	0	1	$10^{-6}$		BER			
	1	0	$10^{-4}$		BER			
	1	1	$10^{-3}$		BER			

NOTE: This register is "mapped" and is accessed by setting CR2 bit D6 to a ONE and addressing CR3. This register provides functions to the 73K224L user that are not necessary in normal communications. Bits D7-D4 are read only, while D3-D0 are read/write. To return to normal CR3 access, CR2 bit D6 must be returned to a ZERO.

**DATA SHEET**

**ID REGISTER**

	D7	D6	D5	D4	D3	D2	D1	D0
ID 110	ID 3	ID 2	ID 1	ID 0	X	X	X	1
BIT NO.	NAME		CONDITION		DESCRIPTION			
D7, D6, D5, D4	Device Identification Signature		D7 D6 D5 D4	Indicates Device:				
			0 0 X X	73K212AL, 73K321L or 73K322L				
			0 1 X X	73K221AL or 73K302L				
			1 0 X X	73K222AL, 73K222BL				
			1 1 0 0	73K224L				
			1 1 1 0	73K324L				
			1 1 0 0	73K224BL				
			1 1 1 0	73K324BL				
D3-D1	Not Used		Undefined		Mask in software			
D0	Version		1		Indicates industrial temperature version			

**DATA SHEET**

**ELECTRICAL SPECIFICATIONS**

**ABSOLUTE MAXIMUM RATINGS**

PARAMETER	RATING
VDD Supply Voltage	7V
Storage Temperature	-65 to 150°C
Soldering Temperature (10 sec.)	260°C
Applied Voltage	-0.3 to VDD+0.3V
Note: All inputs and outputs are protected from static charge using built-in, industry standard protection devices and all outputs are short-circuit protected.	

**RECOMMENDED OPERATING CONDITIONS**

PARAMETER	CONDITION	MIN	NOM	MAX	UNIT
VDD Supply voltage		4.5	5	5.5	V
<b>External Components</b> (Refer to Application section for placement.)					
VREF Bypass capacitor	(VREF to GND)	0.22			μF
Bias setting resistor	(Placed between VDD and ISET pins)	1.8	2	2.2	MΩ
ISET Bypass capacitor	(ISET pin to GND)	0.22			μF
VDD Bypass capacitor 1	(VDD to GND)	0.22			μF
VDD Bypass capacitor 2	(VDD to GND)	22			μF
XTL1 Load Capacitance	Depends on crystal requirements		18	39	pF
XTL2 Load Capacitance	Depends on crystal requirements		18	27	pF
Clock Variation	(11.0592 MHz) Crystal or external clock	-0.01		+0.01	%
TA, Operating Free-Air Temperature		-40		85	°C

**DATA SHEET**
**DC ELECTRICAL CHARACTERISTICS**

(TA = -40°C to 85°C, VDD = recommended range unless otherwise noted.)

PARAMETER	CONDITION	MIN	NOM	MAX	UNIT
<b>IDD, Supply Current</b>	CLK = 11.0592 MHz ISET Resistor = 2 MΩ				
IDD1, Active	Operating with crystal oscillator, < 5 pF capacitive load on CLK pin		18	25	mA
IDD2, Idle			3	5	mA
<b>Digital Inputs</b>					
VIL, Input Low Voltage				0.8	V
VIH, Input High Voltage					
All Inputs except Reset XTL1, XTL2		2.0		VDD	V
Reset, XTL1, XTL2		3.0		VDD	V
IIH, Input High Current	VI = VDD			100	μA
IIL, Input Low Current	VI = 0V	-200			μA
Reset Pull-down Current	Reset = VDD	2		50	μA
<b>Digital Outputs</b>					
VOH, Output High Voltage	IO = IOH Min IOUT = -0.4 mA	2.4		VDD	V
VOL, Output Low Voltage	IO = IOUT = 1.6 mA			0.4	V
RXD Tri-State Pull-up Current.	RXD = GND	-2		-50	μA
<b>Capacitance</b>					
CLK	Maximum permitted load			25	pF
Input Capacitance	All digital inputs			10	pF

**DATA SHEET**
**ELECTRICAL SPECIFICATIONS** (continued)

**DYNAMIC CHARACTERISTICS AND TIMING**

(TA = -40°C to +85°C, VDD = recommended range unless otherwise noted.)

PARAMETER	CONDITION	MIN	NOM	MAX	UNIT
<b>QAM/DPSK Modulator</b>					
Carrier Suppression	Measured at TXA	35			dB
Output Amplitude	TX scrambled marks ATT = 0100 (default)	-11.5	-10.0	-9	dBm0
<b>FSK Modulator/Demodulator</b>					
Output Freq. Error	CLK = 11.0592 MHz	-0.31		+0.20	%
Transmit Level	ATT = 0100 (Default) Transmit Dotting Pattern	-11.5	-10.0	-9	dBm0
TXA Output Distortion	All products through BPF			-45	dB
Output Bias Distortion at RXD	Dotting Pattern measured at RXD Receive Level -20 dBm, SNR 20 dB	-10		+10	%
Output Jitter at RXD	Integrated for 5 seconds	-15		+15	%
Sum of Bias Distortion and Output Jitter	Integrated for 5 seconds	-17		+17	%
<b>Answer Tone Generator (2100 or 2225 Hz)</b>					
Output Amplitude	ATT = 0100 (Default Level) Not in V.21	-11.5	-10	-9	dBm0
Output Distortion	Distortion products in receive band			-40	dB
<b>DTMF Generator</b> Not in V.21					
Freq. Accuracy		-0.03		+0.25	%
Output Amplitude	Low Band, ATT = 0100, DPSK Mode	-10		-8	dBm0
Output Amplitude	High Band, ATT = 0100, DPSK Mode	-8		-6	dBm0
Twist	High-Band to Low-Band, DPSK Mode	1.0	2.0	3.0	dB
<b>Receiver Dynamic Range</b>	Refer to Performance Curves	-43		-3.0	dBm0
<b>Call Progress Detector</b> In Call Init mode					
Detect Level	460 Hz test signal	-34		0	dBm0
Reject Level				-40	dBm0
Delay Time	-70 dBm0 to -30 dBm0 STEP			25	ms
Hold Time	-30 dBm0 to -70 dBm0 STEP			25	ms

NOTE: Parameters expressed in dBm0 refer to the following definition:

0 dB loss in the Transmit path from TXA to the line.

2 dB gain in the Receive path from the line to RXA.

Refer to the Basic Box Modem diagram in the Applications section for the DAA design.



**DATA SHEET**
**DYNAMIC CHARACTERISTICS AND TIMING** (continued)

PARAMETER	CONDITION	MIN	NOM	MAX	UNIT	
<b>Carrier Detect</b>		<b>Receive Gain = On for lower input level measurements</b>				
Threshold	All Modes	-48		-43	dBm0	
Hysteresis	All Modes		2			
Delay Time	FSK	70 dBm0 to -6 dBm0	25		37	ms
		70 dBm0 to -40 dBm0	25		37	ms
	DPSK	-70 dBm0 to -6 dBm0	7		17	ms
		-70 dBm0 to -40 dBm0	7		17	ms
	QAM	-70 dBm0 to -6 dBm0	25		37	ms
		-70 dBm0 to -40 dBm0	25		37	ms
Hold Time	FSK	-6 dBm0 to -70 dBm0	25		37	ms
		-40 dBm0 to -70 dBm0	15		30	ms
	DPSK	-6 dBm0 to -70 dBm0	20		29	ms
		-40 dBm0 to -70 dBm0	14		21	ms
	QAM	-6 dBm0 to -70 dBm0	25		32	ms
		-40 dBm0 to -70 dBm0	18		28	ms
<b>Answer Tone Detectors</b>		<b>DPSK Mode</b>				
Detect Level		-48		-43	dBm0	
Detect Time	Call Init Mode, 2100 or 2225 Hz	6		50	ms	
Hold Time		6		50	ms	
<b>Pattern Detectors</b>		<b>DPSK Mode</b>				
S1 Pattern	For signals from -6 to -40 dBm0, -6 to -40 dBm0, Demod Mode					
Delay Time		10		55	ms	
Hold Time		10		45	ms	
Unscrambled Mark	For signals from -6 to -40 call Init Mode					
Delay Time		10		45	ms	
Hold Time		10		45	ms	
<b>Receive Level Indicator</b>						
Detect On		-22		-28	dBm0	
Valid after Carrier Detect	DPSK Mode	1	4	7	ms	
<b>Output Smoothing Filter</b>						
Output Impedance	TXA pin		200	300	$\Omega$	
Output load	TXA pin; FSK Single	10			K $\Omega$	
	Tone out for THD = -50 dB in 0.3 to 3.4 kHz range			50	pF	
Maximum Transmitted Energy	4 kHz, Guard Tones off			-35	dBm0	
	10 kHz, Guard Tones off			-55	dBm0	
	12 kHz, Guard Tones off			-65	dBm0	

**DATA SHEET**

**DYNAMIC CHARACTERISTICS AND TIMING** (continued)

PARAMETER	CONDITION	MIN	NOM	MAX	UNIT
<b>Anti Alias Low Pass Filter</b>					
Out of Band Signal Energy (Defines Hybrid Trans- Hybrid loss requirements)	Level at RXA pin with receive Boost Enabled				
	Scrambled data at 2400 bit/s in opposite band			-14	dBm
	Sinusoids out of band			-9	dBm
<b>Transmit Attenuator</b>					
Range of Transmit Level	Default ATT=0100 (-10 dBm0) 1111-0000	-21		-6	dBm0
Step Accuracy		-0.15		+0.15	dB
Output Impedance			200	300	$\Omega$
<b>Clock Noise</b>					
	TXA pin; 153.6 kHz			1.5	mVrms
<b>Carrier Offset</b>					
Capture Range	Originate or Answer		$\pm 5$		Hz
<b>Recovered Clock</b>					
Capture Range	% of frequency (originate or answer)	-0.02		+0.02	%
<b>Guard Tone Generator</b>					
Tone Accuracy	550 Hz		+1.2		%
	1800 Hz		-0.8		
Tone Level (Below QAM/DPSK Output)	550 Hz	-4.5	-3.0	-1.5	dB
	1800 Hz	-7.5	-6.1	-4.5	dB
Harmonic Distortion (700 to 2900 Hz)	550 Hz			-50	dB
	1800 Hz			-50	dB

**DATA SHEET**
**DYNAMIC CHARACTERISTICS AND TIMING** (continued)

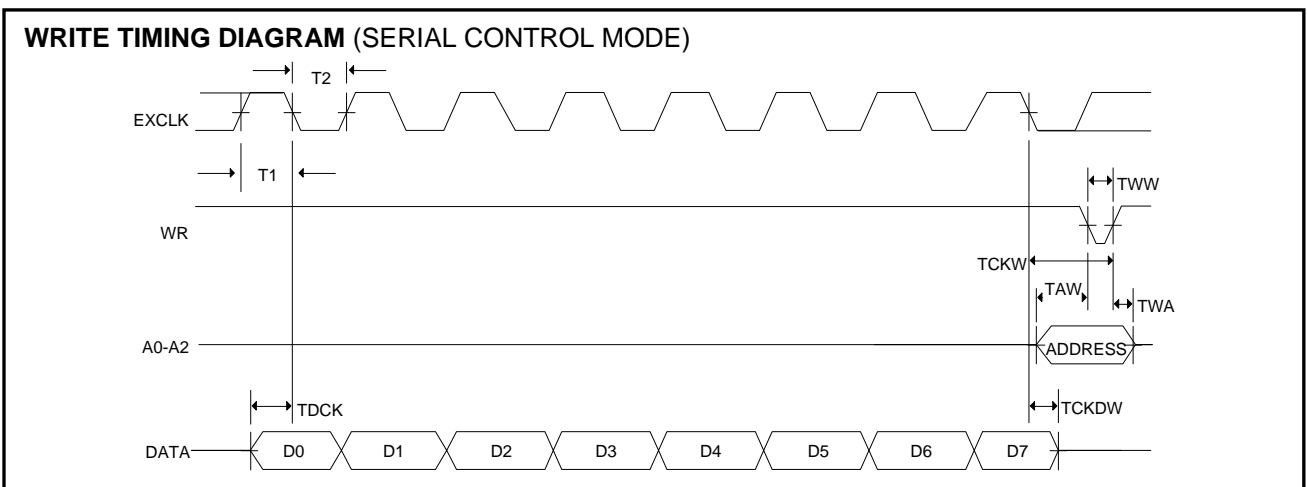
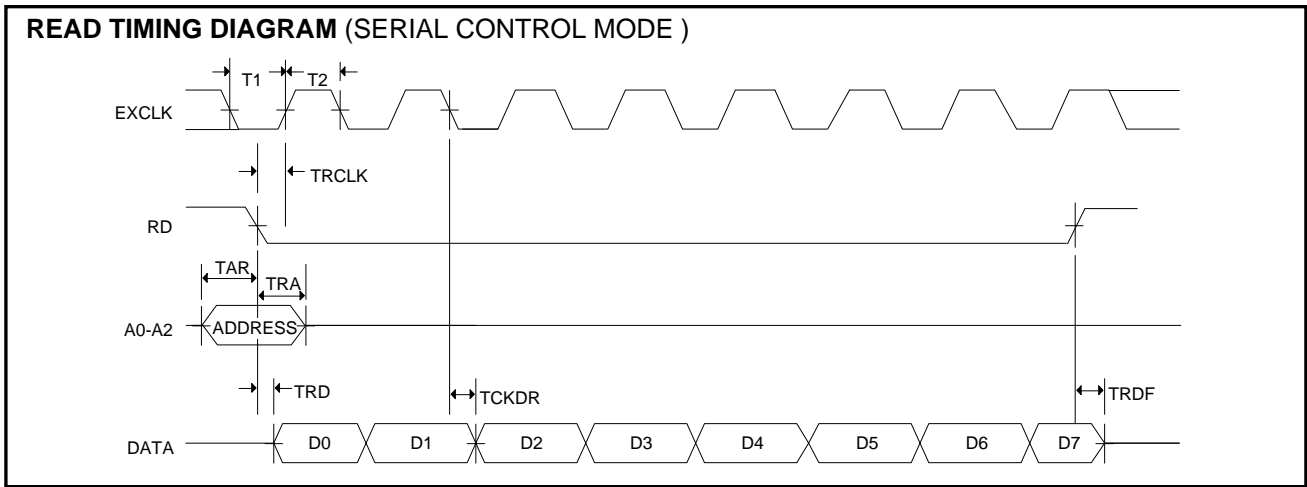
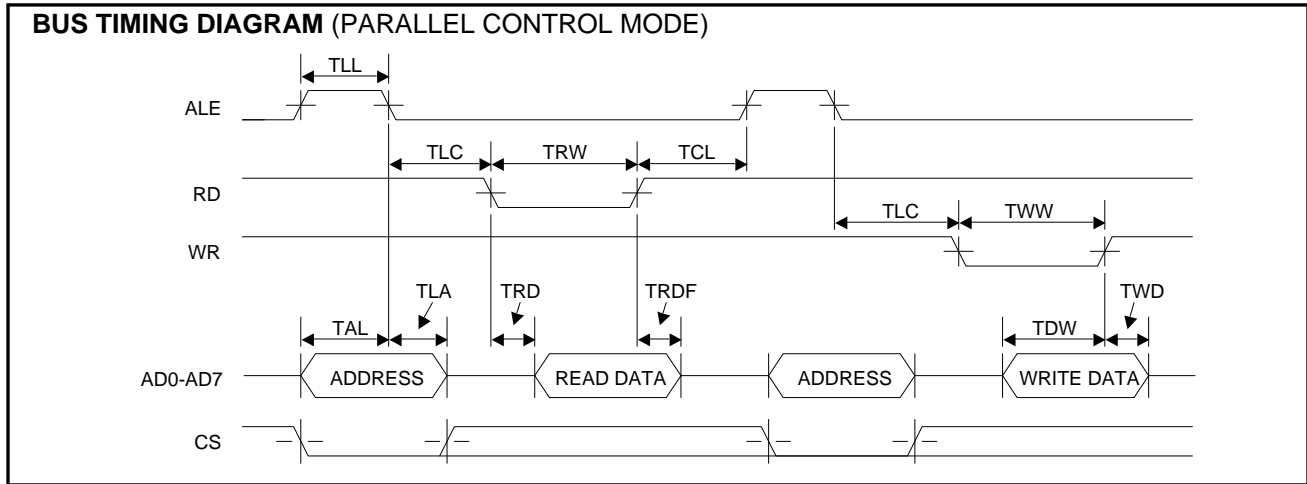
**Timing** (Refer to Timing Diagrams)

PARAMETER	CONDITION	MIN	NOM	MAX	UNIT
<b>Parallel Mode</b>					
TAL	$\overline{CS}/\text{Addr.}$ setup before ALE Low	30			ns
TLA	$\overline{CS}/\text{Addr.}$ hold after ALE Low	6			ns
TLC	ALE Low to $\overline{RD}/\overline{WR}$ Low	40			ns
TCL	$\overline{RD}/\overline{WR}$ Control to ALE High	10			ns
TRD	Data out from $\overline{RD}$ Low			90	ns
TLL	ALE width	25			ns
TRDF	Data float after $\overline{RD}$ High			40	ns
TRW	$\overline{RD}$ width	70			ns
TWW	$\overline{WR}$ width	70			ns
TDW	Data setup before $\overline{WR}$ High	70			ns
TWD	Data hold after $\overline{WR}$ High	20			ns
<b>Serial Mode</b>					
TRCK	Clock High after $\overline{RD}$ Low	250		T1	ns
TAR	Address setup before $\overline{RD}$ Low	0			ns
TRA	Address hold after $\overline{RD}$ Low	350			ns
TRD	$\overline{RD}$ to Data valid			300	ns
TRDF	Data float after $\overline{RD}$ High			40	ns
TCKDR	Read Data out after Falling Edge of EXCLK			300	ns
TWW	$\overline{WR}$ width	350			ns
TAW	Address setup before $\overline{WR}$ Low	50			ns
TWA	Address hold after Rising Edge of $\overline{WR}$	50			ns
TCKDW	Write Data hold after Falling Edge of EXCLK	200			ns
TCKW	$\overline{WR}$ High after Falling Edge of EXCLK	330		T1 + T2	ns
TDCK	Data setup before Falling Edge of EXCLK	50			ns
T1, T2	Minimum Period	500			ns

NOTE: T1 and T2 are the low/high periods, respectively, of EXCLK in serial mode.

NOTE: Asserting ALE,  $\overline{CS}$ , and  $\overline{RD}$  or  $\overline{WR}$  concurrently can cause unintentional register accesses. When using non-8031 compatible processors, care must be taken to prevent this from occurring when designing the interface logic.

**TIMING DIAGRAMS**



**DATA SHEET**

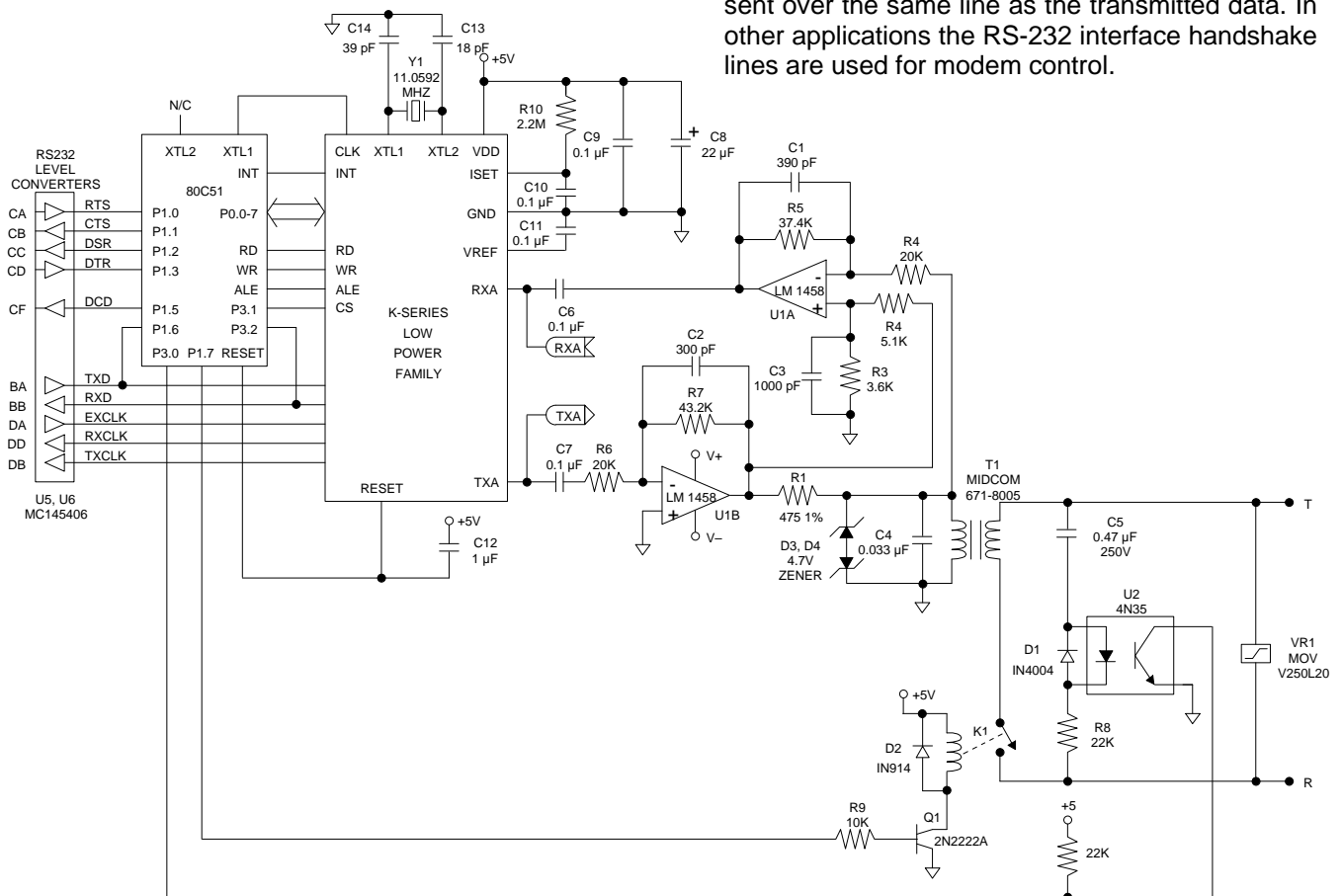
**APPLICATIONS INFORMATION**

**GENERAL CONSIDERATIONS**

Figures 1 and 2 show basic circuit diagrams for K-Series modem integrated circuits. K-Series products are designed to be used in conjunction with a control processor, a UART or RS-232 serial data interface, and a DAA phone line interface to function as a typical intelligent modem. The K-Series ICs interface directly with Intel 8048 and 80C51 microprocessors for control and status monitoring purposes. Two typical DAA arrangements are shown: one for a split  $\pm 5$  or  $\pm 12V$  design and one for a single 5V design. These diagrams are for reference only and do not represent production-ready modem designs.

K-Series devices are available with two control interface versions: one for a parallel multiplexed address/data interface, and one for a serial interface. The parallel version is intended for use with 8039/48 or 8031/51 microcontrollers from Intel or many other manufacturers. The serial interface can be used with other microcontrollers or in applications where only a limited number of port lines are available or the application does not lend itself to a multiplexed address/data interface. The parallel versions may also be used in the serial mode, as explained in the data sheet pin description.

In most applications the controller will monitor the serial data for commands from the DTE and the received data for break signals from the far end modem. In this way, commands to the modem are sent over the same line as the transmitted data. In other applications the RS-232 interface handshake lines are used for modem control.



**FIGURE 1: Basic Box Modem with Dual-Supply Hybrid**

**DATA SHEET**

**DIRECT ACCESS ARRANGEMENT (DAA)**

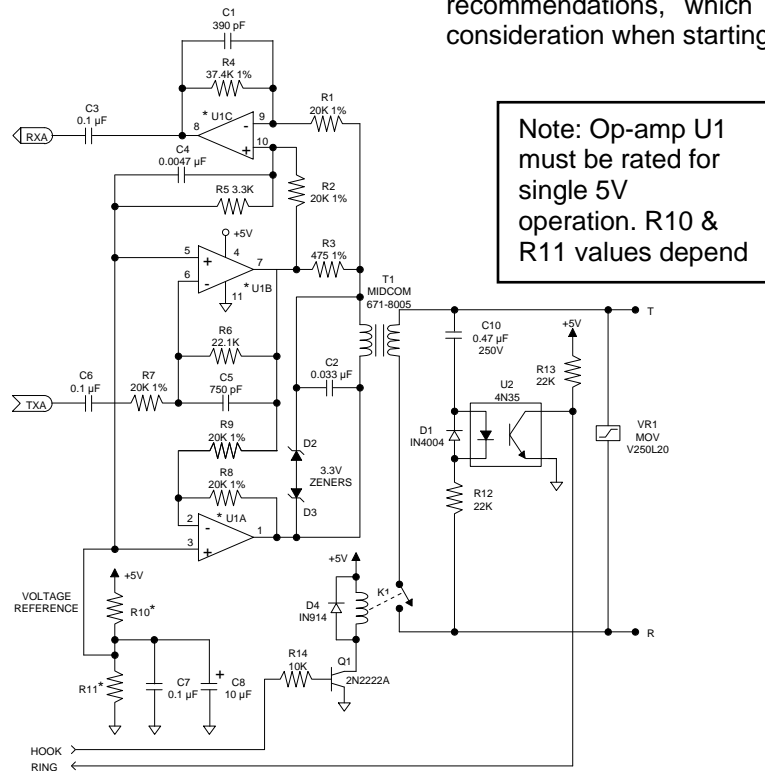
The telephone line interfaces show two examples of how the “hybrid” may be implemented. The split supply design (Figure 1) is a typical two op-amp hybrid. The receive op-amp serves two purposes. It supplies gain to amplify the receive signal to the proper level for the modem’s detectors and demodulator, and it removes the transmitted signal from the receive signal present at the transformer. This is done by supplying a portion of the transmitted signal to the non-inverting input of the receive op-amp at the same amplitude as the signal appearing at the transformer, making the transmit signal common mode.

The single-supply hybrid is more complex than the dual-supply version described above, but its use eliminates the need for a second power supply. This circuit (Figure 2) uses a bridged drive to allow undistorted signals to be sent with a single 5 volt supply. Because DTMF tones utilize a higher amplitude than data, these signals will clip if a single-ended drive approach is used. The bridged driver uses an extra op-amp (U1A) to invert the signal coming from the gain setting op-amp (U1B)

before sending it to the other leg of the transformer. Each op-amp then supplies half the drive signal to the transformer. The receive amplifier (U1C) picks off its signal at the junction of the impedance matching resistor and the transformer. Because the bottom leg of the transformer is being driven in one direction by U1A and the resistor is driven in the opposite direction at the same time by U1B, the junction of the transformer and resistor remains relatively constant and the receive signal is unaffected.

**DESIGN CONSIDERATIONS**

TERIDIAN Semiconductor's 1-chip modem products include all basic modem functions. This makes these devices adaptable for use in a variety of applications, and as easy to control as conventional digital bus peripherals. Unlike digital logic circuitry, modem designs must properly contend with precise frequency tolerances and very low level analog signals, to ensure acceptable performance. Using good analog circuit design practices will generally result in a sound design. Following are additional recommendations, which should be taken into consideration when starting new designs.



**FIGURE 2: Single 5V Hybrid Version**



## CRYSTAL OSCILLATOR

The K-Series crystal oscillator requires a parallel mode (antiresonant) crystal, which operates at 11.0592 MHz. It is important that this frequency be maintained to within  $\pm 0.01\%$  accuracy.

In order for a parallel mode crystal to operate correctly and to specification, it must have a load capacitor connected to the junction of each of the crystal and internal inverter connections, terminated to ground. The values of these capacitors depend primarily on the crystal's characteristics, and to a lesser degree on the internal inverter circuit. The values used affect the accuracy and start up characteristics of the oscillator.

## LAYOUT CONSIDERATIONS

Good analog/digital design rules must be used to control system noise in order to obtain highest performance in modem designs. The more digital circuitry present on the PC board, the more this attention to noise control is needed. The modem should be treated as a high impedance analog device. A 22  $\mu\text{F}$  electrolytic capacitor in parallel with a 0.22  $\mu\text{F}$  ceramic capacitor between VDD and GND is recommended. Liberal use of ground planes and larger traces on power and ground are also highly favored. The ISET resistor and capacitor should be mounted near the ISET pin, away from digital signals. High speed digital circuits tend to generate a significant amount of EMI (Electro-Magnetic Interference), which must be minimized in order to meet regulatory agency limitations. To accomplish this, high speed digital devices should be locally bypassed, and the telephone line interface and K-Series device should be located close to each other near the area of the board where the phone line connection is accessed. To avoid problems, power supply and ground traces should be routed separately to the analog and digital functions on the board, and digital signals should not be routed near low level or high impedance analog traces. The analog and digital grounds should only connect at one point near the K-Series device ground pin to avoid ground loops. The K-Series modem IC's should have both high frequency and low frequency bypassing as close to the package as possible.

## MODEM PERFORMANCE CHARACTERISTICS

The curves presented here define modem IC performance under a variety of line conditions while inducing disturbances that are typical of those encountered during data transmission on public service telephone lines. Test data was taken using an AEA Electronics' "Autotest I" modem test set and line simulator, operating under computer control. All tests were run full-duplex, using a Hayes SmartModem™ 2400 as the reference modem. A 511 pseudo-random-bit pattern was used for each data point. Noise was C-message weighted and all signal-to-noise (S/N) ratios reflect total power measurements similar to the CCITT V.56 measurement specification. The individual tests are defined as follows.

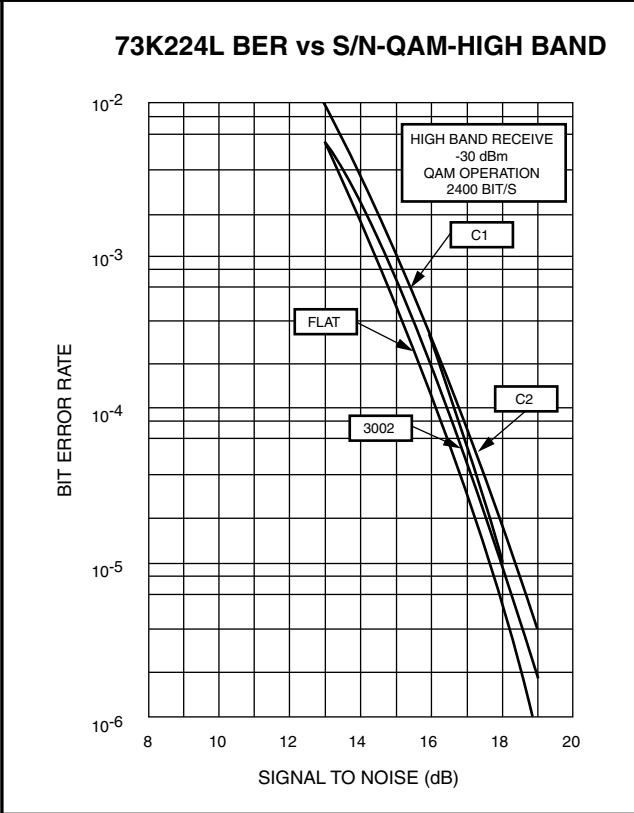
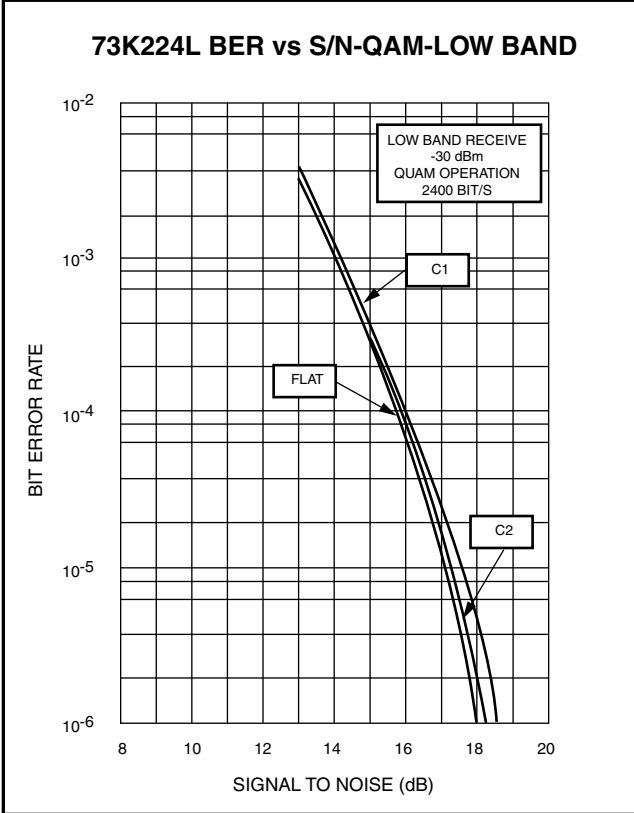
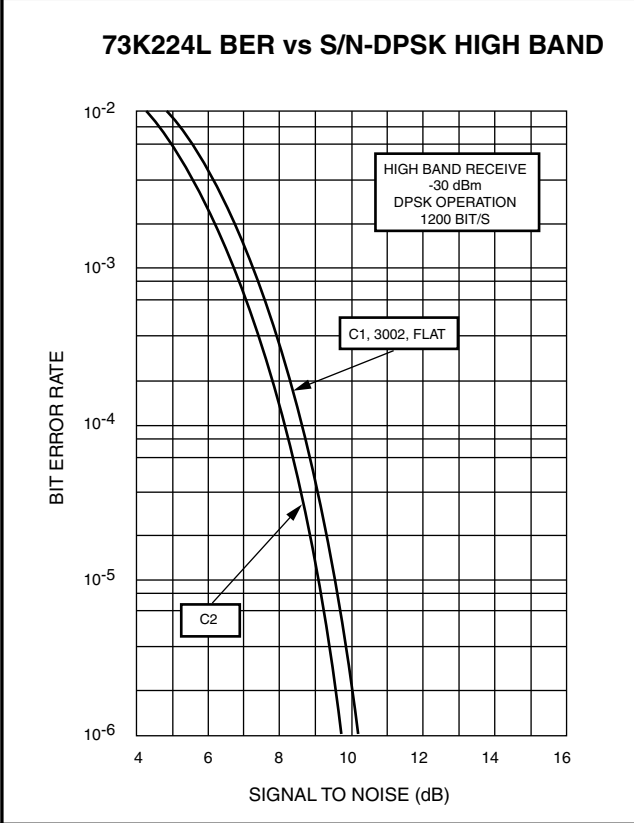
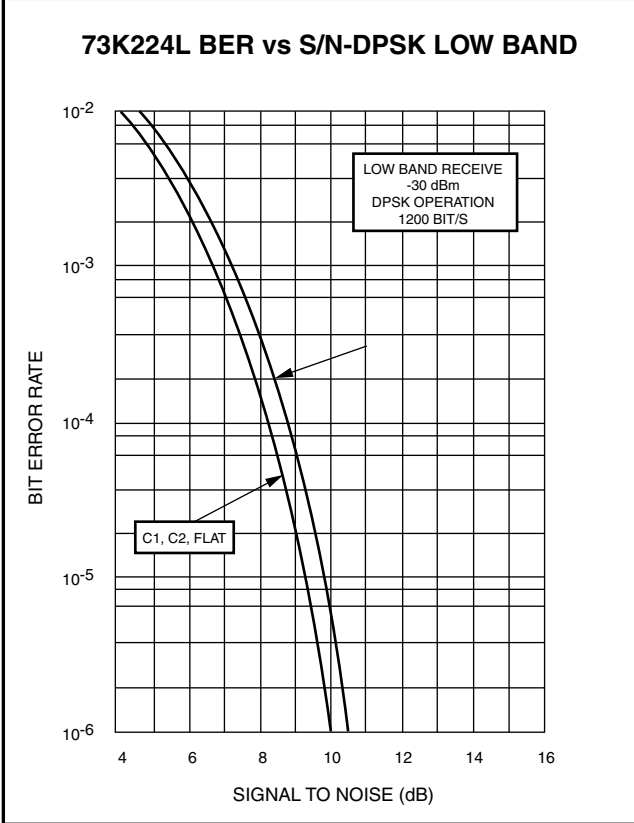
### BER vs. S/N

This test measures the ability of the modem to operate over noisy lines with a minimum of data-transfer errors. Since some noise is generated in the best of dial-up lines, the modem must operate with the lowest S/N ratio possible. Better modem performance is indicated by test curves that are closest to the BER axis. A narrow spread between curves representing the four line parameters indicates minimal variation in performance while operating over a range of aberrant operating conditions. Typically, a modem will exhibit better BER-performance test curves receiving in the low band than in the high band.

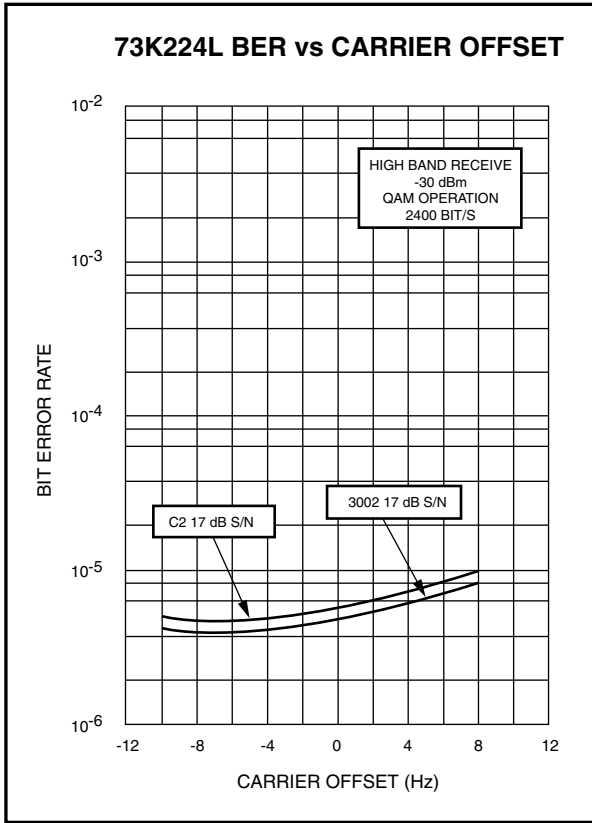
### BER vs. Receive Level

This test measures the dynamic range of the modem. Because signal levels vary widely over dial-up lines, the widest possible dynamic range is desirable. The minimum Bell specification calls for 36 dB of dynamic range. S/N ratios are held constant at the indicated values while the receive level is lowered from a very high to very low signal levels. The width of the "bowl" of these curves, taken at the BER point, is the measure of dynamic range.

**DATA SHEET**



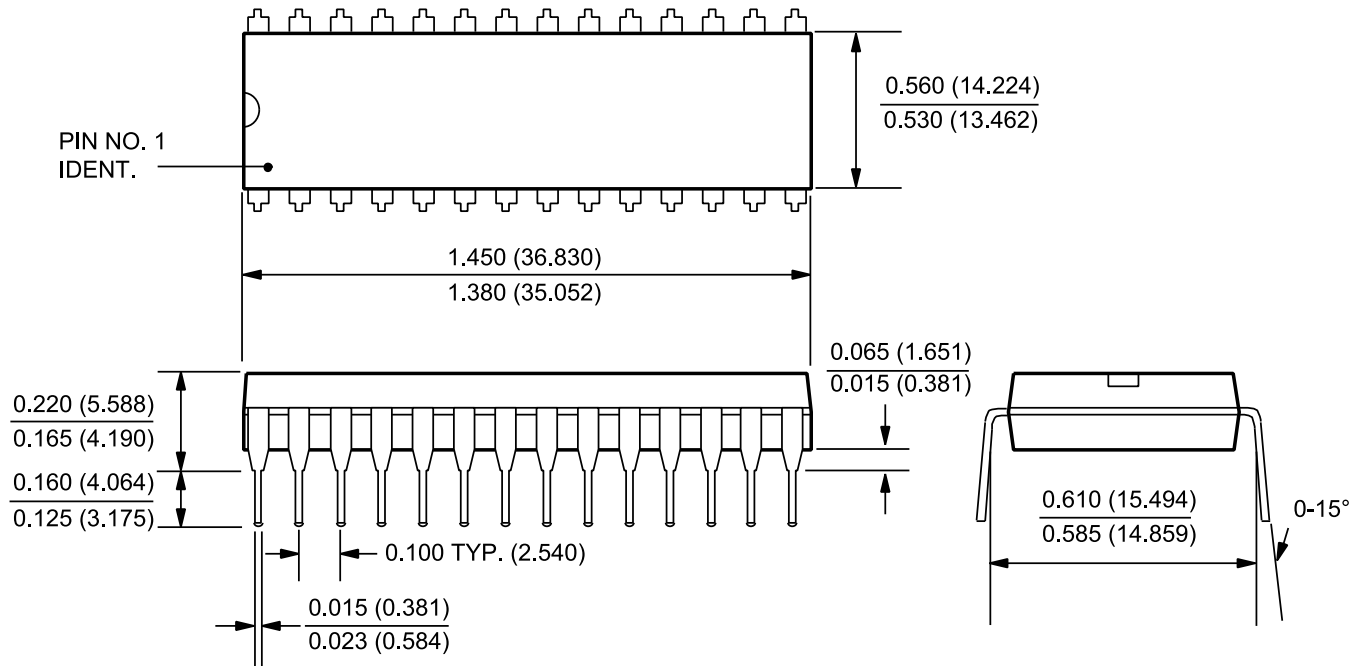
**DATA SHEET**



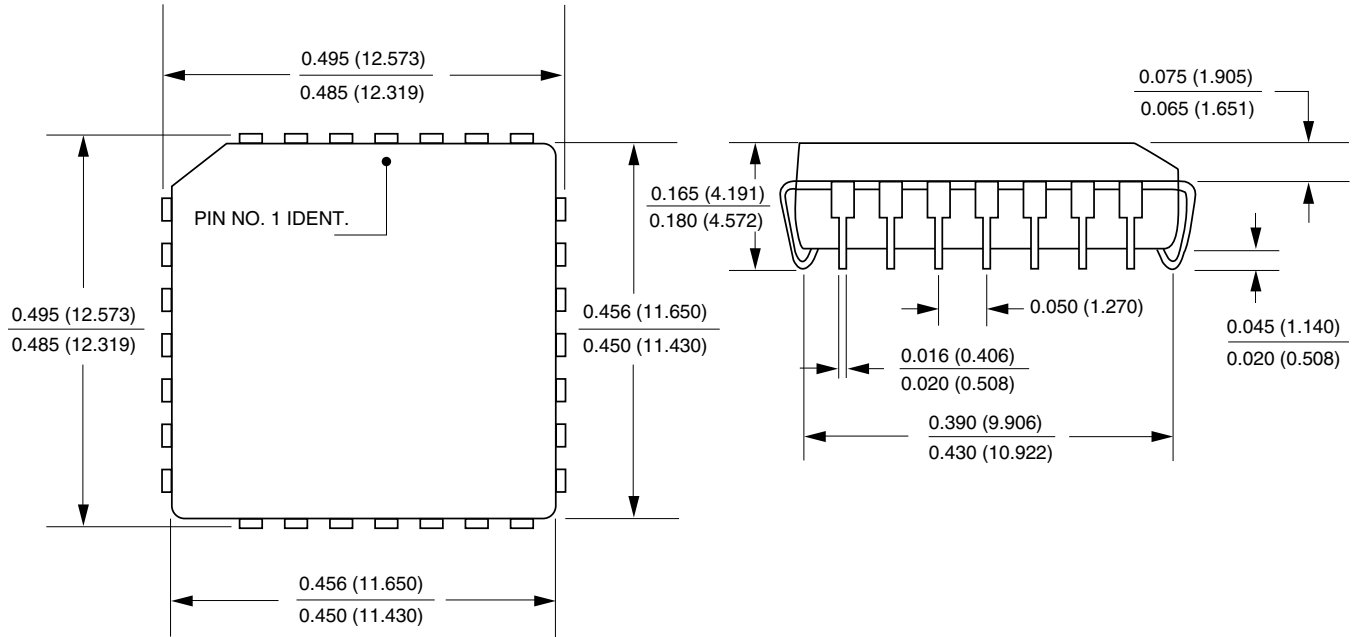
**DATA SHEET**

**MECHANICAL SPECIFICATIONS**

**28-Pin DIP**



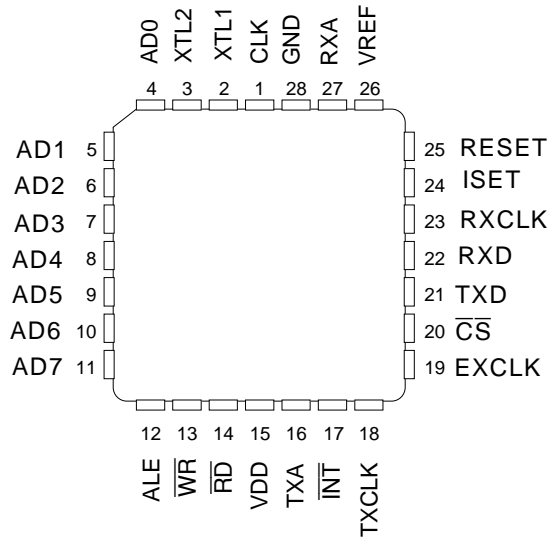
**28-Pin PLCC**



**DATA SHEET**

**PACKAGE PIN DESIGNATIONS**  
(Top View)

CAUTION: Use handling procedures necessary for a static sensitive component.



**28-Pin PLCC**  
**73K224L-28IH**

**ORDERING INFORMATION**

PART DESCRIPTION	ORDER NO.	PACKAGE MARK
73K224L 28-Pin Plastic Lead-Free Chip Carrier	73K224L-28IH/F	73K224L-28IH
73K224L 28-Pin Plastic Lead-Free Tape / Reel	73K224L-28IHR/F	73K224L-28IH

No responsibility is assumed by TERIDIAN Semiconductor Corporation for use of this product nor for any infringements of patents and trademarks or other rights of third parties resulting from its use. No license is granted under any patents, patent rights or trademarks of TERIDIAN Semiconductor Corporation, and the company reserves the right to make changes in specifications at any time without notice. Accordingly, the reader is cautioned to verify that the data sheet is current before placing orders.

TERIDIAN Semiconductor Corporation, 6440 Oak Canyon Rd., Irvine, CA 92618-5201, (714) 508-8800, FAX: (714) 508-8877,  
<http://www.teridiansemi.com>

Protected by the following Patents (4,777,453) (4,789,995) (4,847,868) (4,866,739)  
© 2005, 2008 TERIDIAN Semiconductor Corporation

06/20/08 - rev. 7.1