

DATA SHEET

For a complete data sheet, please also download:

- The IC06 74HC/HCT/HCU/HCMOS Logic Family Specifications
- The IC06 74HC/HCT/HCU/HCMOS Logic Package Information
- The IC06 74HC/HCT/HCU/HCMOS Logic Package Outlines

74HC/HCT03 Quad 2-input NAND gate

Product specification
File under Integrated Circuits, IC06

December 1990

Quad 2-input NAND gate

74HC/HCT03

FEATURES

- Level shift capability
- Output capability: standard (open drain)
- I_{CC} category: SSI

GENERAL DESCRIPTION

The 74HC/HCT03 are high-speed Si-gate CMOS devices and are pin compatible with low power Schottky TTL (LSTTL). They are specified in compliance with JEDEC standard no. 7A.

The 74HC/HCT03 provide the 2-input NAND function.

The 74HC/HCT03 have open-drain N-transistor outputs, which are not clamped by a diode connected to V_{CC} . In the OFF-state, i.e. when one input is LOW, the output may be pulled to any voltage between GND and V_{Omax} . This allows the device to be used as a LOW-to-HIGH or HIGH-to-LOW level shifter. For digital operation and OR-tied output applications, these devices must have a pull-up resistor to establish a logic HIGH level.

QUICK REFERENCE DATA

GND = 0 V; $T_{amb} = 25\text{ }^{\circ}\text{C}$; $t_r = t_f = 6\text{ ns}$

SYMBOL	PARAMETER	CONDITIONS	TYPICAL		UNIT
			HC	HCT	
t_{PZL}/t_{PLZ}	propagation delay	$C_L = 15\text{ pF}$; $R_L = 1\text{ k}\Omega$; $V_{CC} = 5\text{ V}$	8	10	ns
C_I	input capacitance		3.5	3.5	pF
C_{PD}	power dissipation capacitance per gate	notes 1, 2 and 3	4.0	4.0	pF

Notes

1. C_{PD} is used to determine the dynamic power dissipation (P_D in μW):

$$P_D = C_{PD} \times V_{CC}^2 \times f_i + \sum (C_L \times V_{CC}^2 \times f_o) + \sum (V_O^2/R_L) \times \text{duty factor LOW, where:}$$

f_i = input frequency in MHz

f_o = output frequency in MHz

V_O = output voltage in V

C_L = output load capacitance in pF

V_{CC} = supply voltage in V

R_L = pull-up resistor in $M\Omega$

$\sum (C_L \times V_{CC}^2 \times f_o)$ = sum of outputs

$\sum (V_O^2/R_L)$ = sum of outputs

2. For HC the condition is $V_I = \text{GND to } V_{CC}$
For HCT the condition is $V_I = \text{GND to } V_{CC} - 1.5\text{ V}$
3. The given value of C_{PD} is obtained with:
 $C_L = 0\text{ pF}$ and $R_L = \infty$

ORDERING INFORMATION

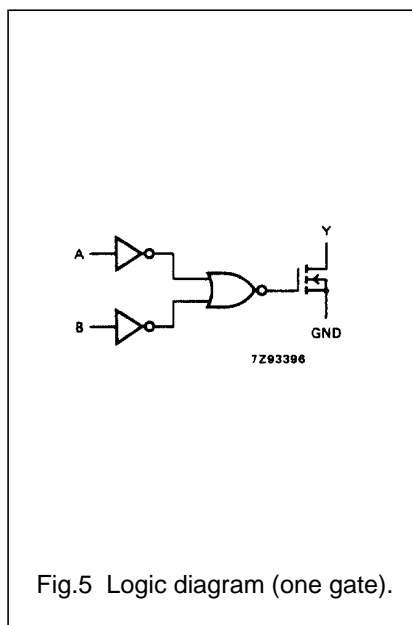
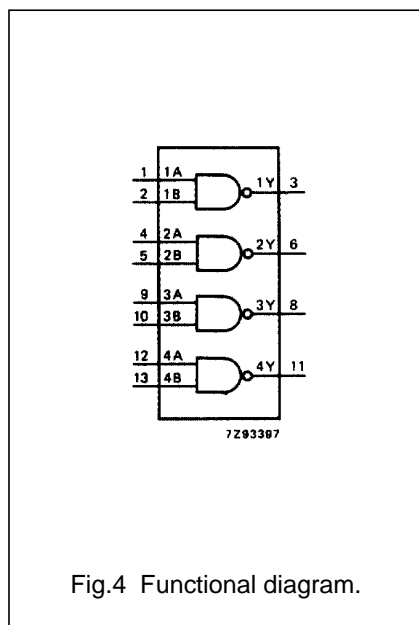
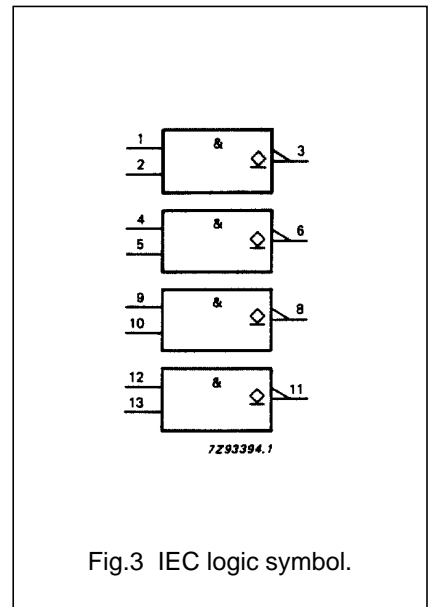
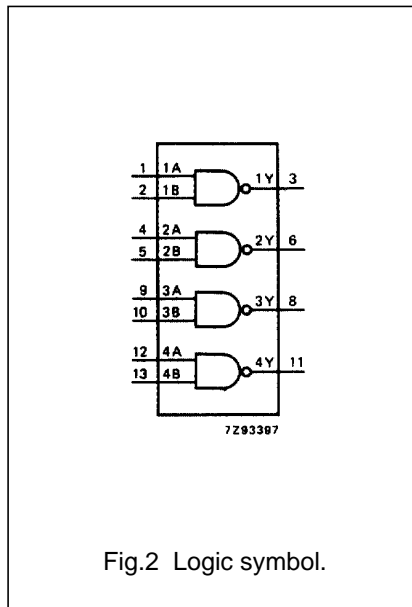
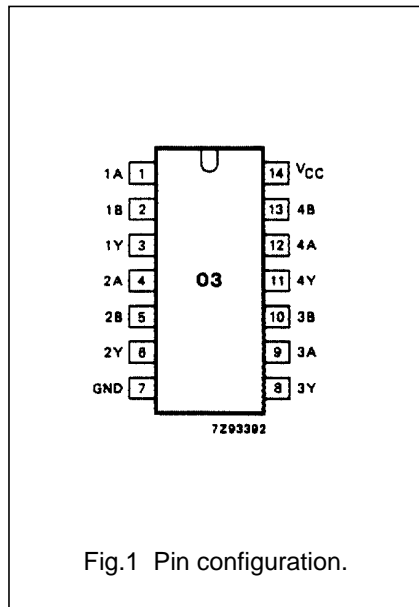
See "74HC/HCT/HCU/HCMOS Logic Package Information".

Quad 2-input NAND gate

74HC/HCT03

PIN DESCRIPTION

PIN NO.	SYMBOL	NAME AND FUNCTION
1, 4, 9, 12	1A to 4A	data inputs
2, 5, 10, 13	1B to 4B	data inputs
3, 6, 8, 11	1Y to 4Y	data outputs
7	GND	ground (0 V)
14	V _{CC}	positive supply voltage



FUNCTION TABLE

INPUTS		OUTPUT
nA	nB	nY
L	L	Z
L	H	Z
H	L	Z
H	H	L

Note

- H = HIGH voltage level
L = LOW voltage level
Z = high impedance OFF-state

Quad 2-input NAND gate

74HC/HCT03

RATINGS

Limiting values in accordance with the Absolute Maximum System (IEC 134)

Voltages are referenced to GND (ground = 0 V)

SYMBOL	PARAMETER	MIN.	MAX.	UNIT	CONDITIONS
V_{CC}	DC supply voltage	-0.5	+7	V	
V_O	DC output voltage	-0.5	+7	V	
I_{IK}	DC input diode current		20	mA	for $V_I < -0.5$ V or $V_I > V_{CC} + 0.5$ V
$-I_{OK}$	DC output diode current		20	mA	for $V_O < -0.5$ V
$-I_O$	DC output sink current		25	mA	for -0.5 V $< V_O$
$\pm I_{CC};$ $\pm I_{GND}$	DC VCC or GND current		50	mA	
T_{stg}	storage temperature range	-65	+150	°C	
P_{tot}	power dissipation per package				for temperature range; -40 to +125 °C 74HC/HCT
	plastic DIL		750	mW	above +70 °C: derate linearly with 12 mW/K
	plastic mini-pack (SO)		500	mW	above +70 °C: derate linearly with 8 mW/K

Quad 2-input NAND gate

74HC/HCT03

DC CHARACTERISTICS FOR 74HC

For the DC characteristics see *"74HC/HCT/HCU/HCMOS Logic Family Specifications"*, except that the V_{OH} values are not valid for open drain. They are replaced by I_{OZ} as given below.

Output capability: standard (open drain), excepting V_{OH}

I_{CC} category: SSI

Voltages are referenced to GND (ground = 0 V)

SYMBOL	PARAMETER	T_{amb} (°C)							UNIT	TEST CONDITIONS		
		74HC								V_{CC} (V)	V_I	OTHER
		+25			-40 to +85		-40 to +125					
		min.	typ.	max.	min.	max.	min.	max.				
I_{OZ}	HIGH level output leakage current			0.5		5.0		10.0	μA	2.0 to 6.0	V_{IL}	$V_O = V_{O(max)}^{(1)}$ or GND

Note

1. The maximum operating output voltage ($V_{O(max)}$) is 6.0 V.

AC CHARACTERISTICS FOR 74HC

GND = 0 V; $t_r = t_f = 6$ ns; $C_L = 50$ pF

SYMBOL	PARAMETER	T_{amb} (°C)							UNIT	TEST CONDITIONS	
		74HC								V_{CC} (V)	WAVEFORMS
		+25			-40 to +85		-40 to +125				
		min.	typ.	max.	min.	max.	min.	max.			
$t_{PZL}/$ t_{PLZ}	propagation delay nA, nB to nY		28 10 8	95 19 16		120 24 20		145 29 25	ns	2.0 4.5 6.0	Fig.6
t_{THL}	output transition time		19 7 6	75 15 13		95 19 16		110 22 19	ns	2.0 4.5 6.0	Fig.6

Quad 2-input NAND gate

74HC/HCT03

DC CHARACTERISTICS FOR 74HCT

For the DC characteristics see *"74HC/HCT/HCU/HCMOS Logic Family Specifications"*, except that the V_{OH} values are not valid for open drain. They are replaced by I_{OZ} as given below.

Output capability: standard (open drain), excepting V_{OH}

I_{CC} category: SSI

Voltages are referenced to GND (ground = 0 V)

SYMBOL	PARAMETER	T_{amb} (°C)							UNIT	TEST CONDITIONS		
		74HCT								V_{CC} (V)	V_I	OTHER
		+25			-40 to +85		-40 to +125					
		min.	typ.	max.	min.	max.	min.	max.				
I_{OZ}	HIGH level output leakage current			0.5		5.0		10.0	μA	4.5 to 5.5	V_{IL}	$V_O = V_{O(max)}^{(1)}$ or GND

Note

- The maximum operating output voltage ($V_{O(max)}$) is 6.0 V.

Note to HCT types

The value of additional quiescent supply current (ΔI_{CC}) for a unit load of 1 is given in the family specifications. To determine ΔI_{CC} per input, multiply this value by the unit load coefficient shown in the table below.

INPUT	UNIT LOAD COEFFICIENT
nA, nB	1.0

AC CHARACTERISTICS FOR 74HCT

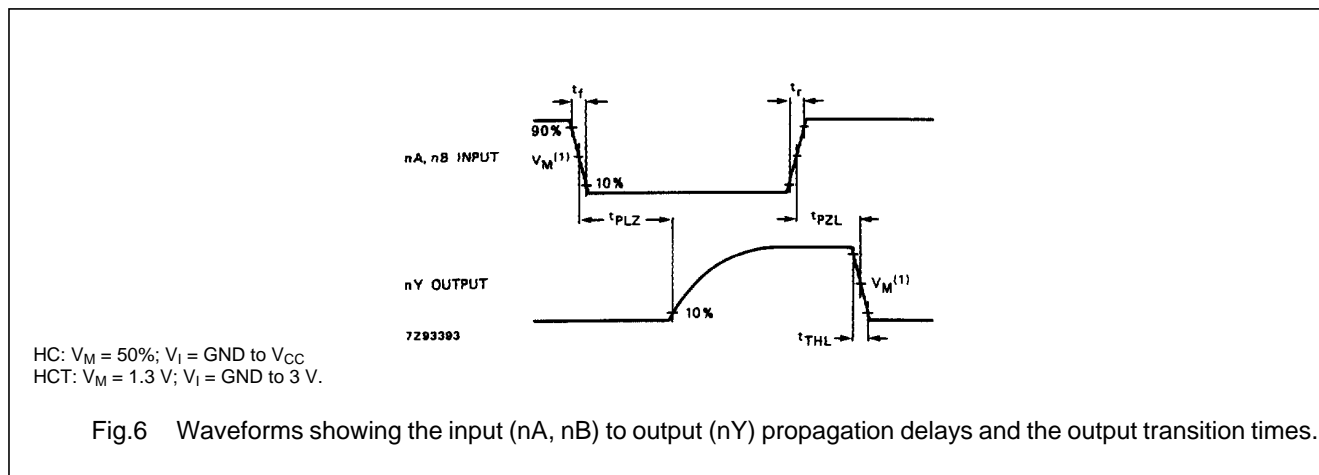
GND = 0 V; $t_r = t_f = 6$ ns; $C_L = 50$ pF

SYMBOL	PARAMETER	T_{amb} (°C)							UNIT	TEST CONDITIONS	
		74HCT								V_{CC} (V)	WAVEFORMS
		+25			-40 to +85		-40 to +125				
		min.	typ.	max.	min.	max.	min.	max.			
t_{PZL} / t_{PLZ}	propagation delay nA, nB, to nY		12	24		30		36	ns	4.5	Fig.6
t_{THL}	output transition time		7	15		19		22	ns	4.5	Fig.6

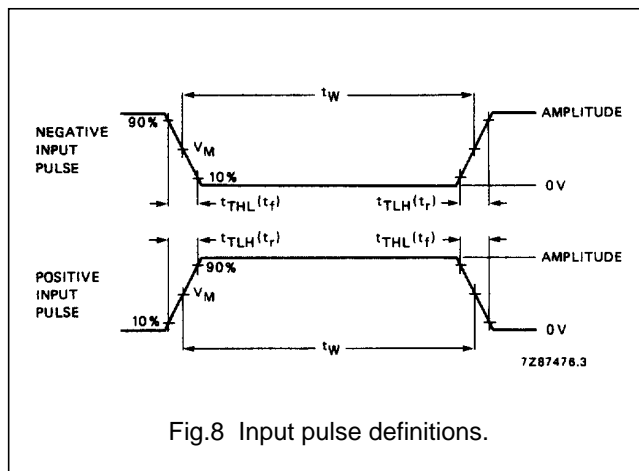
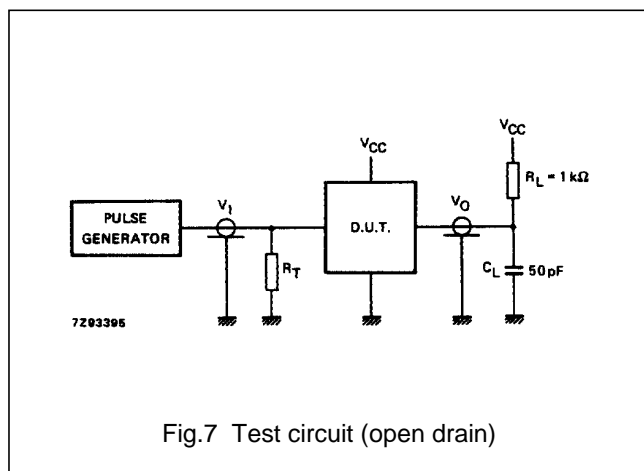
Quad 2-input NAND gate

74HC/HCT03

AC WAVEFORMS



TEST CIRCUIT AND WAVEFORMS



Definitions for Figs. 7, 8:

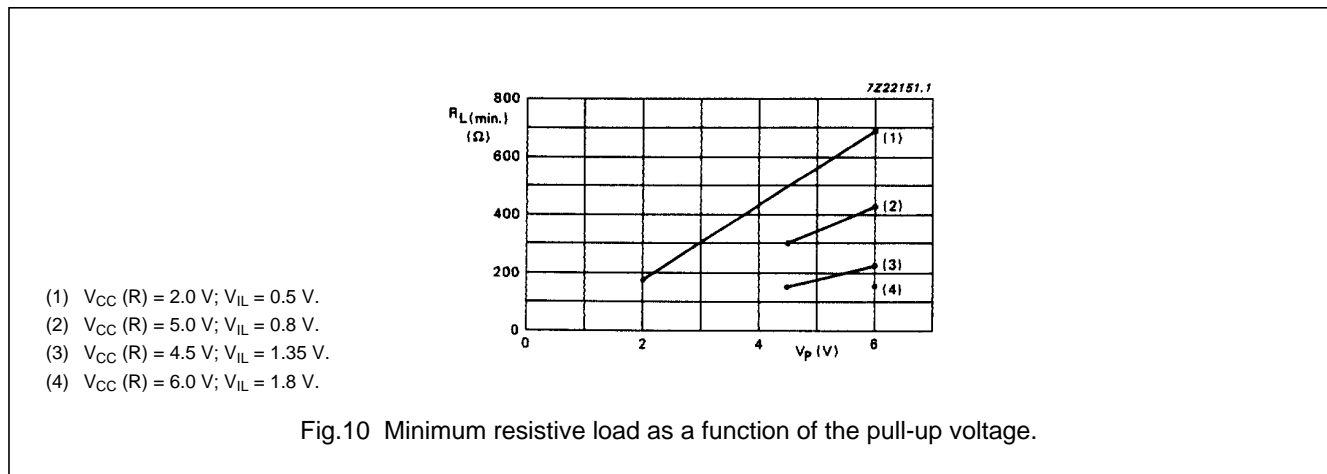
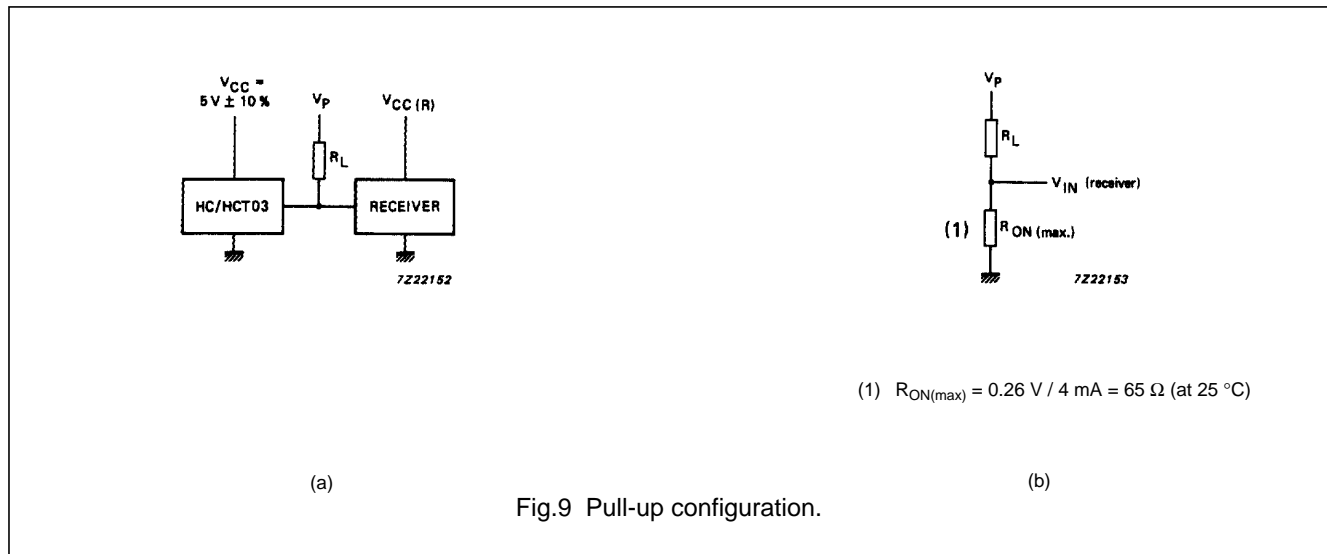
- C_L = load capacitance including jig and probe capacitance (see AC CHARACTERISTICS for values).
- R_T = termination resistance should be equal to the output impedance Z_O of the pulse generator.
- t_r = $t_f = 6 \text{ ns}$; when measuring f_{max} , there is no constraint on t_r , t_f with 50% duty factor.

FAMILY	AMPLITUDE	V_M	$t_r; t_f$	
			$f_{max};$ PULSE WIDTH	OTHER
74HC	V_{CC}	50%	< 2 ns	6 ns
74HCT	3.0 V	1.3 V	< 2 ns	6 ns

Quad 2-input NAND gate

74HC/HCT03

APPLICATION INFORMATION



Notes to Figs 9 and 10

If $V_p - V_{CC(R)} > 0.5 \text{ V}$ a positive current will flow into the receiver (as described in the "USER GUIDE"; input/output protection), this will not affect the receiver provided the current does not exceed 20 mA. At $V_{CC} < 4.5 \text{ V}$, $R_{ON(max)}$ is not guaranteed; $R_{ON(max)}$ can be estimated using Figs 33 and 34 in the "USER GUIDE".

Note to Application information

All values given are typical unless otherwise specified.

PACKAGE OUTLINES

See "74HC/HCT/HCU/HCMOS Logic Package Outlines".