

## 74LCX86

### Low Voltage Quad 2-Input Exclusive-OR Gate with 5V Tolerant Inputs

#### General Description

The LCX86 contains four 2-input exclusive-OR gates. The inputs tolerate voltages up to 7V allowing the interface of 5V systems to 3V systems.

The 74LCX86 is fabricated with advanced CMOS technology to achieve high speed operation while maintaining CMOS low power dissipation.

#### Features

- 5V tolerant inputs
- 2.3V–3.6V  $V_{CC}$  specifications provided
- 6.5 ns  $t_{PD}$  max ( $V_{CC} = 3.3V$ ), 10  $\mu A$   $I_{CC}$  max
- Power down high impedance inputs and outputs
- $\pm 24$  mA output drive ( $V_{CC} = 3.0V$ )
- Implements patented noise/EMI reduction circuitry
- Latch-up performance exceeds 500 mA
- ESD performance:
  - Machine model > 2000V
  - Human model > 200V

#### Ordering Code:

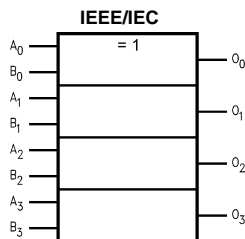
| Order Number               | Package Number | Package Description                                                                 |
|----------------------------|----------------|-------------------------------------------------------------------------------------|
| 74LCX86M                   | M14A           | 14-Lead Small Outline Integrated Circuit (SOIC), JEDEC MS-012, 0.150" Narrow        |
| 74LCX86SJ                  | M14D           | Pb-Free 14-Lead Small Outline Package (SOP), EIAJ TYPE II, 5.3mm Wide               |
| 74LCX86MTC                 | MTC14          | 14-Lead Thin Shrink Small Outline Package (TSSOP), JEDEC MO-153, 4.4mm Wide         |
| 74LCX86MTCX_NL<br>(Note 1) | MTC14          | Pb-Free 14-Lead Thin Shrink Small Outline Package (TSSOP), JEDEC MO-153, 4.4mm Wide |

Devices also available in Tape and Reel. Specify by appending the suffix letter "X" to the ordering code.

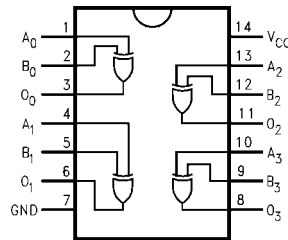
Pb-Free package per JEDEC J-STD-020B.

**Note 1:** "\_NL" indicates Pb-Free package (per JEDEC J-STD-020B). Device available in Tape and Reel only.

#### Logic Symbol



#### Connection Diagram



#### Pin Descriptions

| Pin Names                      | Description |
|--------------------------------|-------------|
| A <sub>0</sub> –A <sub>3</sub> | Inputs      |
| B <sub>0</sub> –B <sub>3</sub> | Inputs      |
| O <sub>0</sub> –O <sub>3</sub> | Outputs     |

| Absolute Maximum Ratings (Note 2) |                                  |                               |                                                          |       |  |
|-----------------------------------|----------------------------------|-------------------------------|----------------------------------------------------------|-------|--|
| Symbol                            | Parameter                        | Value                         | Conditions                                               | Units |  |
| V <sub>CC</sub>                   | Supply Voltage                   | -0.5 to +7.0                  |                                                          | V     |  |
| V <sub>I</sub>                    | DC Input Voltage                 | -0.5 to +7.0                  |                                                          | V     |  |
| V <sub>O</sub>                    | DC Output Voltage                | -0.5 to V <sub>CC</sub> + 0.5 | Output in HIGH or LOW State (Note 3)                     | V     |  |
| I <sub>IK</sub>                   | DC Input Diode Current           | -50                           | V <sub>I</sub> < GND                                     | mA    |  |
| I <sub>OK</sub>                   | DC Output Diode Current          | -50<br>+50                    | V <sub>O</sub> < GND<br>V <sub>O</sub> > V <sub>CC</sub> | mA    |  |
| I <sub>O</sub>                    | DC Output Source/Sink Current    | ±50                           |                                                          | mA    |  |
| I <sub>CC</sub>                   | DC Supply Current per Supply Pin | ±100                          |                                                          | mA    |  |
| I <sub>GND</sub>                  | DC Ground Current per Ground Pin | ±100                          |                                                          | mA    |  |
| T <sub>STG</sub>                  | Storage Temperature              | -65 to +150                   |                                                          | °C    |  |

| Recommended Operating Conditions (Note 4) |                                                                      |                               |                 |       |    |
|-------------------------------------------|----------------------------------------------------------------------|-------------------------------|-----------------|-------|----|
| Symbol                                    | Parameter                                                            | Min                           | Max             | Units |    |
| V <sub>CC</sub>                           | Supply Voltage                                                       | Operating                     | 2.0             | 3.6   | V  |
|                                           |                                                                      | Data Retention                | 1.5             | 3.6   |    |
| V <sub>I</sub>                            | Input Voltage                                                        | 0                             | 5.5             | V     |    |
| V <sub>O</sub>                            | Output Voltage                                                       | 0                             | V <sub>CC</sub> | V     |    |
| I <sub>OH</sub> /I <sub>OL</sub>          | Output Current                                                       | V <sub>CC</sub> = 3.0V - 3.6V |                 | ±24   | mA |
|                                           |                                                                      | V <sub>CC</sub> = 2.7V - 3.0V |                 | ±12   |    |
|                                           |                                                                      | V <sub>CC</sub> = 2.3V - 2.7V |                 | ±8    |    |
| T <sub>A</sub>                            | Free-Air Operating Temperature                                       | -40                           | 85              | °C    |    |
| Δt/ΔV                                     | Input Edge Rate, V <sub>IN</sub> = 0.8V-2.0V, V <sub>CC</sub> = 3.0V | 0                             | 10              | ns/V  |    |

**Note 2:** The Absolute Maximum Ratings are those values beyond which the safety of the device cannot be guaranteed. The device should not be operated at these limits. The parametric values defined in the Electrical Characteristics tables are not guaranteed at the Absolute Maximum Ratings. The "Recommended Operating Conditions" table will define the conditions for actual device operation.

**Note 3:** I<sub>O</sub> Absolute Maximum Rating must be observed.

**Note 4:** Unused inputs must be held HIGH or LOW. They may not float.

### DC Electrical Characteristics

| Symbol           | Parameter                             | Conditions                               | V <sub>CC</sub><br>(V) | T <sub>A</sub> = -40°C to +85°C |      | Units |
|------------------|---------------------------------------|------------------------------------------|------------------------|---------------------------------|------|-------|
|                  |                                       |                                          |                        | Min                             | Max  |       |
| V <sub>IH</sub>  | HIGH Level Input Voltage              |                                          | 2.3 - 2.7              | 1.7                             |      | V     |
|                  |                                       |                                          | 2.7 - 3.6              | 2.0                             |      |       |
| V <sub>IL</sub>  | LOW Level Input Voltage               |                                          | 2.3 - 2.7              |                                 | 0.7  | V     |
|                  |                                       |                                          | 2.7 - 3.6              |                                 | 0.8  |       |
| V <sub>OH</sub>  | HIGH Level Output Voltage             | I <sub>OH</sub> = -100μA                 | 2.3 - 3.6              | V <sub>CC</sub> - 0.2           |      | V     |
|                  |                                       | I <sub>OH</sub> = -8 mA                  | 2.3                    | 1.8                             |      |       |
|                  |                                       | I <sub>OH</sub> = -12 mA                 | 2.7                    | 2.2                             |      |       |
|                  |                                       | I <sub>OH</sub> = -18 mA                 | 3.0                    | 2.4                             |      |       |
|                  |                                       | I <sub>OH</sub> = -24 mA                 | 3.0                    | 2.2                             |      |       |
| V <sub>OL</sub>  | LOW Level Output Voltage              | I <sub>OL</sub> = 100μA                  | 2.3 - 3.6              |                                 | 0.2  | V     |
|                  |                                       | I <sub>OL</sub> = 8mA                    | 2.3                    |                                 | 0.6  |       |
|                  |                                       | I <sub>OL</sub> = 12 mA                  | 2.7                    |                                 | 0.4  |       |
|                  |                                       | I <sub>OL</sub> = 16 mA                  | 3.0                    |                                 | 0.4  |       |
|                  |                                       | I <sub>OL</sub> = 24 mA                  | 3.0                    |                                 | 0.55 |       |
| I <sub>I</sub>   | Input Leakage Current                 | 0 ≤ V <sub>I</sub> ≤ 5.5V                | 2.3 - 3.6              |                                 | ±5.0 | μA    |
| I <sub>OFF</sub> | Power-Off Leakage Current             | V <sub>I</sub> or V <sub>O</sub> = 5.5V  | 0                      |                                 | 10   | μA    |
| I <sub>CC</sub>  | Quiescent Supply Current              | V <sub>I</sub> = V <sub>CC</sub> or GND  | 2.3 - 3.6              |                                 | 10   | μA    |
|                  |                                       | 3.6V ≤ V <sub>I</sub> ≤ 5.5V             | 2.3 - 3.6              |                                 | ±10  |       |
| ΔI <sub>CC</sub> | Increase in I <sub>CC</sub> per Input | V <sub>IH</sub> = V <sub>CC</sub> - 0.6V | 2.3 - 3.6              |                                 | 500  | μA    |

## AC Electrical Characteristics

| Symbol     | Parameter                      | $T_A = -40^{\circ}\text{C to } +85^{\circ}\text{C}, R_L = 500\Omega$ |     |                      |     |                          |     | Units |
|------------|--------------------------------|----------------------------------------------------------------------|-----|----------------------|-----|--------------------------|-----|-------|
|            |                                | $V_{CC} = 3.3V \pm 0.3V$                                             |     | $V_{CC} = 2.7V$      |     | $V_{CC} = 2.5V \pm 0.2V$ |     |       |
|            |                                | $C_L = 50\text{ pF}$                                                 |     | $C_L = 50\text{ pF}$ |     | $C_L = 30\text{ pF}$     |     |       |
|            |                                | Min                                                                  | Max | Min                  | Max | Min                      | Max |       |
| $t_{PHL}$  | Propagation Delay              | 1.5                                                                  | 6.5 | 1.5                  | 7.0 | 1.5                      | 7.8 | ns    |
| $t_{PLH}$  |                                | 1.5                                                                  | 6.5 | 1.5                  | 7.0 | 1.5                      | 7.8 |       |
| $t_{OSHL}$ | Output to Output Skew (Note 5) |                                                                      | 1.0 |                      |     |                          |     | ns    |
| $t_{OSLH}$ |                                |                                                                      | 1.0 |                      |     |                          |     |       |

**Note 5:** Skew is defined as the absolute value of the difference between the actual propagation delay for any two separate outputs of the same device. The specification applies to any outputs switching in the same direction, either HIGH-to-LOW ( $t_{OSHL}$ ) or LOW-to-HIGH ( $t_{OSLH}$ ).

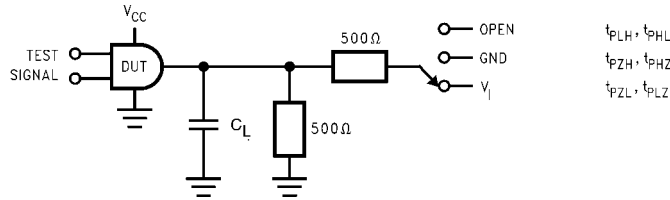
## Dynamic Switching Characteristics

| Symbol    | Parameter                            | Conditions                                                                                           | $V_{CC}$<br>(V) | $T_A = 25^{\circ}\text{C}$ | Units |
|-----------|--------------------------------------|------------------------------------------------------------------------------------------------------|-----------------|----------------------------|-------|
|           |                                      |                                                                                                      |                 | Typical                    |       |
| $V_{OLP}$ | Quiet Output Dynamic Peak $V_{OL}$   | $C_L = 50\text{ pF}, V_{IH} = 3.3V, V_{IL} = 0V$<br>$C_L = 30\text{ pF}, V_{IH} = 2.5V, V_{IL} = 0V$ | 3.3<br>2.5      | 0.8<br>0.6                 | V     |
| $V_{OLV}$ | Quiet Output Dynamic Valley $V_{OL}$ | $C_L = 50\text{ pF}, V_{IH} = 3.3V, V_{IL} = 0V$<br>$C_L = 30\text{ pF}, V_{IH} = 2.5V, V_{IL} = 0V$ | 3.3<br>2.5      | -0.8<br>-0.6               | V     |

## Capacitance

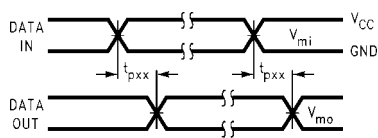
| Symbol    | Parameter                     | Conditions                                                      | Typical | Units |
|-----------|-------------------------------|-----------------------------------------------------------------|---------|-------|
| $C_{IN}$  | Input Capacitance             | $V_{CC} = \text{Open}, V_I = 0V \text{ or } V_{CC}$             | 7       | pF    |
| $C_{OUT}$ | Output Capacitance            | $V_{CC} = 3.3V, V_I = 0V \text{ or } V_{CC}$                    | 8       | pF    |
| $C_{PD}$  | Power Dissipation Capacitance | $V_{CC} = 3.3V, V_I = 0V \text{ or } V_{CC}, f = 10\text{ MHz}$ | 25      | pF    |

**AC Loading and Waveforms** Generic for LCX Family

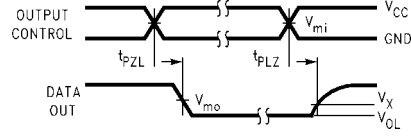


**FIGURE 1. AC Test Circuit**  
( $C_L$  includes probe and jig capacitance)

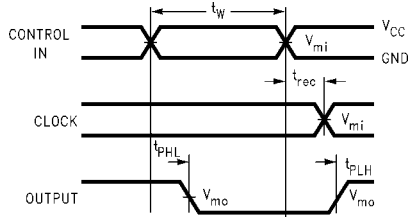
| Test               | Switch                                                                        |
|--------------------|-------------------------------------------------------------------------------|
| $t_{PLH}, t_{PHL}$ | Open                                                                          |
| $t_{PZL}, t_{PLZ}$ | 6V at $V_{CC} = 3.3 \pm 0.3V$<br>$V_{CC} \times 2$ at $V_{CC} = 2.5 \pm 0.2V$ |
| $t_{PZH}, t_{PHZ}$ | GND                                                                           |



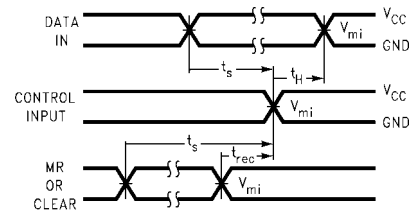
**Waveform for Inverting and Non-Inverting Functions**



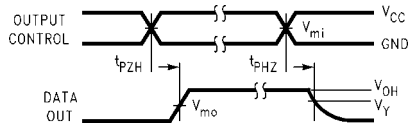
**3-STATE Output Low Enable and Disable Times for Logic**



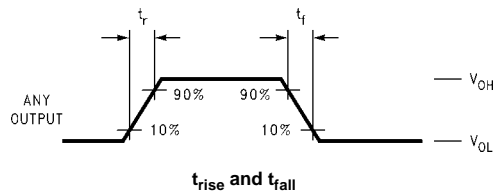
**Propagation Delay, Pulse Width and  $t_{rec}$  Waveforms**



**Setup Time, Hold Time and Recovery Time for Logic**



**3-STATE Output High Enable and Disable Times for Logic**

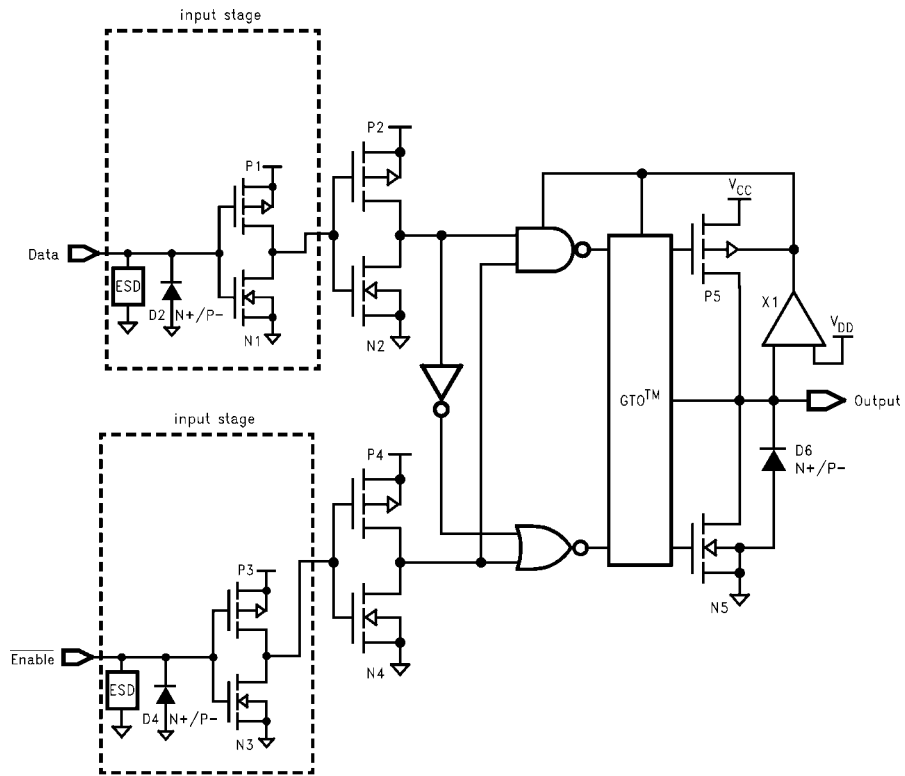


**FIGURE 2. Waveforms**

(Input Pulse Characteristics;  $f = 1\text{MHz}$ ,  $t_r = t_f = 3\text{ns}$ )

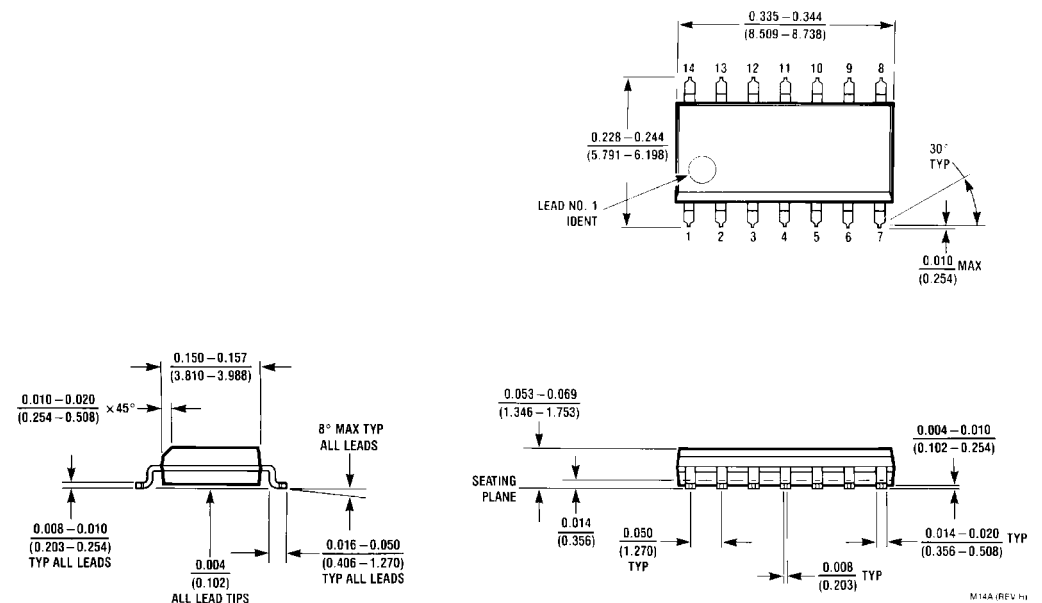
| Symbol   | $V_{CC}$        |                 |                  |
|----------|-----------------|-----------------|------------------|
|          | $3.3V \pm 0.3V$ | $2.7V$          | $2.5V \pm 0.2V$  |
| $V_{mi}$ | 1.5V            | 1.5V            | $V_{CC}/2$       |
| $V_{mo}$ | 1.5V            | 1.5V            | $V_{CC}/2$       |
| $V_x$    | $V_{OL} + 0.3V$ | $V_{OL} + 0.3V$ | $V_{OL} + 0.15V$ |
| $V_y$    | $V_{OH} - 0.3V$ | $V_{OH} - 0.3V$ | $V_{OH} - 0.15V$ |

**Schematic Diagram** Generic for LCX Family



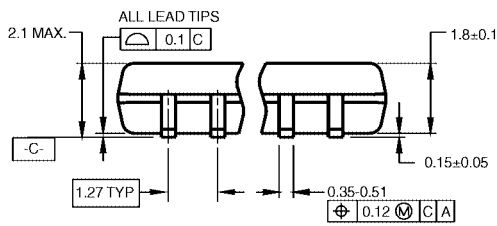
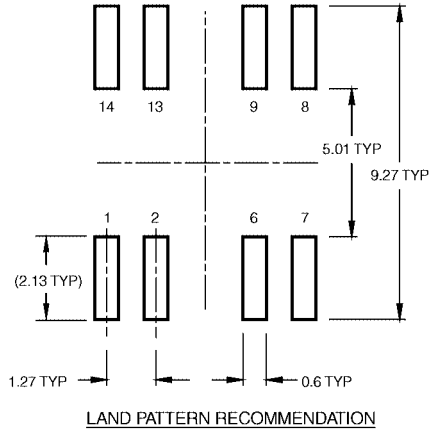
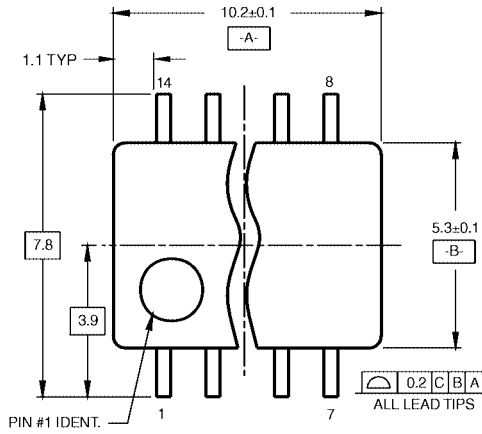
**74LCX86**

**Physical Dimensions** inches (millimeters) unless otherwise noted

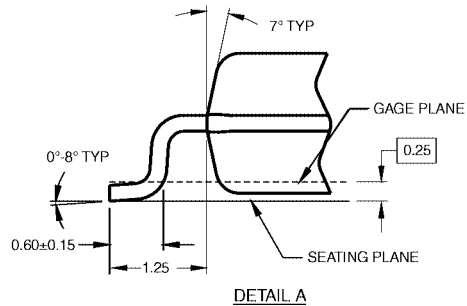
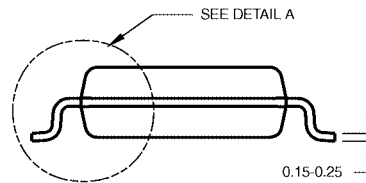


**14-Lead Small Outline Integrated Circuit (SOIC), JEDEC MS-012, 0.150" Narrow  
Package Number M14A**

**Physical Dimensions** inches (millimeters) unless otherwise noted (Continued)



DIMENSIONS ARE IN MILLIMETERS

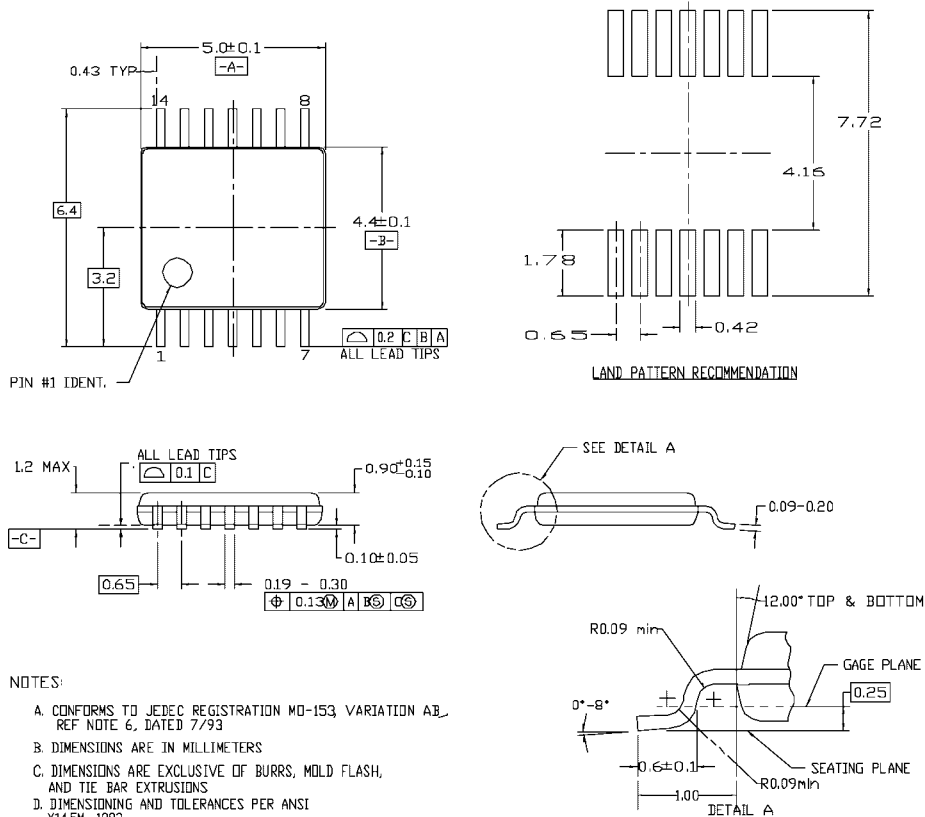


- NOTES:  
A. CONFORMS TO EIAJ EDR-7320 REGISTRATION, ESTABLISHED IN DECEMBER, 1998.  
B. DIMENSIONS ARE IN MILLIMETERS.  
C. DIMENSIONS ARE EXCLUSIVE OF BURRS, MOLD FLASH, AND TIE BAR EXTRUSIONS.

M14DRevB1

**Pb-Free 14-Lead Small Outline Package (SOP), EIAJ TYPE II, 5.3mm Wide Package Number M14D**

**Physical Dimensions** inches (millimeters) unless otherwise noted (Continued)



- NOTES:
- A. CONFORMS TO JEDEC REGISTRATION MO-153 VARIATION AB, REF NOTE 6, DATED 7/93
  - B. DIMENSIONS ARE IN MILLIMETERS
  - C. DIMENSIONS ARE EXCLUSIVE OF BURRS, MOLD FLASH, AND TIE BAR EXTRUSIONS
  - D. DIMENSIONING AND TOLERANCES PER ANSI Y14.5M, 1982

MTC14revD

**14-Lead Thin Shrink Small Outline Package (TSSOP), JEDEC MO-153, 4.4mm Wide Package Number MTC14**

Fairchild does not assume any responsibility for use of any circuitry described, no circuit patent licenses are implied and Fairchild reserves the right at any time without notice to change said circuitry and specifications.

**LIFE SUPPORT POLICY**

FAIRCHILD'S PRODUCTS ARE NOT AUTHORIZED FOR USE AS CRITICAL COMPONENTS IN LIFE SUPPORT DEVICES OR SYSTEMS WITHOUT THE EXPRESS WRITTEN APPROVAL OF THE PRESIDENT OF FAIRCHILD SEMICONDUCTOR CORPORATION. As used herein:

1. Life support devices or systems are devices or systems which, (a) are intended for surgical implant into the body, or (b) support or sustain life, and (c) whose failure to perform when properly used in accordance with instructions for use provided in the labeling, can be reasonably expected to result in a significant injury to the user.
2. A critical component in any component of a life support device or system whose failure to perform can be reasonably expected to cause the failure of the life support device or system, or to affect its safety or effectiveness.

[www.fairchildsemi.com](http://www.fairchildsemi.com)