

74LV4066

Quad bilateral switches

Rev. 03 — 4 July 2005

Product data sheet

1. General description

The 74LV4066 is a low-voltage Si-gate CMOS device that is pin and function compatible with the 74HC4066 and 74HCT4066.

The 74LV4066 has four independent switches. Each switch has two input/output pins (nY, nZ) and an active HIGH enable input pin (nE). When nE is LOW the corresponding analog switch is turned off.

The 74LV4066 has a ON-resistance which is reduced in comparison with the 74HCT4066.

2. Features

- Optimized for low-voltage applications: 1.0 V to 3.6 V
- Typical V_{OLP} (output ground bounce): < 0.8 V at $V_{CC} = 3.3$ V and $T_{amb} = 25$ °C
- Accepts TTL input levels between $V_{CC} = 2.7$ V and $V_{CC} = 3.6$ V
- Very low ON-resistance:
 - ◆ 60 Ω (typical) at $V_{CC} = 2.0$ V
 - ◆ 35 Ω (typical) at $V_{CC} = 3.0$ V
 - ◆ 25 Ω (typical) at $V_{CC} = 4.5$ V
- ESD protection:
 - ◆ HBM EIA/JESD22-A114C exceeds 2000 V
 - ◆ MM EIA/JESD22-A115-A exceeds 200 V
- Specified from -40 °C to $+80$ °C and from -40 °C to $+125$ °C

PHILIPS

3. Quick reference data

Table 1: Quick reference data

$GND = 0\text{ V}$; $T_{amb} = 25\text{ °C}$; $t_r = t_f \leq 2.5\text{ ns}$; $C_L = 15\text{ pF}$; $R_L = 1\text{ k}\Omega$.

Symbol	Parameter	Conditions	Min	Typ	Max	Unit
t_{PZL} , t_{PZH}	turn-on time nE to V_{OS}	$V_{CC} = 3.3\text{ V}$	-	10	-	ns
t_{PLZ} , t_{PHZ}	turn-off time nE to V_{OS}	$V_{CC} = 3.3\text{ V}$	-	13	-	ns
C_i	input capacitance		-	3.5	-	pF
C_S	maximum switch capacitance		-	8	-	pF
C_{PD}	power dissipation capacitance per switch	$V_{CC} = 3.3\text{ V}$	[1][2]	11	-	pF

[1] C_{PD} is used to determine the dynamic power dissipation (P_D in μW).

$P_D = C_{PD} \times V_{CC}^2 \times f_i \times N + \Sigma[(C_L + C_S) \times V_{CC}^2 \times f_o]$ where:

f_i = input frequency in MHz;

f_o = output frequency in MHz;

C_L = output load capacitance in pF;

C_S = maximum switch capacitance in pF;

V_{CC} = supply voltage in V;

N = number of inputs switching;

$\Sigma[(C_L + C_S) \times V_{CC}^2 \times f_o]$ = sum of the outputs.

[2] The condition is $V_i = GND$ to V_{CC} .

4. Ordering information

Table 2: Ordering information

Type number	Package			Version
	Temperature range	Name	Description	
74LV4066N	-40 °C to +125 °C	DIP14	plastic dual in-line package; 14 leads (300 mil)	SOT27-1
74LV4066D	-40 °C to +125 °C	SO14	plastic small outline package; 14 leads; body width 3.9 mm	SOT108-1
74LV4066DB	-40 °C to +125 °C	SSOP14	plastic shrink small outline package; 14 leads; body width 5.3 mm	SOT337-1
74LV4066PW	-40 °C to +125 °C	TSSOP14	plastic thin shrink small outline package; 14 leads; body width 4.4 mm	SOT402-1

5. Functional diagram

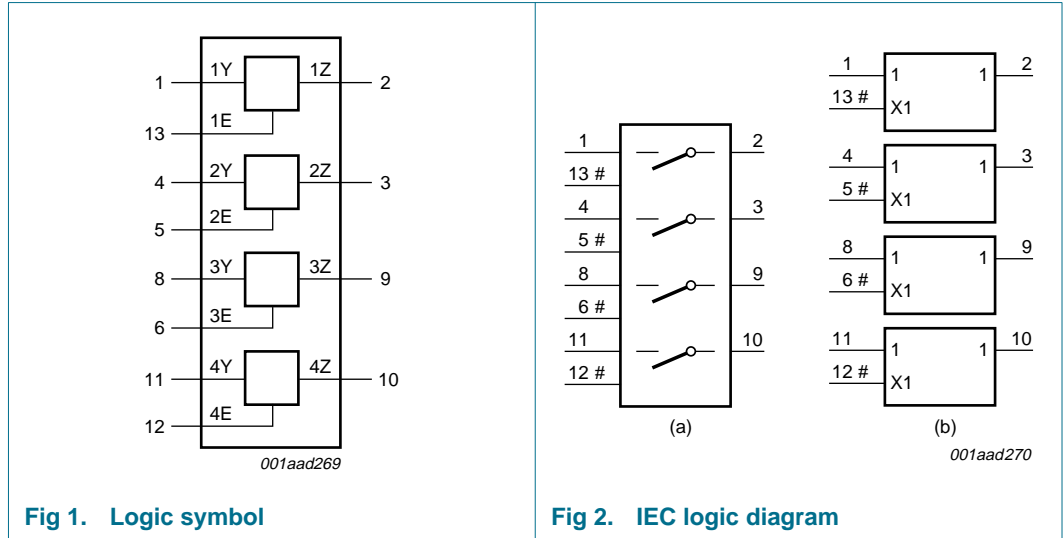


Fig 1. Logic symbol

Fig 2. IEC logic diagram

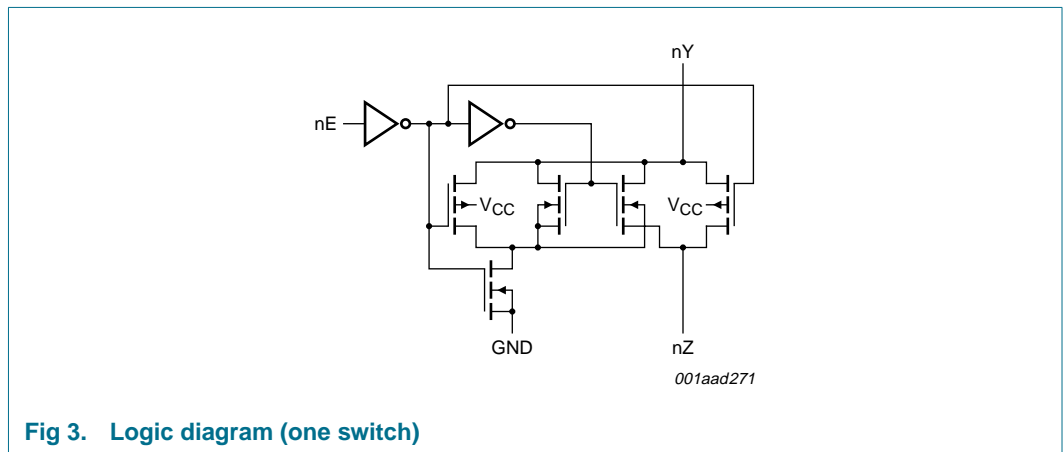


Fig 3. Logic diagram (one switch)

6. Pinning information

6.1 Pinning

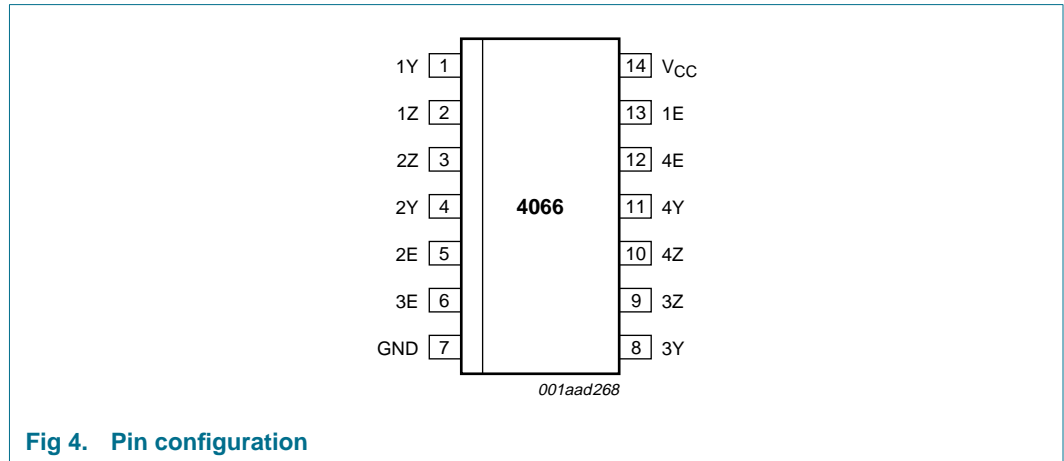


Fig 4. Pin configuration

6.2 Pin description

Table 3: Pin description

Symbol	Pin	Description
1Y	1	independent input or output
1Z	2	independent output or input
2Z	3	independent output or input
2Y	4	independent input or output
2E	5	enable input
3E	6	enable input
GND	7	ground (0 V)
3Y	8	independent input or output
3Z	9	independent output or input
4Z	10	independent output or input
4Y	11	independent input or output
4E	12	enable input
1E	13	enable input
V _{CC}	14	supply voltage

7. Functional description

7.1 Function table

Table 4: Function table

Input nE	Switch
LOW	off
HIGH	on

8. Limiting values

Table 5: Limiting values

In accordance with the Absolute Maximum Rating System (IEC 60134). Voltages are referenced to GND (ground = 0 V).

Symbol	Parameter	Conditions	Min	Max	Unit
V_{CC}	supply voltage		-0.5	+7.0	V
I_{IK}	input diode current	$V_I < -0.5\text{ V}$ or $V_I > V_{CC} + 0.5\text{ V}$	-	± 20	mA
I_{OK}	output diode current	$V_O < -0.5\text{ V}$ or $V_O > V_{CC} + 0.5\text{ V}$	-	± 50	mA
I_S	switch source or sink current	$V_O = -0.5\text{ V}$ to $(V_{CC} + 0.5\text{ V})$	[1] -	± 25	mA
T_{stg}	storage temperature		-65	+150	°C
P_{tot}	total power dissipation	$T_{amb} = -40\text{ °C}$ to $+125\text{ °C}$			
	DIP14 package		[2] -	750	mW
	SO14 package		[3] -	500	mW
	(T)SSOP14 package		[4]	400	mW

[1] The input and output voltage ratings may be exceeded if the input and output current ratings are observed.

[2] DIP14 package: P_{tot} derates linearly with 12 mW/K above 70 °C.

[3] SO14 package: P_{tot} derates linearly with 8 mW/K above 70 °C.

[4] (T)SSOP14 package: P_{tot} derates linearly with 5.5 mW/K above 60 °C.

9. Recommended operating conditions

Table 6: Recommended operating conditions

Symbol	Parameter	Conditions	Min	Typ	Max	Unit
V_{CC}	supply voltage		[1] 1.0	3.3	6	V
V_I	input voltage		0	-	V_{CC}	V
V_O	output voltage		0	-	V_{CC}	V
T_{amb}	ambient temperature	in free air	-40	-	+125	°C
t_r, t_f	input rise and fall times	$V_{CC} = 1.0\text{ V}$ to 2.0 V	-	-	500	ns/V
		$V_{CC} = 2.0\text{ V}$ to 2.7 V	-	-	200	ns/V
		$V_{CC} = 2.7\text{ V}$ to 3.6 V	-	-	100	ns/V
		$V_{CC} = 3.6\text{ V}$ to 5.5 V	-	-	50	ns/V

[1] The static characteristics are guaranteed from $V_{CC} = 1.2\text{ V}$ to $V_{CC} = 5.5\text{ V}$, but LV devices are guaranteed to function down to $V_{CC} = 1.0\text{ V}$ (with input levels GND or V_{CC}).

10. Static characteristics

Table 7: Static characteristics

At recommended operating conditions; voltages are referenced to GND (ground = 0 V).

Symbol	Parameter	Conditions	Min	Typ	Max	Unit
$T_{amb} = -40\text{ °C to }+85\text{ °C}$						
V_{IH}	HIGH-level input voltage	$V_{CC} = 1.2\text{ V}$	0.90	-	-	V
		$V_{CC} = 2.0\text{ V}$	1.40	-	-	V
		$V_{CC} = 2.7\text{ V to }3.6\text{ V}$	2.00	-	-	V
		$V_{CC} = 4.5\text{ V}$	3.15	-	-	V
		$V_{CC} = 6.0\text{ V}$	4.20	-	-	V
V_{IL}	LOW-level input voltage	$V_{CC} = 1.2\text{ V}$	-	-	0.30	V
		$V_{CC} = 2.0\text{ V}$	-	-	0.60	V
		$V_{CC} = 2.7\text{ V to }3.6\text{ V}$	-	-	0.80	V
		$V_{CC} = 4.5\text{ V}$	-	-	1.35	V
		$V_{CC} = 6.0\text{ V}$	-	-	1.80	V
I_{LI}	input leakage current	$V_I = V_{CC}$ or GND				
		$V_{CC} = 3.6\text{ V}$	-	-	1.0	μA
		$V_{CC} = 6.0\text{ V}$	-	-	2.0	μA
$I_{S(OFF)}$	analog switch OFF-state current	$V_I = V_{IH}$ or V_{IL} ; see Figure 5				
		$V_{CC} = 3.6\text{ V}$	-	-	1.0	μA
		$V_{CC} = 6.0\text{ V}$	-	-	2.0	μA
$I_{S(ON)}$	analog switch ON-state current	$V_I = V_{IH}$ or V_{IL} ; see Figure 6				
		$V_{CC} = 3.6\text{ V}$	-	-	1.0	μA
		$V_{CC} = 6.0\text{ V}$	-	-	2.0	μA
I_{CC}	supply current	$V_I = V_{CC}$ or GND; $I_O = 0\text{ A}$				
		$V_{CC} = 3.6\text{ V}$	-	-	20	μA
		$V_{CC} = 6.0\text{ V}$	-	-	40	μA
ΔI_{CC}	additional supply current per input	$V_I = V_{CC} - 0.6\text{ V}$; $V_{CC} = 2.7\text{ V to }3.6\text{ V}$	-	-	500	μA
C_i	input capacitance		-	3.5	-	pF
$T_{amb} = -40\text{ °C to }+125\text{ °C}$						
V_{IH}	HIGH-level input voltage	$V_{CC} = 1.2\text{ V}$	0.90	-	-	V
		$V_{CC} = 2.0\text{ V}$	1.40	-	-	V
		$V_{CC} = 2.7\text{ V to }3.6\text{ V}$	2.00	-	-	V
		$V_{CC} = 4.5\text{ V}$	3.15	-	-	V
		$V_{CC} = 6.0\text{ V}$	4.20			V
V_{IL}	LOW-level input voltage	$V_{CC} = 1.2\text{ V}$	-	-	0.30	V
		$V_{CC} = 2.0\text{ V}$	-	-	0.60	V
		$V_{CC} = 2.7\text{ V to }3.6\text{ V}$	-	-	0.80	V
		$V_{CC} = 4.5\text{ V}$	-	-	1.35	V
		$V_{CC} = 6.0\text{ V}$	-	-	1.80	V

Table 7: Static characteristics ...continued

At recommended operating conditions; voltages are referenced to GND (ground = 0 V).

Symbol	Parameter	Conditions	Min	Typ	Max	Unit
I_{LI}	input leakage current	$V_I = V_{CC}$ or GND				
		$V_{CC} = 3.6$ V	-	-	1.0	μ A
		$V_{CC} = 6.0$ V	-	-	2.0	μ A
$I_{S(OFF)}$	analog switch OFF-state current	$V_I = V_{IH}$ or V_{IL} ; see Figure 5				
		$V_{CC} = 3.6$ V	-	-	1.0	μ A
		$V_{CC} = 6.0$ V	-	-	2.0	μ A
$I_{S(ON)}$	analog switch ON-state current	$V_I = V_{IH}$ or V_{IL} ; see Figure 6				
		$V_{CC} = 3.6$ V	-	-	1.0	μ A
		$V_{CC} = 6.0$ V	-	-	2.0	μ A
I_{CC}	supply current	$V_I = V_{CC}$ or GND; $I_O = 0$ A				
		$V_{CC} = 3.6$ V	-	-	40	μ A
		$V_{CC} = 6.0$ V	-	-	80	μ A
ΔI_{CC}	additional supply current per input	$V_I = V_{CC} - 0.6$ V; $V_{CC} = 2.7$ V to 3.6 V	-	-	850	μ A

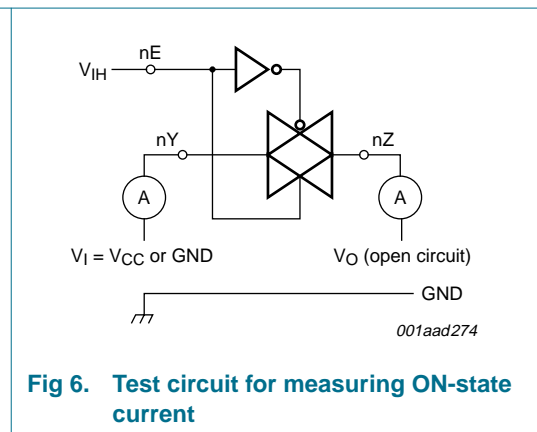
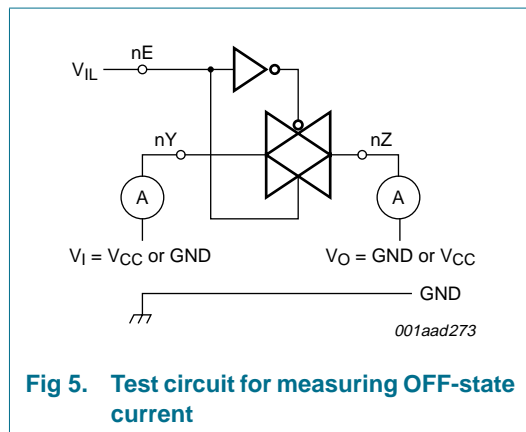


Table 8: ON-resistance

At recommended operating conditions; voltages are referenced to GND (ground = 0 V); for test circuit see [Figure 7](#).

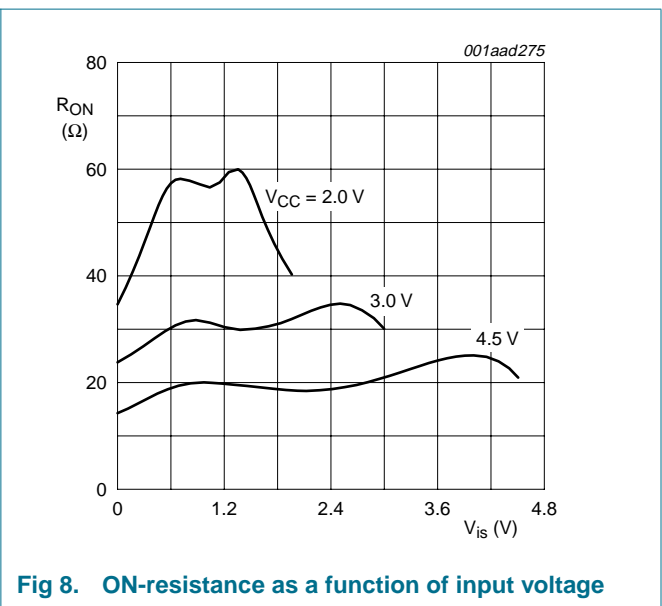
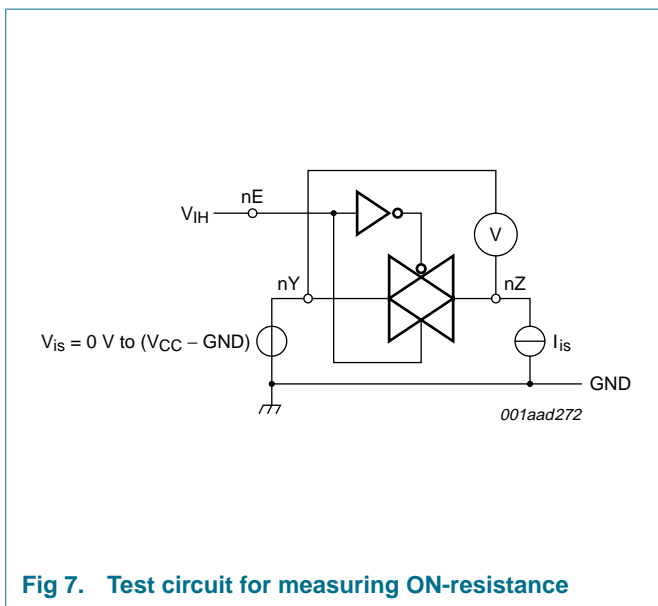
Symbol	Parameter	Conditions	Min	Typ	Max	Unit	
$T_{amb} = -40\text{ °C to }+85\text{ °C}$ [1]; see Figure 8							
$R_{ON(peak)}$	ON-resistance (peak)	$V_I = V_{IH}$ or V_{IL}					
		$V_{CC} = 1.2\text{ V}$	[2]	-	300	-	Ω
		$V_{CC} = 2.0\text{ V}$	-	60	130	Ω	
		$V_{CC} = 2.7\text{ V}$	-	41	60	Ω	
		$V_{CC} = 3.0\text{ V to }3.6\text{ V}$	-	37	72	Ω	
		$V_{CC} = 4.5\text{ V}$	-	25	52	Ω	
		$V_{CC} = 6.0\text{ V}$	-	23	47	Ω	
$R_{ON(rail)}$	ON-resistance (rail)	$V_I = V_{IH}$ or V_{IL} ; $V_{is} = \text{GND}$					
		$V_{CC} = 1.2\text{ V}$	[2]	-	75	-	Ω
		$V_{CC} = 2.0\text{ V}$	-	35	98	Ω	
		$V_{CC} = 2.7\text{ V}$	-	26	60	Ω	
		$V_{CC} = 3.0\text{ V to }3.6\text{ V}$	-	24	52	Ω	
		$V_{CC} = 4.5\text{ V}$	-	15	40	Ω	
		$V_{CC} = 6.0\text{ V}$	-	13	35	Ω	
		$V_I = V_{IH}$ or V_{IL} ; $V_{is} = V_{CC}$					
		$V_{CC} = 1.2\text{ V}$	[2]	-	75	-	Ω
		$V_{CC} = 2.0\text{ V}$	-	40	110	Ω	
		$V_{CC} = 2.7\text{ V}$	-	35	72	Ω	
		$V_{CC} = 3.0\text{ V to }3.6\text{ V}$	-	30	65	Ω	
		$V_{CC} = 4.5\text{ V}$	-	22	47	Ω	
		$V_{CC} = 6.0\text{ V}$	-	20	40	Ω	
$R_{ON(flatness)}$	ON-resistance (flatness)	$V_I = V_{IH}$ or V_{IL} ; $V_{is} = V_{CC}$					
		$V_{CC} = 2.0\text{ V}$	-	5	-	Ω	
		$V_{CC} = 2.7\text{ V}$	-	4	-	Ω	
		$V_{CC} = 3.0\text{ V to }3.6\text{ V}$	-	4	-	Ω	
		$V_{CC} = 4.5\text{ V}$	-	3	-	Ω	
		$V_{CC} = 6.0\text{ V}$	-	2	-	Ω	
$T_{amb} = -40\text{ °C to }+125\text{ °C}$							
$R_{ON(peak)}$	ON-resistance (peak)	$V_I = V_{IH}$ or V_{IL}					
		$V_{CC} = 2.0\text{ V}$	-	-	150	Ω	
		$V_{CC} = 2.7\text{ V}$	-	-	90	Ω	
		$V_{CC} = 3.0\text{ V to }3.6\text{ V}$	-	-	83	Ω	
		$V_{CC} = 4.5\text{ V}$	-	-	60	Ω	
		$V_{CC} = 6.0\text{ V}$	-	-	54	Ω	

Table 8: ON-resistance ...continued

At recommended operating conditions; voltages are referenced to GND (ground = 0 V); for test circuit see [Figure 7](#).

Symbol	Parameter	Conditions	Min	Typ	Max	Unit	
$R_{ON(rail)}$	ON-resistance (rail)	$V_I = V_{IH}$ or V_{IL} ; $V_{is} = GND$					
		$V_{CC} = 2.0\text{ V}$	-	-	115	Ω	
		$V_{CC} = 2.7\text{ V}$	-	-	68	Ω	
		$V_{CC} = 3.0\text{ V to }3.6\text{ V}$	-	-	60	Ω	
		$V_{CC} = 4.5\text{ V}$	-	-	45	Ω	
		$V_{CC} = 6.0\text{ V}$	-	-	40	Ω	
		$V_I = V_{IH}$ or V_{IL} ; $V_{is} = V_{CC}$					
		$V_{CC} = 2.0\text{ V}$	-	-	130	Ω	
		$V_{CC} = 2.7\text{ V}$	-	-	85	Ω	
		$V_{CC} = 3.0\text{ V to }3.6\text{ V}$	-	-	75	Ω	
		$V_{CC} = 4.5\text{ V}$	-	-	55	Ω	
		$V_{CC} = 6.0\text{ V}$	-	-	47	Ω	

- [1] All typical values are measured at $T_{amb} = 25\text{ }^\circ\text{C}$.
- [2] At supply voltage approaching 1.2 V, the analog switch ON-resistance becomes extremely non-linear. Therefore it is recommended that these devices be used to transmit digital signals only, when using these supply voltages.



11. Dynamic characteristics

Table 9: Dynamic characteristics

Voltages are referenced to GND (ground = 0 V); for test circuit see [Figure 11](#).

Symbol	Parameter	Conditions	Min	Typ	Max	Unit	
$T_{amb} = -40\text{ °C to }+85\text{ °C}$ [1]							
t_{PHL} , t_{PLH}	propagation delay V_{is} to V_{os}	see Figure 9					
		$V_{CC} = 1.2\text{ V}$	-	8	-	ns	
		$V_{CC} = 2.0\text{ V}$	-	5	26	ns	
		$V_{CC} = 2.7\text{ V to }3.6\text{ V}$	-	3	15	ns	
		$V_{CC} = 4.5\text{ V}$	-	2	13	ns	
		$V_{CC} = 6.0\text{ V}$	-	2	10	ns	
t_{PZH} , t_{PZL}	turn-on time nE to V_{os}	see Figure 9					
		$V_{CC} = 1.2\text{ V}$	-	40	-	ns	
		$V_{CC} = 2.0\text{ V}$	-	22	43	ns	
		$V_{CC} = 2.7\text{ V to }3.6\text{ V}$	-	12	25	ns	
		$V_{CC} = 3.3\text{ V}; C_L = 15\text{ pF}$	-	10	-	ns	
		$V_{CC} = 4.5\text{ V}$	-	10	21	ns	
		$V_{CC} = 6.0\text{ V}$	-	8	16	ns	
t_{PHZ} , t_{PLZ}	turn-off time nE to V_{os}	see Figure 9					
		$V_{CC} = 1.2\text{ V}$	-	50	-	ns	
		$V_{CC} = 2.0\text{ V}$	-	27	65	ns	
		$V_{CC} = 2.7\text{ V to }3.6\text{ V}$	-	15	38	ns	
		$V_{CC} = 3.3\text{ V}; C_L = 15\text{ pF}$	-	13	-	ns	
		$V_{CC} = 4.5\text{ V}$	-	13	32	ns	
		$V_{CC} = 6.0\text{ V}$	-	12	28	ns	
C_{PD}	power dissipation capacitance per switch	$V_{CC} = 3.3\text{ V}; C_L = 15\text{ pF}$	[2] [3]	-	11	-	pF
$T_{amb} = -40\text{ °C to }+125\text{ °C}$							
t_{PHL} , t_{PLH}	propagation delay V_{is} to V_{os}	see Figure 9					
		$V_{CC} = 2.0\text{ V}$	-	-	31	ns	
		$V_{CC} = 2.7\text{ V to }3.6\text{ V}$	-	-	18	ns	
		$V_{CC} = 4.5\text{ V}$	-	-	15	ns	
		$V_{CC} = 6.0\text{ V}$	-	-	12	ns	
t_{PZH} , t_{PZL}	turn-on time nE to V_{os}	see Figure 9					
		$V_{CC} = 2.0\text{ V}$	-	-	51	ns	
		$V_{CC} = 2.7\text{ V to }3.6\text{ V}$	-	-	30	ns	
		$V_{CC} = 4.5\text{ V}$	-	-	26	ns	
		$V_{CC} = 6.0\text{ V}$	-	-	20	ns	

Table 9: Dynamic characteristics ...continued

Voltages are referenced to GND (ground = 0 V); for test circuit see [Figure 11](#).

Symbol	Parameter	Conditions	Min	Typ	Max	Unit
t_{PHZ} , t_{PLZ}	turn-off time nE to V_{OS}	see Figure 9				
		$V_{CC} = 2.0\text{ V}$	-	-	81	ns
		$V_{CC} = 2.7\text{ V to }3.6\text{ V}$	-	-	47	ns
		$V_{CC} = 4.5\text{ V}$	-	-	40	ns
		$V_{CC} = 6.0\text{ V}$	-	-	34	ns

[1] Typical values are measured at nominal V_{CC} and $T_{amb} = 25\text{ }^{\circ}\text{C}$.

[2] C_{PD} is used to determine the dynamic power dissipation (P_D in μW).

$$P_D = C_{PD} \times V_{CC}^2 \times f_i \times N + \Sigma[(C_L + C_S) \times V_{CC}^2 \times f_o] \text{ where:}$$

f_i = input frequency in MHz;

f_o = output frequency in MHz;

C_L = output load capacitance in pF;

C_S = maximum switch capacitance in pF;

V_{CC} = supply voltage in V;

N = number of inputs switching;

$\Sigma[(C_L + C_S) \times V_{CC}^2 \times f_o]$ = sum of the outputs.

[3] The condition is $V_I = \text{GND to } V_{CC}$.

12. Waveforms

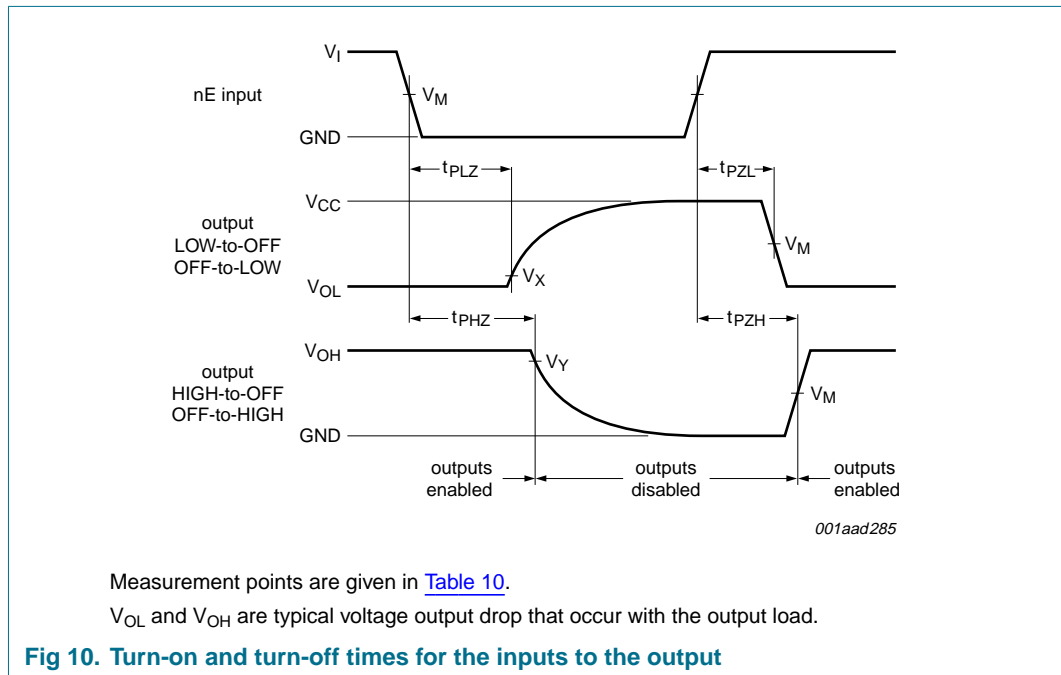
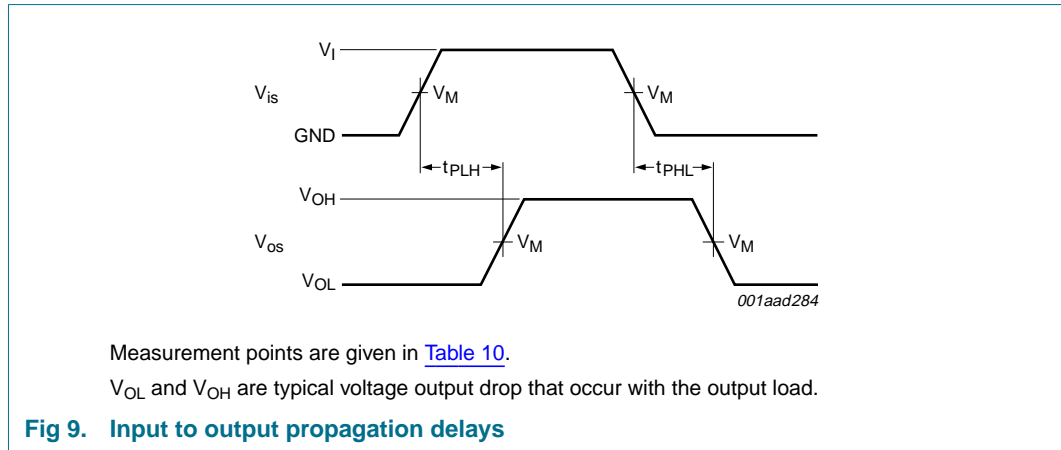


Table 10: Measurement points

Supply voltage	Input	Output		
V_{CC}	V_M	V_M	V_X	V_Y
$\geq 2.7\text{ V}$	1.5 V	1.5 V	$V_{OL} + 0.3$	$V_{OH} - 0.3\text{ V}$
$< 2.7\text{ V}$	$0.5 \times V_{CC}$	$0.5 \times V_{CC}$	$V_{OL} + 0.15$	$V_{OH} - 0.15\text{ V}$

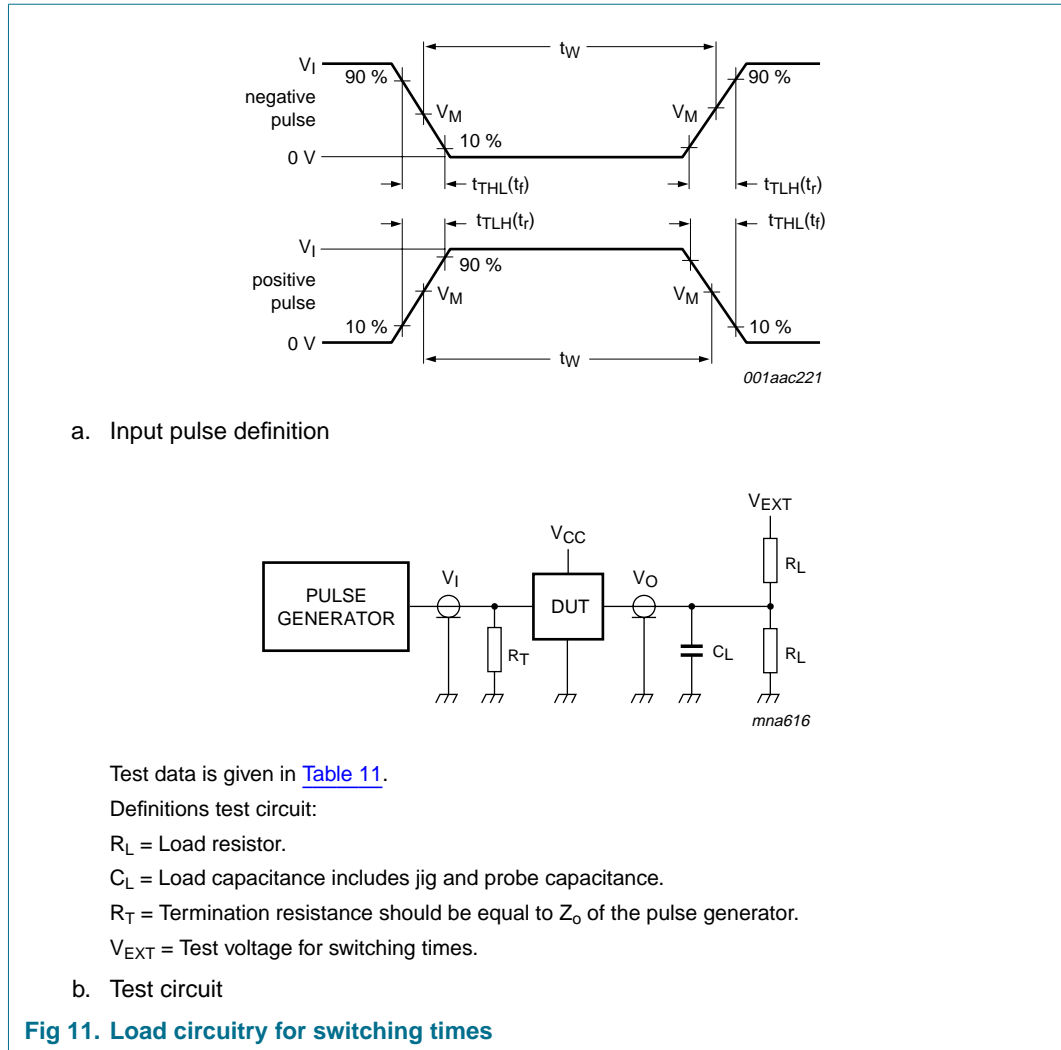


Table 11: Test data

Supply voltage	Input		Load		V_{EXT}		
V_{CC}	V_I	t_r, t_f	C_L	R_L [1]	t_{PHZ}, t_{PZH}	t_{PLZ}, t_{PZL}	t_{PLH}, t_{PHL}
< 2.7 V	V_{CC}	≤ 2.5 ns	50 pF	1 k Ω	GND	$2 \times V_{CC}$	open
2.7 V to 3.6 V	2.7 V	≤ 2.5 ns	50 pF	1 k Ω	GND	$2 \times V_{CC}$	open
≥ 4.5 V	V_{CC}	≤ 2.5 ns	50 pF	1 k Ω	GND	$2 \times V_{CC}$	open

[1] $R_L = \infty \Omega$ for measuring the propagation delays t_{PLH} and t_{PHL} .

13. Additional dynamic characteristics

Table 12: Additional dynamic characteristics

Voltages are referenced to GND (ground = 0 V); V_{is} is the input voltage at pin nY or nZ, whichever is assigned as an input; V_{os} is the output voltage at pin nY or nZ, whichever is assigned as an output.

Symbol	Parameter	Conditions	Min	Typ	Max	Unit		
d_{sin}	sine-wave distortion	$R_L = 10\text{ k}\Omega$; $f = 1\text{ kHz}$; $C_L = 50\text{ pF}$; see Figure 12	$V_{CC} = 3.0\text{ V}$; $V_{is} = 2.75\text{ V (p-p)}$	-	0.04	-	%	
			$V_{CC} = 6.0\text{ V}$; $V_{is} = 5.50\text{ V (p-p)}$	-	0.02	-	%	
		$R_L = 10\text{ k}\Omega$; $f = 10\text{ kHz}$; $C_L = 50\text{ pF}$; see Figure 12	$V_{CC} = 3.0\text{ V}$; $V_{is} = 2.75\text{ V (p-p)}$	-	0.12	-	%	
			$V_{CC} = 6.0\text{ V}$; $V_{is} = 5.50\text{ V (p-p)}$	-	0.06	-	%	
		$\alpha_{OFF(\text{feedthru})}$	switch OFF-state signal feed-through attenuation	$R_L = 600\text{ k}\Omega$; $f = 1\text{ MHz}$; $C_L = 50\text{ pF}$; see Figure 13 and Figure 14	[1]			
					$V_{CC} = 3.0\text{ V}$	-	-50	-
$V_{CC} = 6.0\text{ V}$	-				-50	-	dB	
$\alpha_{ct(S)}$	crosstalk between switches	$R_L = 600\text{ k}\Omega$; $f = 1\text{ MHz}$; $C_L = 50\text{ pF}$; see Figure 15	[1]					
			$V_{CC} = 3.0\text{ V}$	-	-60	-	dB	
			$V_{CC} = 6.0\text{ V}$	-	-60	-	dB	
$V_{ct(pp)}$	crosstalk voltage between enable input to any switch (peak-to-peak value)	$R_L = 600\text{ k}\Omega$; $f = 1\text{ MHz}$; $C_L = 50\text{ pF}$; see Figure 16 and Figure 17	[2]					
			$V_{CC} = 3.0\text{ V}$	-	110	-	mV	
			$V_{CC} = 6.0\text{ V}$	-	220	-	mV	
f_{max}	minimum frequency response (-3 dB)	$R_L = 50\text{ k}\Omega$; $C_L = 50\text{ pF}$; see Figure 18 and Figure 19	[3]					
			$V_{CC} = 3.0\text{ V}$	-	180	-	MHz	
			$V_{CC} = 6.0\text{ V}$	-	200	-	MHz	
C_S	maximum switch capacitance		-	8	-	pF		

[1] Adjust input voltage V_{is} is 0 dBm level (0 dBm = 1 mW into 600 Ω).

[2] Pin nE: square wave between V_{CC} and GND, $t_r = t_f = 6\text{ ns}$.

[3] Adjust input voltage V_{is} is 0 dBm level at V_{os} for 1 MHz (0 dBm = 1 mW into 50 Ω).

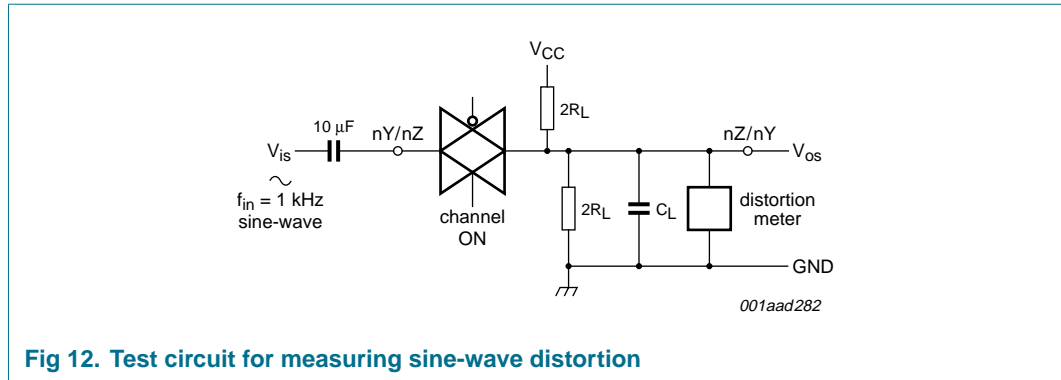


Fig 12. Test circuit for measuring sine-wave distortion

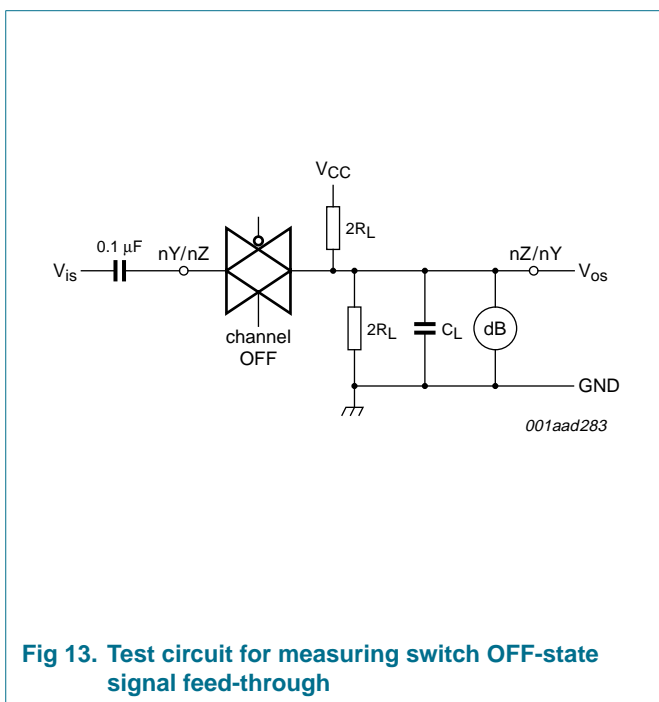


Fig 13. Test circuit for measuring switch OFF-state signal feed-through

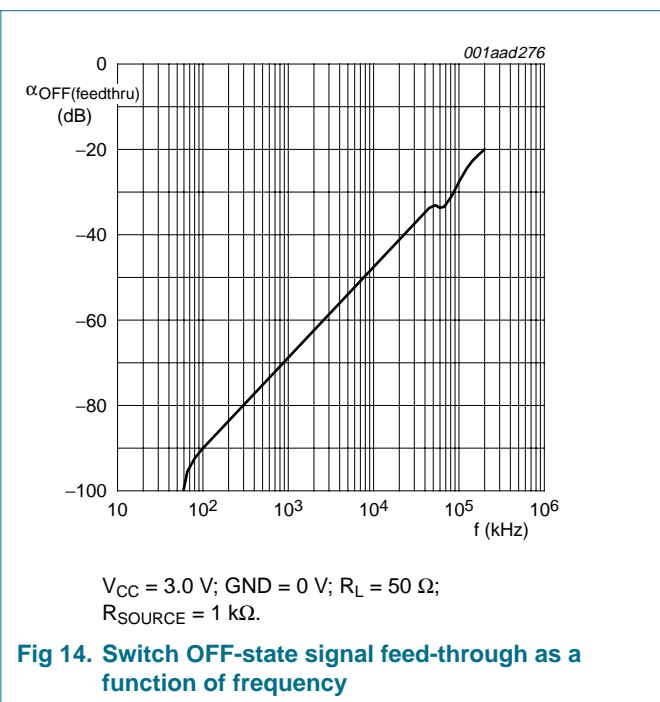


Fig 14. Switch OFF-state signal feed-through as a function of frequency

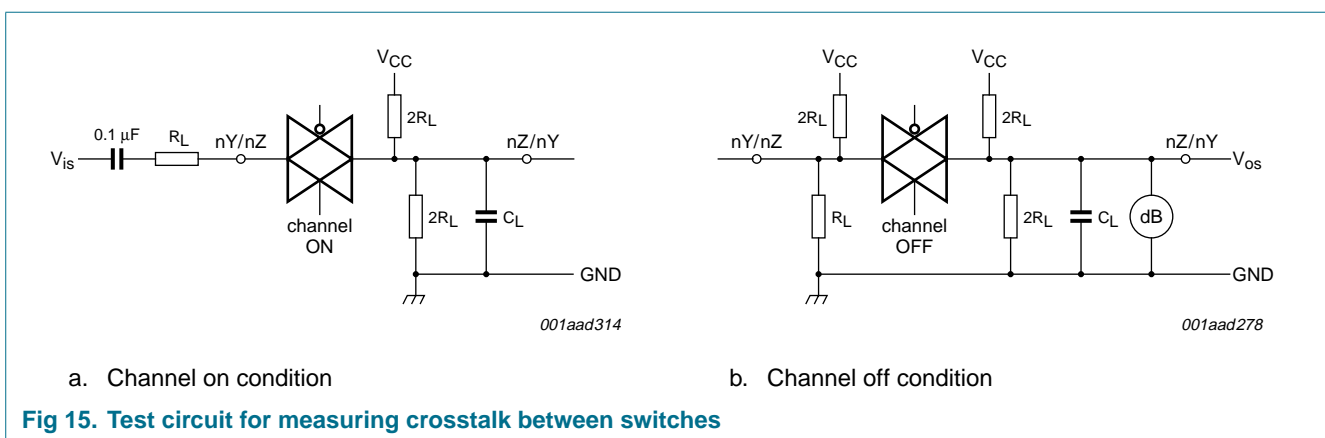


Fig 15. Test circuit for measuring crosstalk between switches

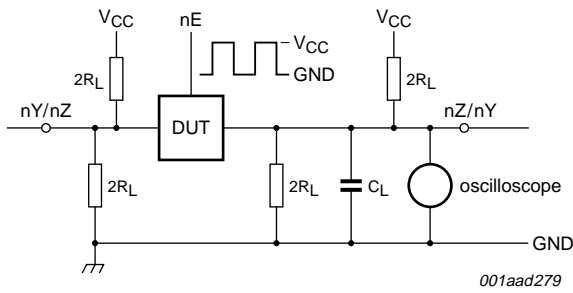


Fig 16. Test circuit for measuring crosstalk between enable and any switch

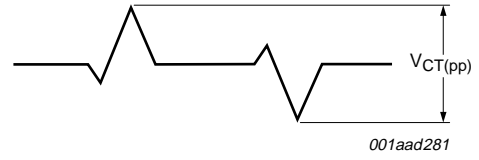


Fig 17. Crosstalk definition (oscilloscope output)

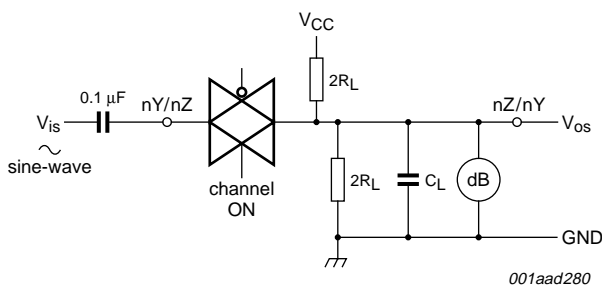
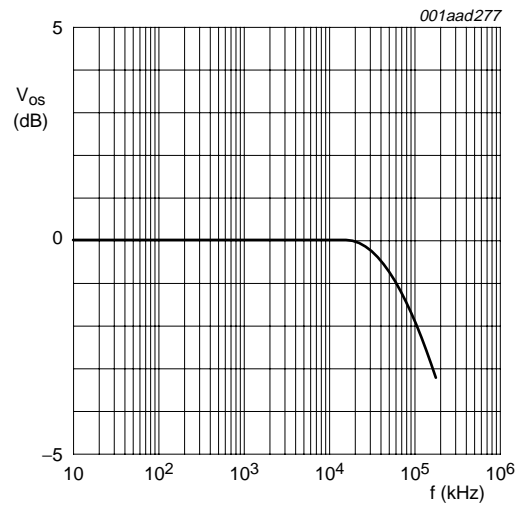


Fig 18. Test circuit for measuring minimum frequency response



$V_{CC} = 3.0\text{ V}; GND = 0\text{ V}; R_L = 50\ \Omega;$
 $R_{SOURCE} = 1\text{ k}\Omega.$

Fig 19. Frequency response

14. Package outline

DIP14: plastic dual in-line package; 14 leads (300 mil)

SOT27-1

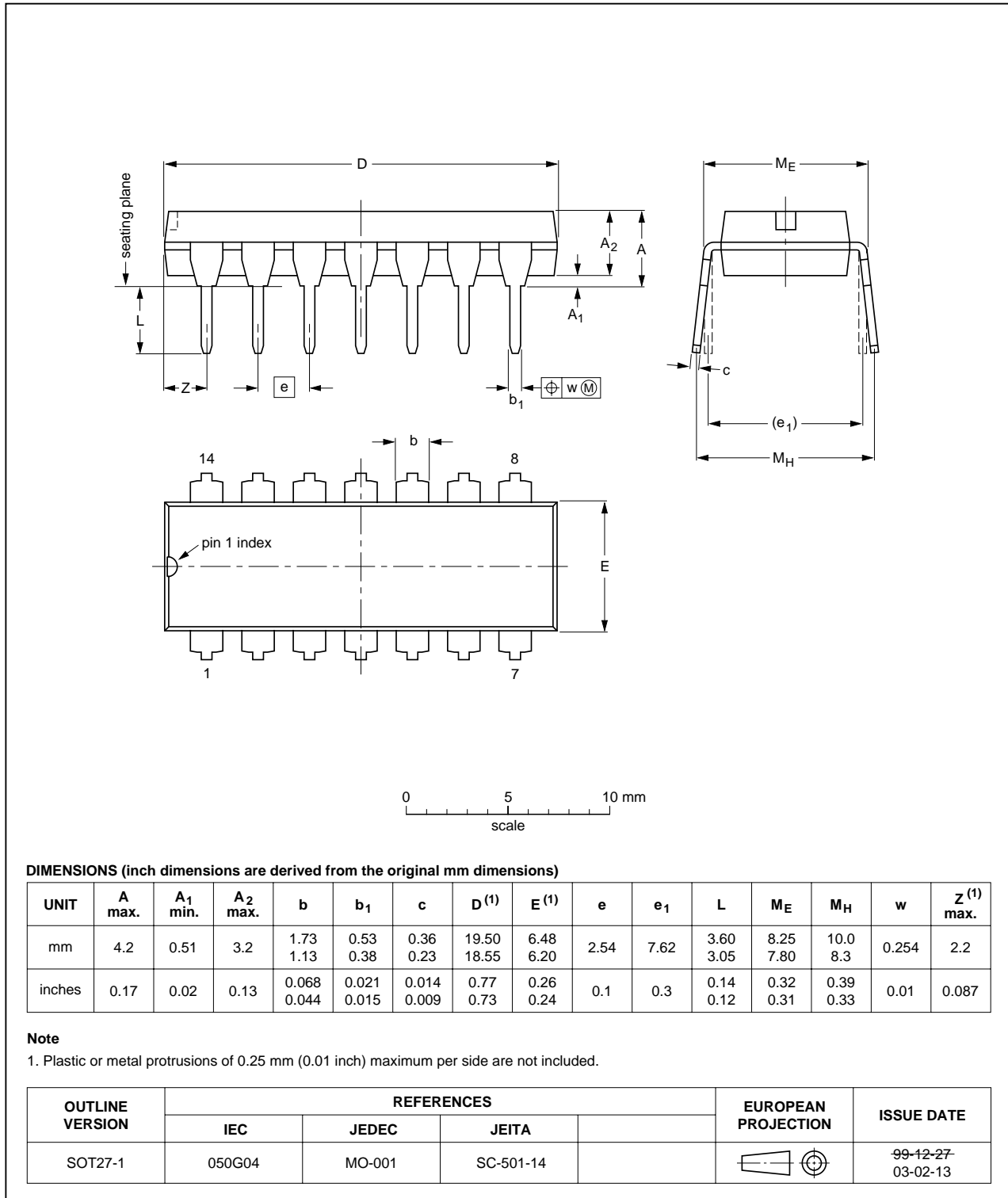


Fig 20. Package outline SOT27-1 (DIP14)

SO14: plastic small outline package; 14 leads; body width 3.9 mm

SOT108-1

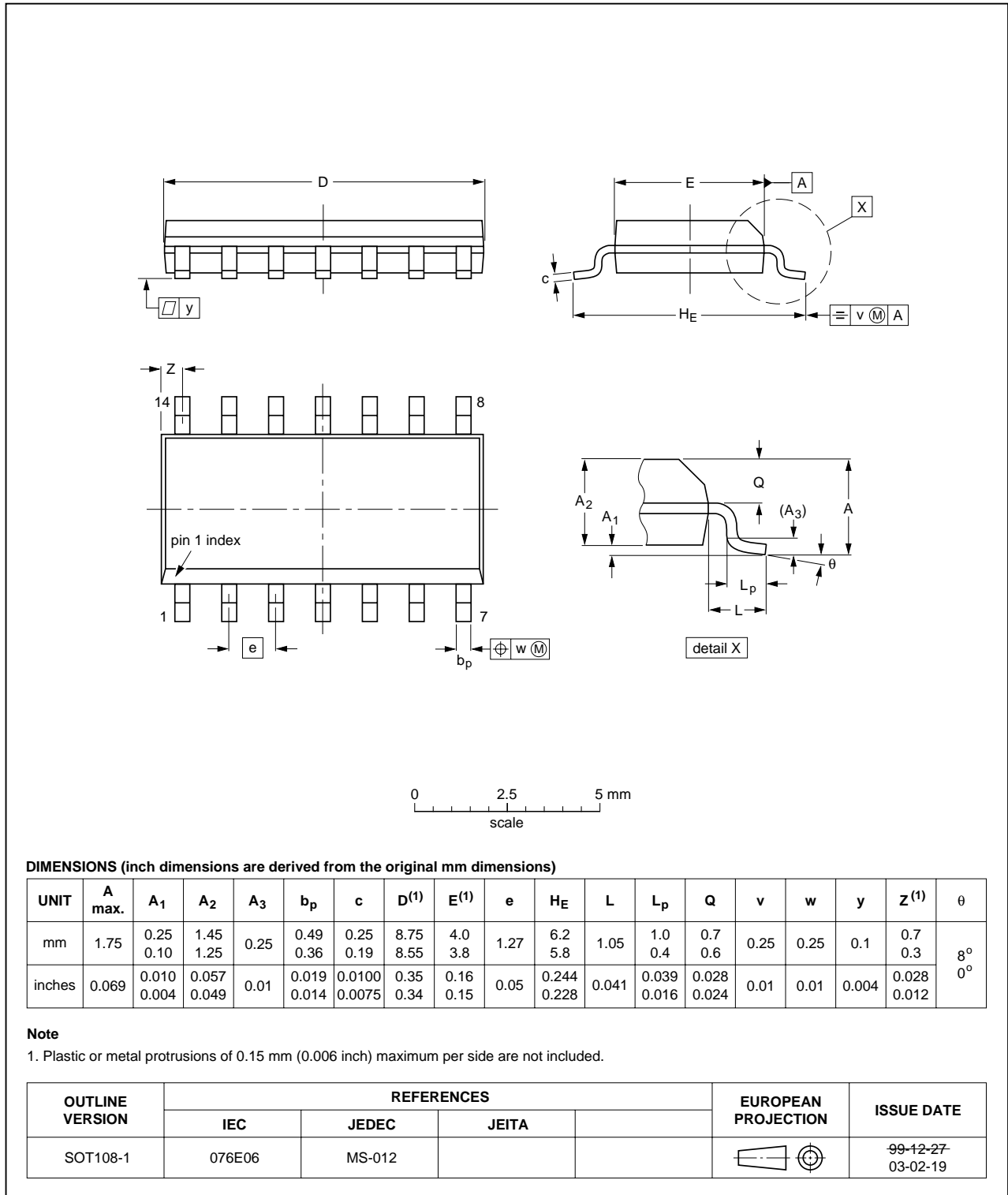


Fig 21. Package outline SOT108-1 (SO14)

SSOP14: plastic shrink small outline package; 14 leads; body width 5.3 mm

SOT337-1

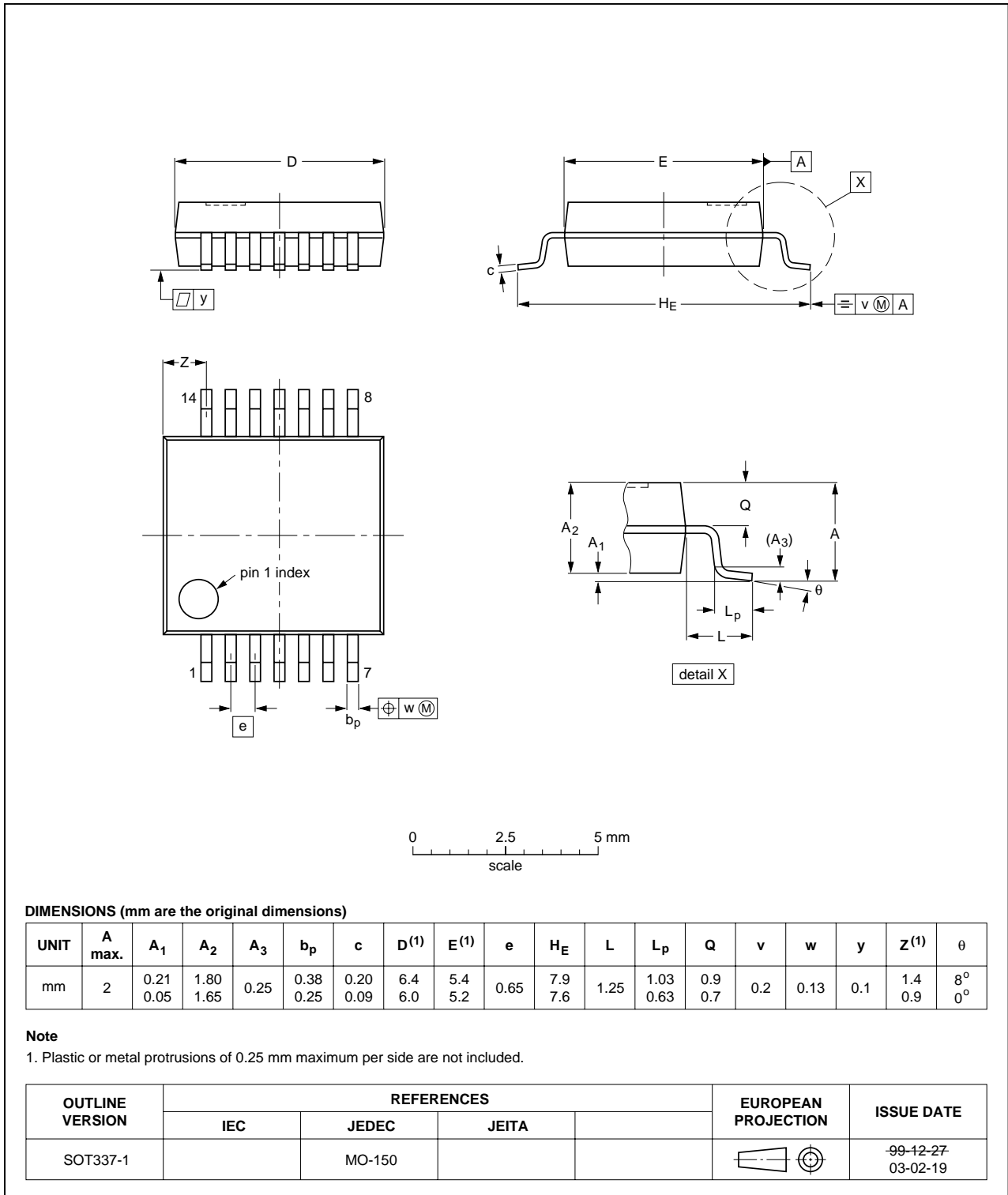


Fig 22. Package outline SOT337-1 (SSOP14)

TSSOP14: plastic thin shrink small outline package; 14 leads; body width 4.4 mm

SOT402-1

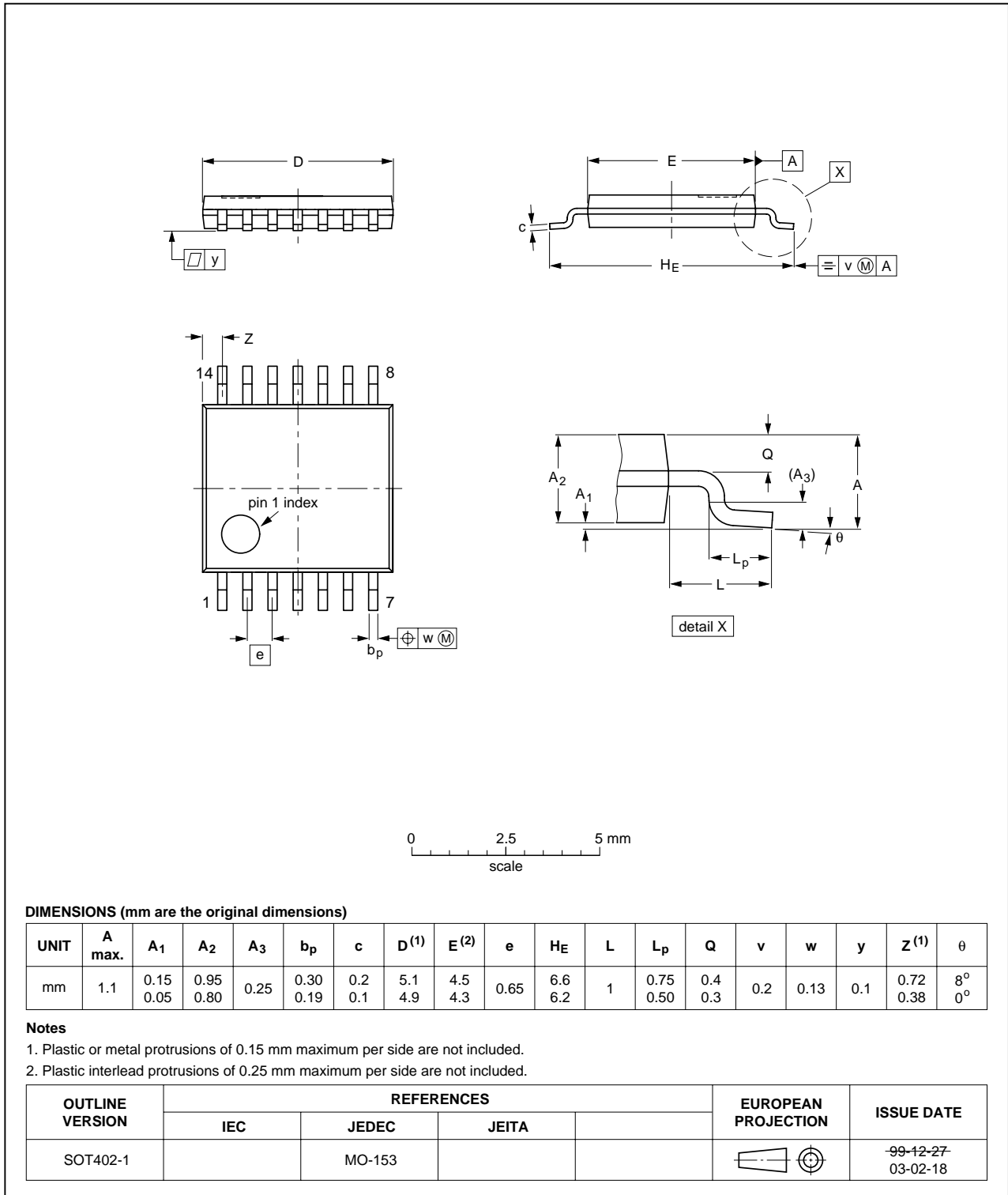


Fig 23. Package outline SOT402-1 (TSSOP14)

15. Revision history

Table 13: Revision history

Document ID	Release date	Data sheet status	Change notice	Doc. number	Supersedes
74LV4066_3	20050704	Product data sheet	-	9397 750 15209	74LV4066_2
Modifications:	<ul style="list-style-type: none">The format of this data sheet has been redesigned to comply with the new presentation and information standard of Philips Semiconductors.Table 2: corrected package names.				
74LV4066_2	19980623	Product specification	-	9397 750 04659	-

16. Data sheet status

Level	Data sheet status ^[1]	Product status ^{[2] [3]}	Definition
I	Objective data	Development	This data sheet contains data from the objective specification for product development. Philips Semiconductors reserves the right to change the specification in any manner without notice.
II	Preliminary data	Qualification	This data sheet contains data from the preliminary specification. Supplementary data will be published at a later date. Philips Semiconductors reserves the right to change the specification without notice, in order to improve the design and supply the best possible product.
III	Product data	Production	This data sheet contains data from the product specification. Philips Semiconductors reserves the right to make changes at any time in order to improve the design, manufacturing and supply. Relevant changes will be communicated via a Customer Product/Process Change Notification (CPCN).

[1] Please consult the most recently issued data sheet before initiating or completing a design.

[2] The product status of the device(s) described in this data sheet may have changed since this data sheet was published. The latest information is available on the Internet at URL <http://www.semiconductors.philips.com>.

[3] For data sheets describing multiple type numbers, the highest-level product status determines the data sheet status.

17. Definitions

Short-form specification — The data in a short-form specification is extracted from a full data sheet with the same type number and title. For detailed information see the relevant data sheet or data handbook.

Limiting values definition — Limiting values given are in accordance with the Absolute Maximum Rating System (IEC 60134). Stress above one or more of the limiting values may cause permanent damage to the device. These are stress ratings only and operation of the device at these or at any other conditions above those given in the Characteristics sections of the specification is not implied. Exposure to limiting values for extended periods may affect device reliability.

Application information — Applications that are described herein for any of these products are for illustrative purposes only. Philips Semiconductors make no representation or warranty that such applications will be suitable for the specified use without further testing or modification.

18. Disclaimers

Life support — These products are not designed for use in life support appliances, devices, or systems where malfunction of these products can reasonably be expected to result in personal injury. Philips Semiconductors

20. Contact information

For additional information, please visit: <http://www.semiconductors.philips.com>

For sales office addresses, send an email to: sales.addresses@www.semiconductors.philips.com

customers using or selling these products for use in such applications do so at their own risk and agree to fully indemnify Philips Semiconductors for any damages resulting from such application.

Right to make changes — Philips Semiconductors reserves the right to make changes in the products - including circuits, standard cells, and/or software - described or contained herein in order to improve design and/or performance. When the product is in full production (status 'Production'), relevant changes will be communicated via a Customer Product/Process Change Notification (CPCN). Philips Semiconductors assumes no responsibility or liability for the use of any of these products, conveys no license or title under any patent, copyright, or mask work right to these products, and makes no representations or warranties that these products are free from patent, copyright, or mask work right infringement, unless otherwise specified.

19. Trademarks

Notice — All referenced brands, product names, service names and trademarks are the property of their respective owners.

21. Contents

1	General description	1
2	Features	1
3	Quick reference data	2
4	Ordering information	2
5	Functional diagram	3
6	Pinning information	4
6.1	Pinning	4
6.2	Pin description	4
7	Functional description	4
7.1	Function table	4
8	Limiting values	5
9	Recommended operating conditions	5
10	Static characteristics	6
11	Dynamic characteristics	10
12	Waveforms	12
13	Additional dynamic characteristics	14
14	Package outline	17
15	Revision history	21
16	Data sheet status	22
17	Definitions	22
18	Disclaimers	22
19	Trademarks	22
20	Contact information	22



© Koninklijke Philips Electronics N.V. 2005

All rights are reserved. Reproduction in whole or in part is prohibited without the prior written consent of the copyright owner. The information presented in this document does not form part of any quotation or contract, is believed to be accurate and reliable and may be changed without notice. No liability will be accepted by the publisher for any consequence of its use. Publication thereof does not convey nor imply any license under patent- or other industrial or intellectual property rights.

Date of release: 4 July 2005
Document number: 9397 750 15209

Published in The Netherlands