

PRODUCT NUMBER

75869-YXXLF

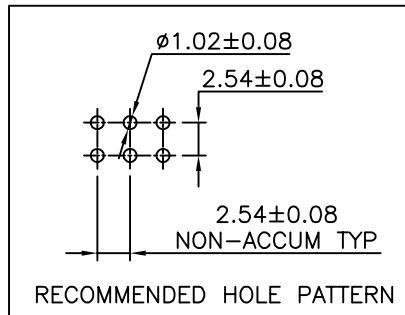
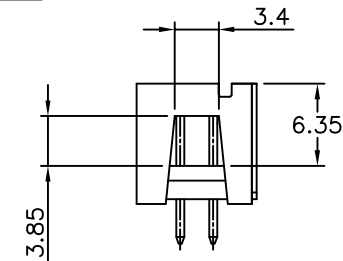
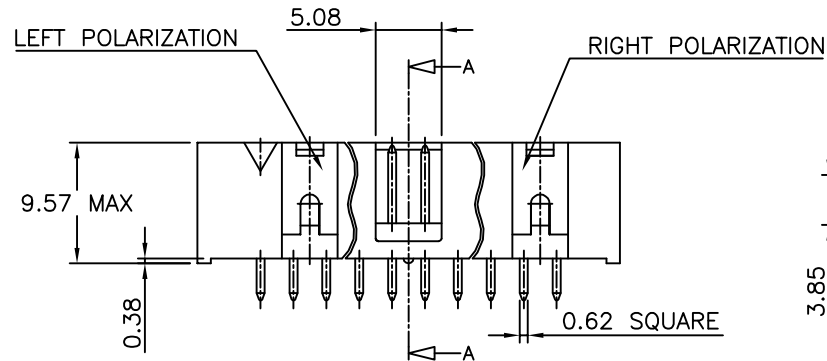
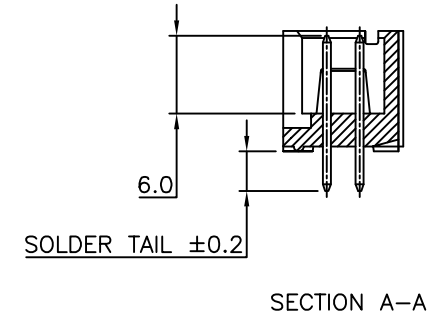
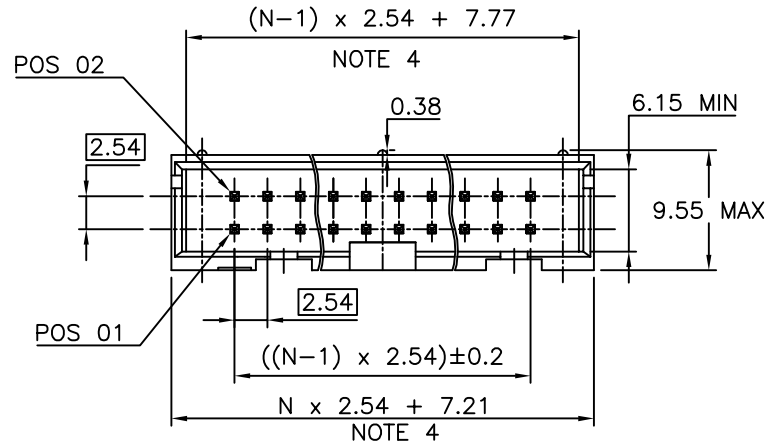
WHEN REQUIRED, ADD SUFFIX LETTER "LF"
INDICATES THE PRODUCT IS RoHS
COMPATIBLE, SEE NOTE 5

PIN STYLE, SEE SHEET 2 & 3.

PLATING SEE SHEET 2 & 3.

NOTES:

- 1 - HOUSING MAT'L : GLASS FILLED
THERMOPLASTIC. UL94V-0 COLOR: BLUE
PART MEETS WITH GWT (725°C;960°C)
- 2 - PIN MATERIAL : PHOSPHOR BRONZE
- 3 - PACKAGING :
POLYBAGS FROM 2X02 TO 2X04 POSITIONS
TUBE FROM 2X05 TO 2X32 POSITIONS
- 4 - TO DETERMINE DIMENSIONS :
N = NUMBER OF POSITIONS PER ROW
EXAMPLE : 8 POS $N \times 2.54 = 20.32\text{mm}$
- 5 - RoHS COMPATIBLE PRODUCT SPECIFICATIONS
 - a - PLATING:
 - "LF" MEANS THE PRODUCT IS LEAD-FREE,
2µm MINIMUM MATTE TIN OVER 1.27µm
MINIMUM NICKEL UNDERPLATE.
 - b - MANUFACTURING PROCESS COMPATIBILITY
 - THE HOUSING WILL WITHSTAND EXPOSURE TO
260°C ±5°C SOLDER BATH TEMPERATURE FOR
5 SECONDS IN A WAVE SOLDER APPLICATION
WITH A 1.6mm MIN THICK CIRCUIT BOARD.
 - c - LABELLING:
 - MEETS PACKAGING SPECS AS PER GS-14-920
 - d - LEGAL STATEMENT: SEE GS-22-008



mat'l. code		surface		tolerance		projection		product family	
SEE NOTES		ISO 1302		ISO 406 ISO 1101		mm		QUICKIE	
ltr	ecn no	dr	date	tolerances unless otherwise specified		mm		title	
BK	F12-0086	JCO	12.07.17	angles	.X ±0.3	mm		SHR.LP.HEADER	
BL	F12-0805	LMU	12.10.25	linear	.XX ±0.13	scale 2.5:1		STR DR TMT	
					.XXX ±0.05				
BF	F08-0137	LMU	08.03.10	dr	D.LE	01.01.24		dwg no	
BG	F08-0146	YOY	08.04.11	engr	JM.C	01.01.24		sheet 1 of 3	
BH	F10-0217	LMU	10.09.18	chr	JF.N	01.01.24		size	
BJ	F10-0258	LMU	10.12.15	appd	JM.C	01.01.24		A3	
sheet	revision	BL	BD	G				type	
index	sheet	1	2	3				CUSTOMER Drawing	

CORE RANGE

PIN STYLE	NUMBER OF POSITIONS	SOLDER TAIL REF	LEFT POLARIZATION	RIGHT POLARIZATION
30	2 x 2	3.05	NO	NO
31	2 x 3	3.05	NO	NO
32	2 x 4	3.05	NO	NO
01	2 x 5	3.05	NO	YES
02	2 x 7	3.05	NO	YES
03	2 x 8	3.05	YES	YES
04	2 x 10	3.05	YES	YES
05	2 x 13	3.05	YES	YES
33	2 x 15	3.05	YES	YES
06	2 x 17	3.05	YES	YES
07	2 x 20	3.05	YES	YES
08	2 x 25	3.05	YES	YES
09	2 x 30	3.05	YES	YES
10	2 x 32	3.05	YES	YES

PLATING :

1 = 0.76µm GOLD/GXT
(PdNi WITH GOLD FLASH) ON CONTACT AREA
3.81µm TIN-LEAD ON TAIL
UNDERPLATE : 1.27µm Ni MIN

- WHEN SUFFIX LETTER "LF" IS REQUIRED,
2µm MIN MATTE TIN OVER 1.27µm MIN
NICKEL IS PROVIDED INSTEAD OF TIN-LEAD

CATALOGUE RANGE

PIN STYLE	NUMBER OF POSITIONS	SOLDER TAIL REF	LEFT POLARIZATION	RIGHT POLARIZATION
30	2 x 2	3.05	NO	NO
31	2 x 3	3.05	NO	NO
32	2 x 4	3.05	NO	NO
01	2 x 5	3.05	NO	YES
02	2 x 7	3.05	NO	YES
03	2 x 8	3.05	YES	YES
04	2 x 10	3.05	YES	YES
05	2 x 13	3.05	YES	YES
33	2 x 15	3.05	YES	YES
06	2 x 17	3.05	YES	YES
07	2 x 20	3.05	YES	YES
08	2 x 25	3.05	YES	YES
09	2 x 30	3.05	YES	YES
10	2 x 32	3.05	YES	YES

PLATING :

2 = 3.81µm TIN LEAD FULL PLATED

3 = 0.38µm GOLD/GXT
(PdNi WITH GOLD FLASH) ON CONTACT AREA
3.81µm TIN-LEAD ON TAIL
UNDERPLATE : 1.27µm Ni MIN

- WHEN SUFFIX LETTER "LF" IS REQUIRED,
2µm MIN MATTE TIN OVER 1.27µm MIN
NICKEL IS PROVIDED INSTEAD OF TIN-LEAD



FCIconnect.com

Copyright FCI

mat'l. code		surface		tolerance		projection		product family	
		ISO 1302		ISO 406 ISO 1101				QUICKIE	
ltr	ecn no	dr	date	tolerances unless otherwise specified		mm		title	
BC	F08-0137	LMU	08.03.10	angles	linear	mm		SHR.LP.HEADER	
BD	F08-0146	YOV	08.04.11			scale N/A		STR DR TMT	
AX	F20138	LMU	02.02.07	dr	D.LE	01.01.24		dwg no	
AY	F04-0389	JCO	04.12.22	enrg	JM.C	01.01.24		sheet 2 of - size	
BA	F06-0229	LMU	06.07.18	chr	JF.N	01.01.24		75869 A3	
BB	F07-0198	LMU	07.05.30	appd	JM.C	01.01.24		CUSTOMER Drawing	
sheet index	revision sheet								

APPLICATION SPECIFIC

PIN STYLE	NUMBER OF POSITIONS	SOLDER TAIL REF	PIN MISSING	LEFT POLARIZATION	RIGHT POLARIZATION
44	2x03	3.05	PIN 2	NO	NO
40	2x03	3.05	PIN 6	NO	NO
51	2x03	7.60		NO	NO
41	2x04	3.05	PIN 1	NO	NO
55	2x04	3.05	PIN 8	NO	NO
59	2x05	3.05	PIN 1,2,9,10	NO	YES
* 60	2x05	3.05	PIN 9	NO	YES
37	2x07	3.05	PIN 1	NO	YES
13	2x07	3.05	PIN 3	NO	YES
14	2x07	3.05	PIN 5	NO	YES
46	2x07	3.05	PIN 6	NO	YES
12	2x07	3.05	PIN 7	NO	YES
57	2x07	3.05	PIN 12	NO	YES
11	2x07	3.05	PIN 13	NO	YES
56	2x07	3.05	PIN 14	NO	YES
43	2x08	3.05	PIN 6 & 7	YES	YES
38	2x10	3.05	PIN 2	YES	YES
34	2x10	3.05	PIN 15	YES	YES
58	2x10	3.05	PIN 18	YES	YES
35	2x13	3.05	PIN 26	YES	YES
25	2x13	7.60		YES	YES
54	2x15	7.60		YES	YES
19	2x15	4.10		YES	YES
17	2x17	3.05	PIN 3	YES	YES
39	2x17	3.05	PIN 5	YES	YES
26	2x17	7.60		YES	YES
15	2x20	3.05	PIN 8	YES	YES
16	2x20	3.05	PIN 17	YES	YES
18	2x20	3.05	PIN 20	YES	YES
36	2x20	3.05	PIN 37	YES	YES
45	2x20	3.05	PIN 25,27,28	YES	YES
27	2x20	7.60		YES	YES
42	2x25	3.05	PIN 25	YES	YES
28	2x25	7.60		YES	YES
62	2x25	4.10		YES	YES

PLATING :

- 1 = 0.76µm GOLD/GXT
(PdNi WITH GOLD FLASH) ON CONTACT AREA
3.81µm TIN-LEAD ON TAIL
- 2 = 3.81µm TIN LEAD FULL PLATED
- 3 = 0.38µm GOLD/GXT
(PdNi WITH GOLD FLASH) ON CONTACT AREA
3.81µm TIN-LEAD ON TAIL
UNDERPLATE : 1.27µm Ni MIN
- WHEN SUFFIX LETTER "LF" IS REQUIRED,
2µm MIN MATTE TIN OVER 1.27µm MIN
NICKEL IS PROVIDED INSTEAD OF TIN-LEAD

mat'l. code		surface <input checked="" type="checkbox"/> ISO 1302		tolerance <input checked="" type="checkbox"/> ISO 406 <input type="checkbox"/> ISO 1101		projection		product family QUICKIE	
ltr	ecn no	dr	date	tolerances unless otherwise specified				title	
A	F20138	LMU	02.02.07	angles	linear	mm		SHR.LP.HEADER	
B	F04-0389	JCO	04.12.22			scale N/A		STR DR TMT	
C	F06-0229	LMU	06.07.18					dwg no	
D	F07-0198	LMU	07.05.30	dr	MULIN.L	02.01.29	sheet 3 of - size		
E	F08-0146	YOY	08.04.11	engr	COMPAGNON.J	02.01.29	75869 A3		
F	F10-0217	LMU	10.09.16	chr	NOTTEAU.JF	02.01.29	type CUSTOMER Drawing		
G	F12-0086	JCO	12.07.17	appd	JM.C	02.01.29			
sheet index	revision sheet								



FCIconnect.com

Copyright FCI