

THIS DRAWING IS UNPUBLISHED. RELEASED FOR PUBLICATION
 © COPYRIGHT BY TYCO ELECTRONICS CORPORATION. ALL RIGHTS RESERVED.

LOC	DIST	REVISIONS					
		P	LTR	DESCRIPTION	DATE	DWN	APVD
AD	00		B	REVISED PER ECO-08-010684	5/5/08	SS	MM
			B1	REVISED PER ECO-09-024927	10NOV09	KK	AEQ

SPECIFICATIONS:

MATERIALS-

INSULATOR: UL94V-0 (SEE TABLE FOR MATERIAL)
 CONTACT: BERYLLIUM COPPER (SEE TABLE FOR PLATING)

ELECTRICAL-

CONTACT RESISTANCE: GOLD - 15 MILLIOHMS, PER MIL-STD-12883
 TIN - 25 MILLIOHMS MAX
 CONTACT RATING: 10 AMPS DC
 DIELECTRIC WITHSTANDING VOLTAGE- 1500 VOLTS(RMS)

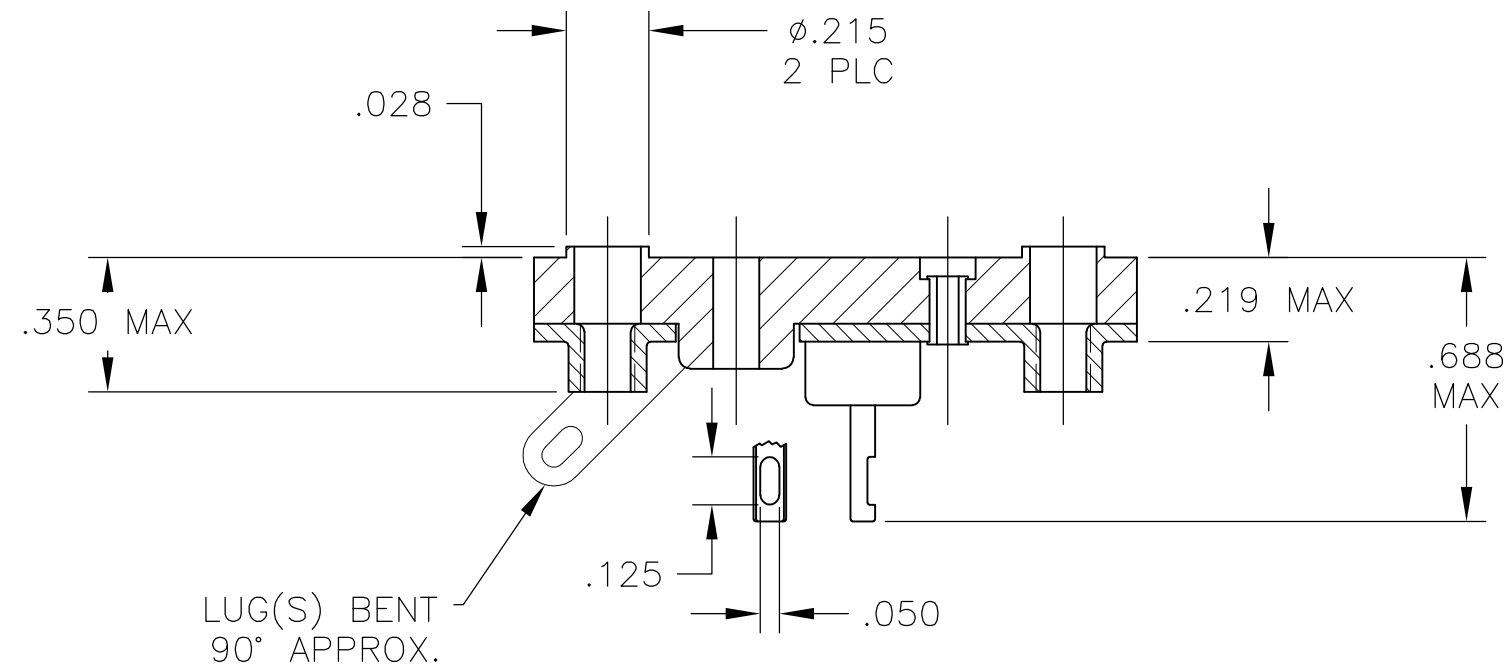
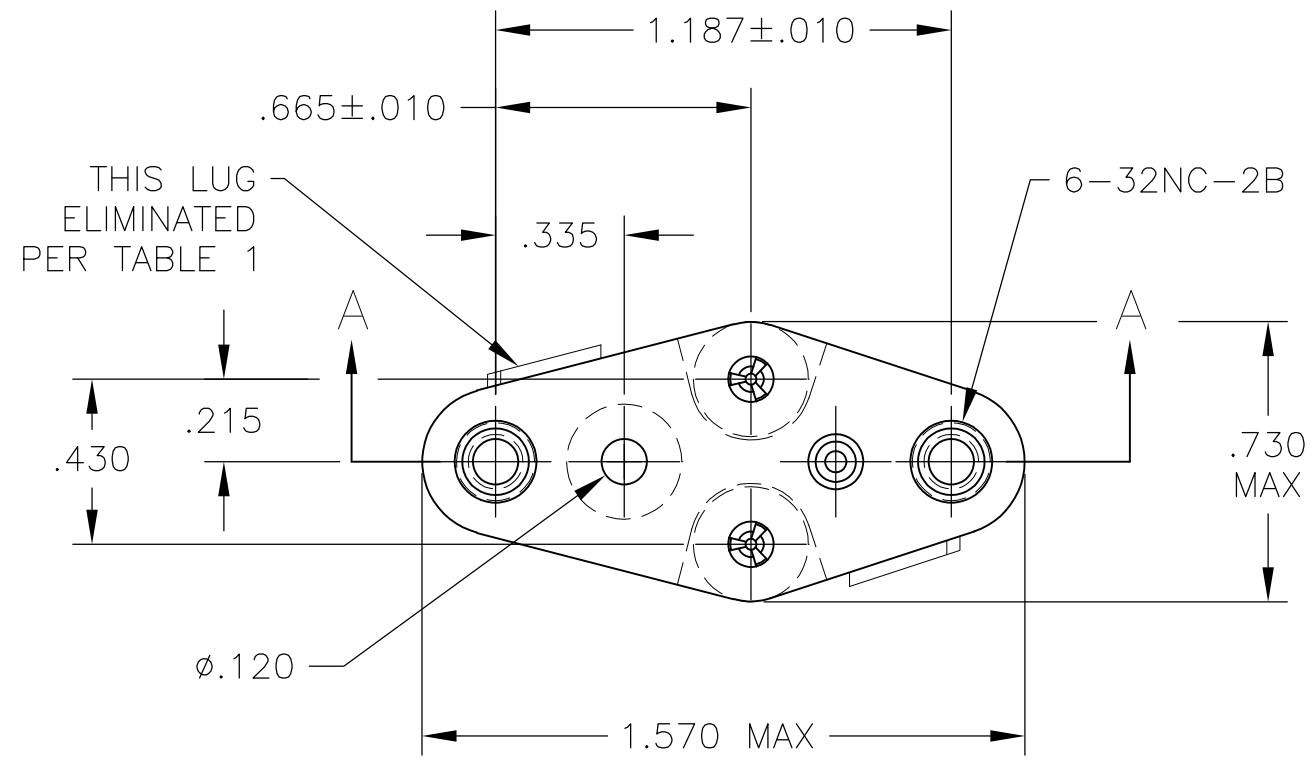
MECHANICAL-

OPERATIONAL TEMPERATURE: DAP -67F TO +257F
 (-55C TO +125C)

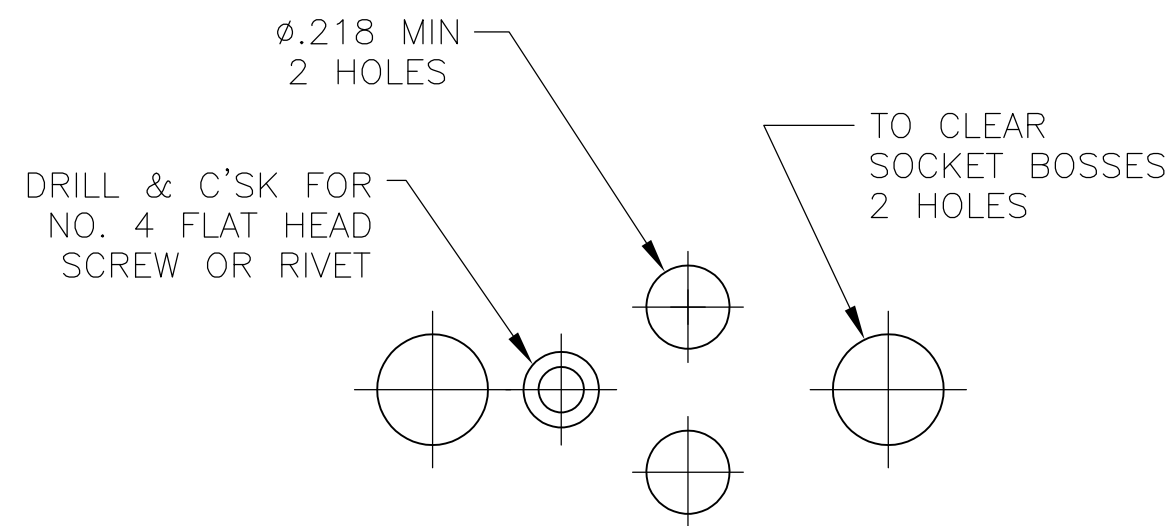
NOTES

1. INTERPRET DRAWING PER ASME Y14.5M-1994.
2. THIS ASSEMBLY IS INTENDED FOR USE WITH SEMI-CONDUCTORS PACKAGED WITHIN THE OUTLINE DIMENSIONS OF THE "TO-3".
3. LUG(S) IS AN INTERNAL PART OF SADDLE.
4. .000200 MIN THK TIN-LEAD PLATE OVER .000100 MIN THK COPPER PLATE.
5. .000030 MIN THK GOLD PLATE OVER .000050 MIN THK NICKEL PLATE.
6. .000500 MIN THK SILVER PLATE.
7. .000050 MIN THK GOLD PLATE OVER .000050 MIN THK NICKEL PLATE.
8. .000200 MIN THK MATTE TIN PLATE OVER .000100 MIN THK COPPER PLATE.

9. OBSOLETE PARTS: OBSOLETE CIS STREAMLINING PER D.RENAUD/D.SINISI



SECTION A-A



RECOMMENDED CHASSIS HOLE LAYOUT

1	.060	DIALLYL PHTHALATE-GREEN OR BLUE	NOTE 5	8080-1G39-LF	9-1437504-9	
1	.060	DIALLYL PHTHALATE-GREEN OR BLUE	NOTE 6	8080-1G37-LF	9-1437504-8	
1	.060	PHENOLIC-BLACK	NOTE 6	8080-1G36-LF	6-6437504-2	
1	.060	DIALLYL PHTHALATE-GREEN OR BLUE	NOTE 8	8080-1G35-LF	9-1437504-7	
2	.060	DIALLYL PHTHALATE-GREEN OR BLUE	NOTE 5	8080-1G34-LF	9-1437504-6	
2	.060	PHENOLIC-BLACK	NOTE 5	8080-1G33-LF	9-1437504-5	
2	.060	PHENOLIC-BLACK	NOTE 6	8080-1G32-LF	9-1437504-4	
2	.060	DIALLYL PHTHALATE-GREEN OR BLUE	NOTE 8	8080-1G31-LF	9-1437504-3	
1	.040	DIALLYL PHTHALATE-GREEN OR BLUE	NOTE 5	8080-1G25-LF	9-1437504-1	
1	.040	DIALLYL PHTHALATE-GREEN OR BLUE	NOTE 8	8080-1G24-LF	9-1437504-0	
1	.060	DIALLYL PHTHALATE-GREEN OR BLUE	NOTE 5	8080-1G39	4-1437504-9	
1	.060	PHENOLIC-BLACK	NOTE 5	8080-1G38	-	
1	.060	DIALLYL PHTHALATE-GREEN OR BLUE	NOTE 6	8080-1G37	4-1437504-8	
1	.060	PHENOLIC-BLACK	NOTE 6	8080-1G36	6-1437504-2	
1	.060	DIALLYL PHTHALATE-GREEN OR BLUE	NOTE 4	8080-1G35	4-1437504-7	
2	.060	DIALLYL PHTHALATE-GREEN OR BLUE	NOTE 5	8080-1G34	4-1437504-6	
2	.060	PHENOLIC-BLACK	NOTE 5	8080-1G33	4-1437504-5	
2	.060	PHENOLIC-BLACK	NOTE 6	8080-1G32	4-1437504-4	
2	.060	DIALLYL PHTHALATE-GREEN OR BLUE	NOTE 4	8080-1G31	4-1437504-3	
1	.040	PHENOLIC-BLACK	NOTE 7	8080-1G30	-	
1	.040	PHENOLIC-BLACK	NOTE 6	8080-1G29	-	
2	.040	PHENOLIC-BLACK	NOTE 7	8080-1G28	-	
2	.040	PHENOLIC-BLACK	NOTE 6	8080-1G27	-	
1	.040	DIALLYL PHTHALATE-GREEN OR BLUE	NOTE 5	8080-1G25	4-1437504-1	
1	.040	DIALLYL PHTHALATE-GREEN OR BLUE	NOTE 4	8080-1G24	4-1437504-0	
2	.040	DIALLYL PHTHALATE-GREEN OR BLUE	NOTE 4	8080-1G23	-	
LUG QTY (SEE NOTE 3)	LEAD DIA +.003/- .002	INSULATOR MATERIAL		CONTACT PLATING	AUGAT PT. NO.	PART NUMBER

OBSOLETE

THIS DRAWING IS A CONTROLLED DOCUMENT.

DWN R BROWN 11APR03	Tyco Electronics Corporation Harrisburg, PA 17105-3608	NAME	TRANSISTOR SOCKET		
CHK K WRIGHT 11APR03		SIZE	A2	CAGE CODE	00779
APVD K WRIGHT 11APR03		DRAWING NO	C=4-1437504-0		RESTRICTED TO
PRODUCT SPEC		SCALE	2:1	SHEET	1 of 1
APPLICATION SPEC	WEIGHT	-		REV	B1
MATERIAL	FINISH	-		CUSTOMER DRAWING	