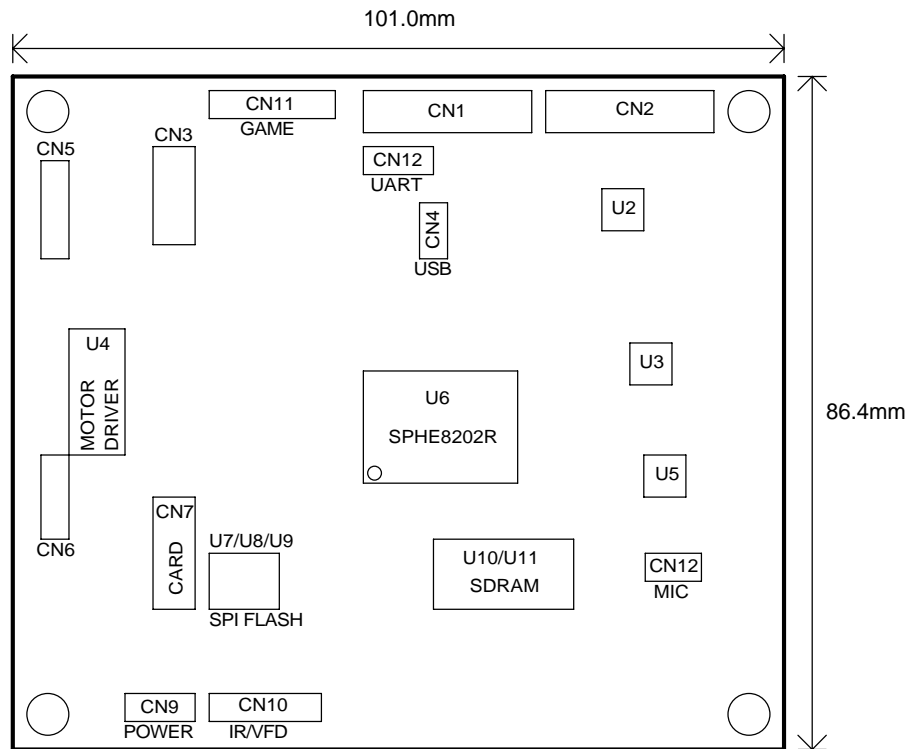


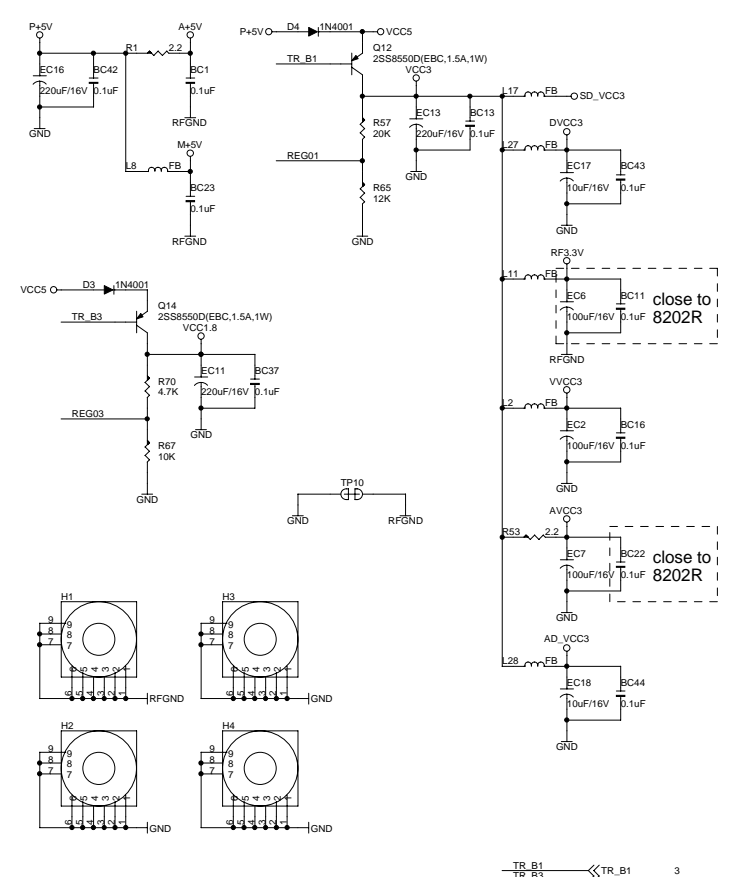
Sunplus SPHE8202R Demo Board

8202R-16-SY-128-0-CZ

- 01: INDEX / PLACEMENT
- 02: POWER / CONNECTOR
- 03: SPHE8202R
- 04: SDRAM / SPI FLASH
- 05: VIDEO
- 06: AUDIO

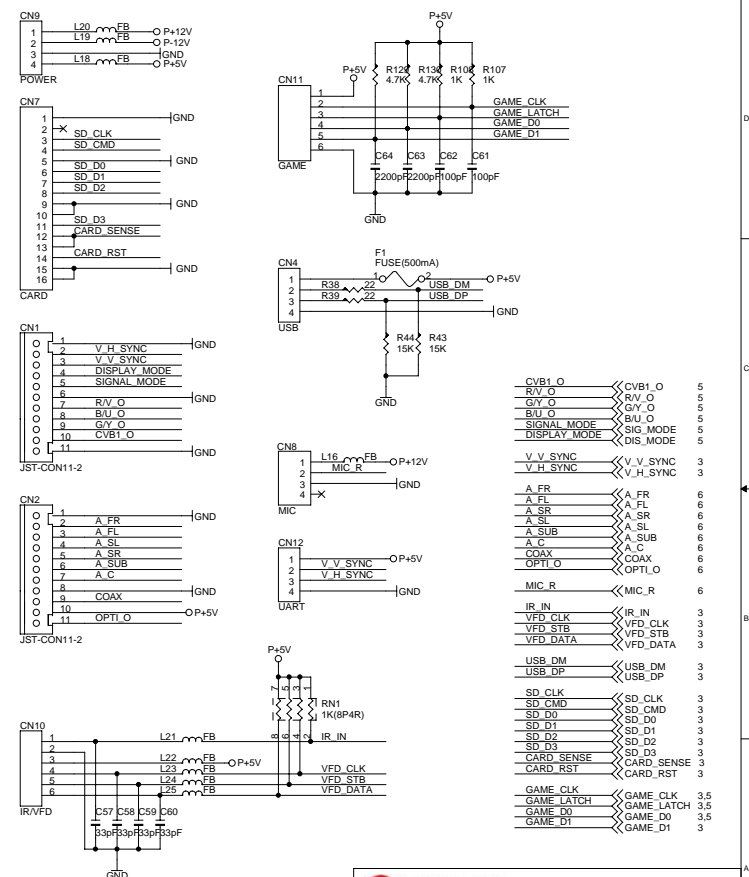


Title		INDEX / PLACEMENT	
Size	Document Number	Rev	
Custom	8202R-16-SY-128-0-CZ	CZ	
Date:	Monday, May 14, 2007	Sheet	1 of 7



Power Bead > 2A, RAC@100 MHz
= 70 ohm, RDC(max)= 0.4 ohm

- TR_B1 << TR_B1 3
- TR_B3 << TR_B3 3
- REG01 << REG01 3
- REG03 << REG03 3



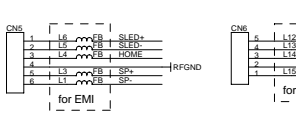
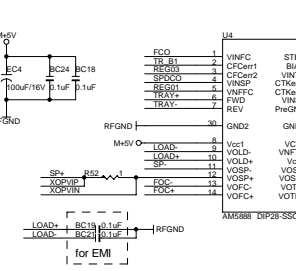
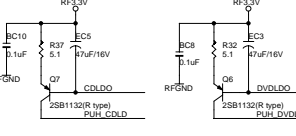
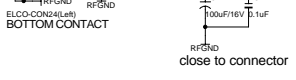
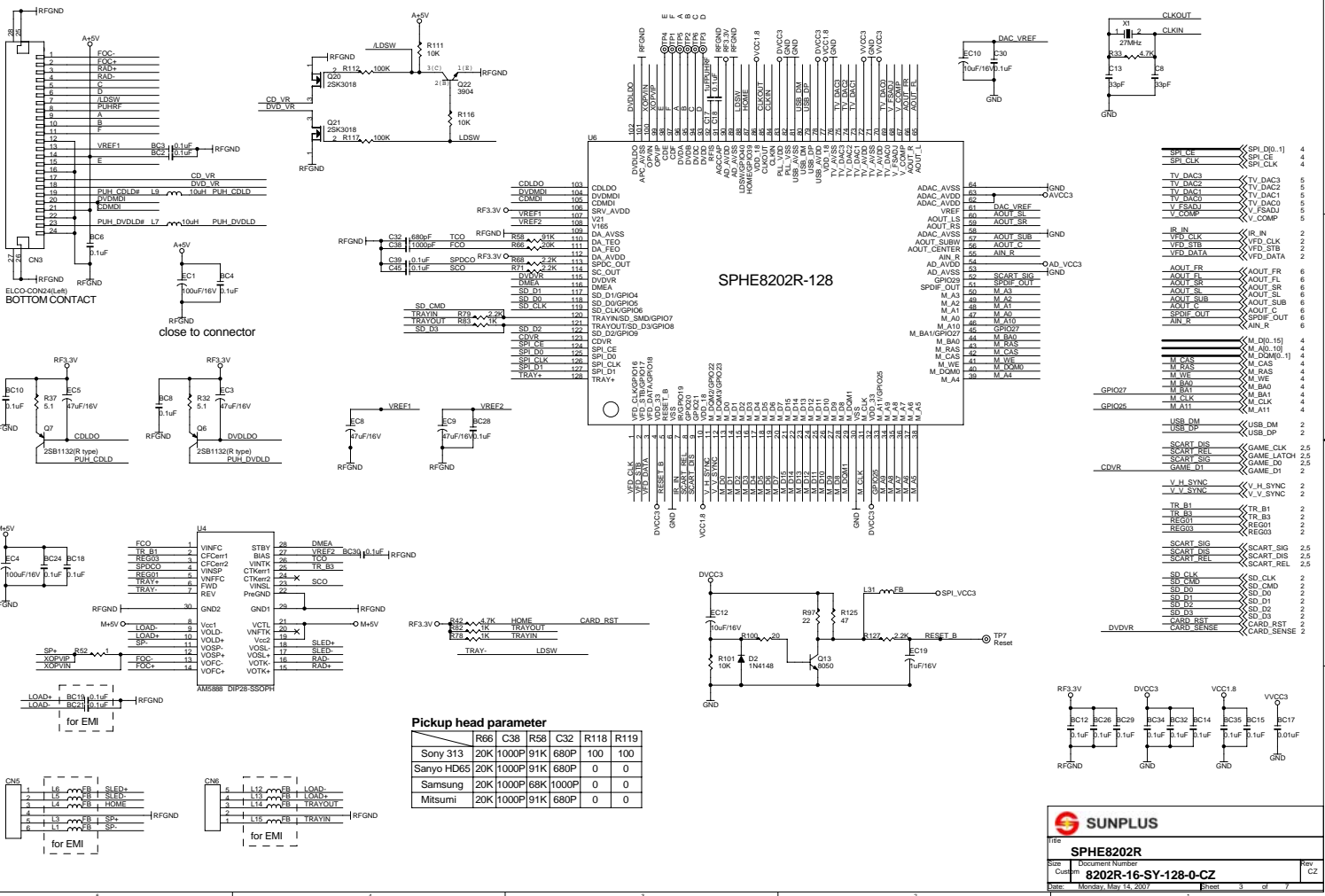
- CVB1_O << CVB1_O 5
- R/V_O << R/V_O 5
- G/Y_O << G/Y_O 5
- B/U_O << B/U_O 5
- SIGNAL_MODE << SIG_MODE 5
- DISPLAY_MODE << DIS_MODE 5
- V.V. SYNC << V.V. SYNC 3
- V.H. SYNC << V.H. SYNC 3
- A.FR << A.FR 6
- A.FL << A.FL 6
- A.SR << A.SR 6
- A.SL << A.SL 6
- A.SUB << A.SUB 6
- A.C << A.C 6
- COAX << COAX 6
- OPTI_O << OPTI_O 6
- MIC_R << MIC_R 6
- IR_IN << IR_IN 3
- VFD_CLK << VFD_CLK 3
- VFD_STB << VFD_STB 3
- VFD_DATA << VFD_DATA 3
- USB_DM << USB_DM 3
- USB_DP << USB_DP 3
- SD_CLK << SD_CLK 3
- SD_CMD << SD_CMD 3
- SD_D0 << SD_D0 3
- SD_D1 << SD_D1 3
- SD_D2 << SD_D2 3
- SD_D3 << SD_D3 3
- CARD_SENSE << CARD_SENSE 3
- CARD_RST << CARD_RST 3
- GAME_CLK << GAME_CLK 3,5
- GAME_LATCH << GAME_LATCH 3,5
- GAME_D0 << GAME_D0 3,5
- GAME_D1 << GAME_D1 3

SUNPLUS

Title: **POWER / CONNECTOR**

Size: Custom Document Number: **8202R-16-SY-128-0-CZ** Rev: CZ

Date: Monday, May 14, 2007 Sheet: 2 of 7



Pickup head parameter

	R66	C38	R58	C32	R118	R119
Sony 313	20K	1000P	91K	680P	100	100
Sanyo HD65	20K	1000P	91K	680P	0	0
Samsung	20K	1000P	68K	1000P	0	0
Mitsumi	20K	1000P	91K	680P	0	0

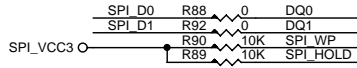
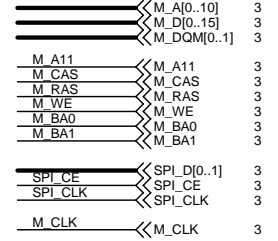
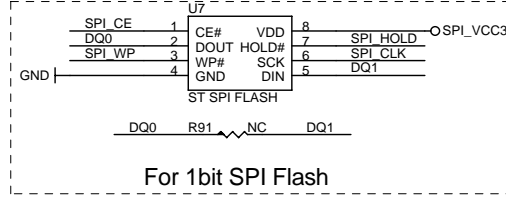
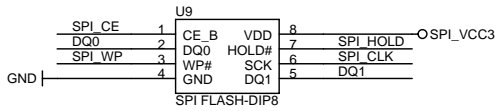
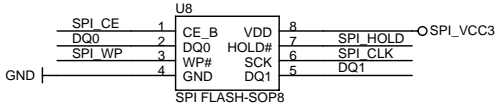
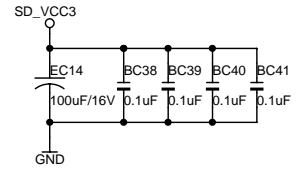
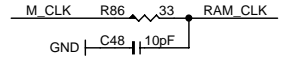
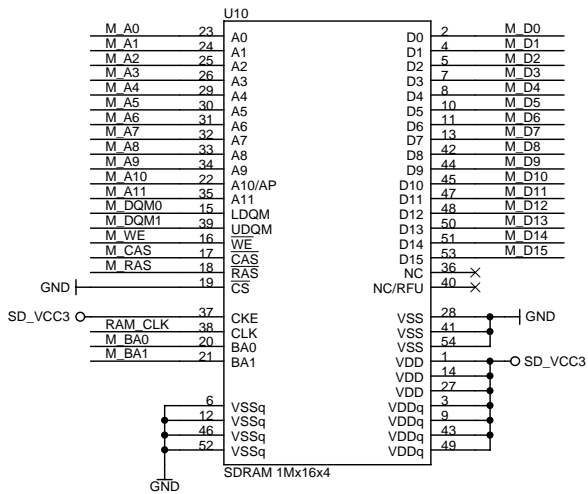
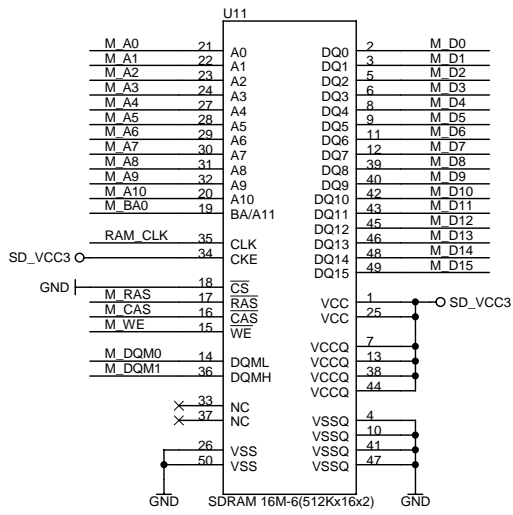
SUNPLUS

Model: **SPHE8202R**

Serial: **8202R-16-SY-128-0-CZ**

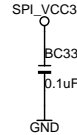
Date: Monday, May 14, 2007

Page: 3 of 7



SPI Mode Setting

	2bit	1bit
R91	NC	0
R92	0	NC

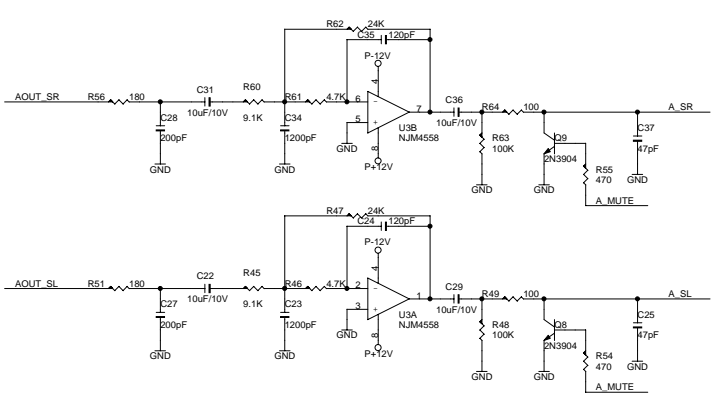
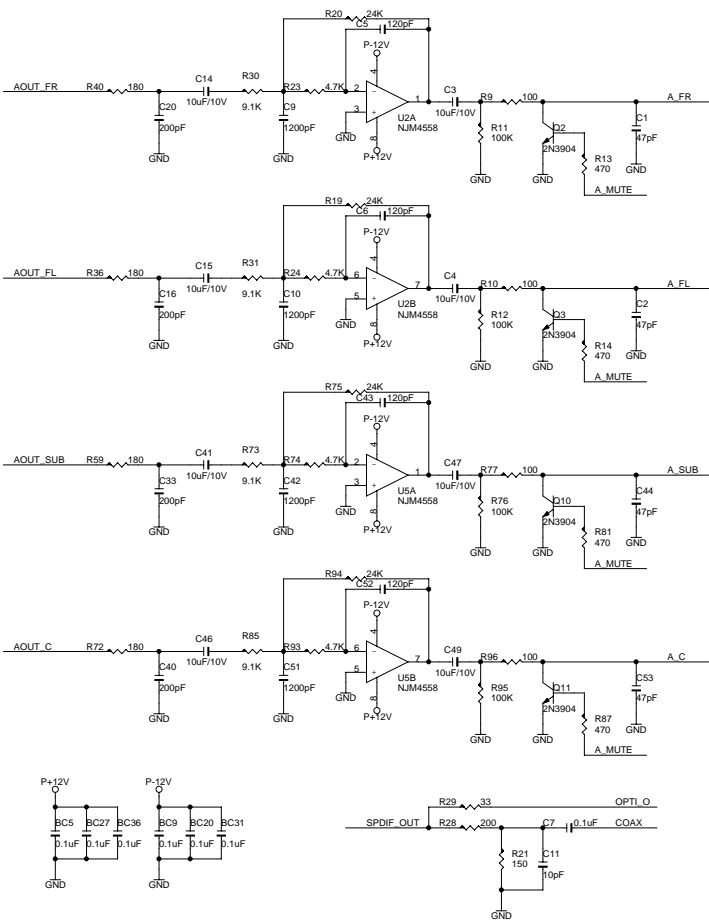


SUNPLUS

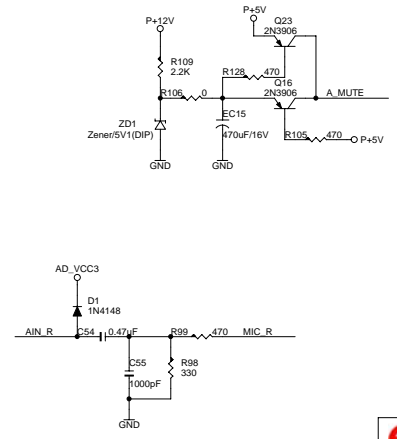
Title: **SDRAM / SPI FLASH**

Size: Custom Document Number **8202R-16-SY-128-0-CZ** Rev CZ

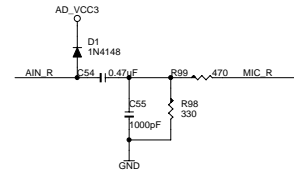
Date: Monday, May 14, 2007 Sheet 4 of 7



Power ON / OFF Mute




-A FR	A FR	2
-A FL	A FL	2
-A SR	A SR	2
-A SL	A SL	2
-A SUB	A SUB	2
-A C	A C	2
-AOUT_FR	AOUT_FR	3
-AOUT_FL	AOUT_FL	3
-AOUT_SR	AOUT_SR	3
-AOUT_SL	AOUT_SL	3
-AOUT_SUB	AOUT_SUB	3
-AOUT_C	AOUT_C	3
-COAX	COAX	2
-SPDIF_OUT	SPDIF_OUT	3
-AIN_R	AIN_R	3
-MIC_R	MIC_R	2
-OPTI_O	OPTI_O	2



AUDIO
 Document Number: **8202R-16-SY-128-0-CZ**
 Date: Monday, May 14, 2007 Sheet 6 of 7

8202R GPIO LIST

PIN	GPIO	16M SDRAM	64M SDRAM
87	39	Servo HOME / CARD_RST	Servo HOME / CARD_RST
115	2	DVDVR	DVDVR / CARD_SENSE(2)
117	4	SD_D1 / MS_D1	SD_D1 / MS_D1
118	5	SD_D0 / SD_D0	SD_D0 / SD_D0
119	6	SD_CLK / MS_CLK	SD_CLK / MS_CLK
120	7	Servo TRAY_IS_IN / SD_CMD / MS_BS	Servo TRAY_IS_IN / SD_CMD / MS_BS
121	8	Servo TRAY_IS_OUT / SD_D3 / MS_D3	Servo TRAY_IS_OUT / SD_D3 / MS_D3
122	9	SD_D2 / MS_D2	SD_D2 / MS_D2
123	10	CDVR	CDVR / GAME_D1(2)
1	16	VFD_CLK	VFD_CLK
2	17	VFD_STB	VFD_STB
3	18	VFD_DATA	VFD_DATA
7	19	IR_IN	IR_IN
8	20	SCART_REL / GAME_LATCH	SCART_REL / GAME_LATCH
9	21	SCART_DIS / GAME_CLK	SCART_DIS / GAME_CLK
11	22	HSYNC(1) / RX(1)	HSYNC(1) / RX(1)
12	23	VSYNC(1) / TX(1)	VSYNC(1) / TX(1)
33	25	HSYNC(2) / RX(2) / CARD_SENSE(1)	M_A11
45	27	VSYNC(2) / TX(2) / GAME_D1(1)	M_BA1
52	29	SCART_SIG / GAME_D0	SCART_SIG / GAME_D0

 SUNPLUS		
Title		
GPIO LIST		
Size	Document Number	Rev
Custom	8202R-16-SY-128-0-CZ	CZ
Date:	Monday, May 14, 2007	Sheet 7 of 7