

REVISIONS			
REV.	DESCRIPTION	ECN NO.	DATE
01	FIRST RELEASE	N/A	11/20/15

When ordering, please add suffix "T" to the part number for tape & reel packaging (330mm reel).

PAGE 4 & 5 ARE FOR INTERNAL ONLY

PART NUMBER	PART DESCRIPTION
824-00514F	RoHS compliant per EU Directive 2011/65/EU

TITLE
**TRANSFORMER, 1000BASE-T, DUAL,
 SMD, 50 PIN, EXT. TEMP.**


WARNING !
 ALL SHEETS OF THIS DOCUMENT ARE CONTROLLED DOCUMENTATION AND ARE NOT TO BE RELEASED OUTSIDE OF E&E OR ITS SUB-CONTRACTORS WITHOUT AUTHORIZATION.

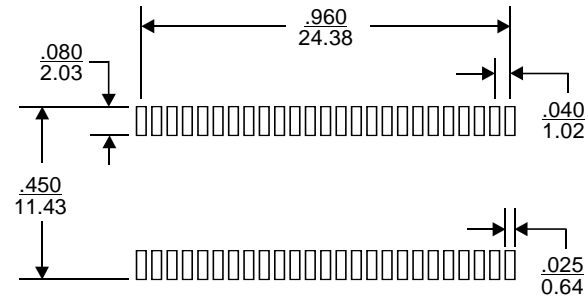
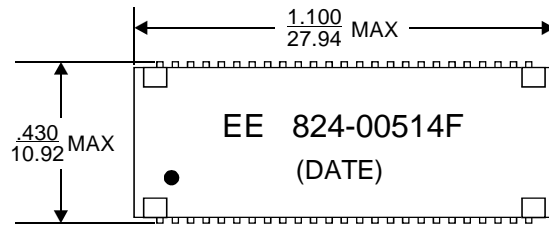
UNLESS OTHERWISE SPECIFIED, DIMENSIONS ARE IN INCH/mm.

 TOLERANCE ARE:

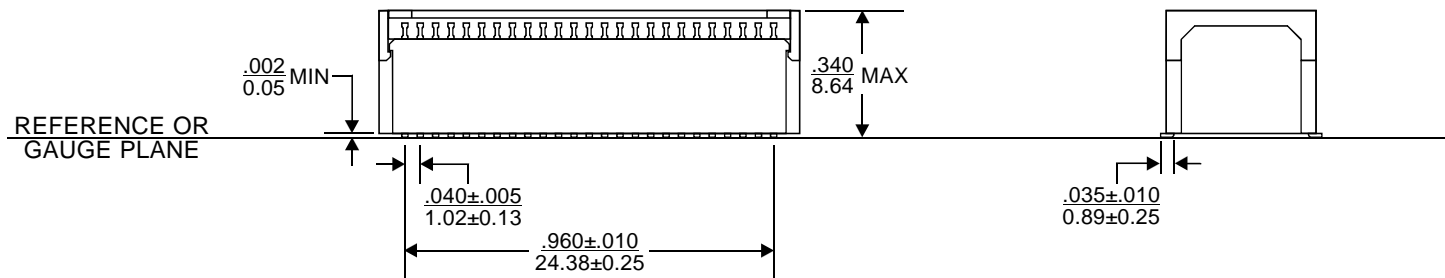
INCH	mm	ANGLE
.XXX ± .005	.XX ± .13	X.X ± 0.3
.XX ± .02	.X ± .5	X. ± 1

APPROVALS	DATE
DRAWN BY Y.L. YUNG	11/20/15
PROJ. ENG Y.L. YUNG	11/20/15
APPROVED BY D. YUNG	11/20/15
Q.A. D. LUO	11/20/15

 E & E Magnetic Products Ltd.	
DRAWING NO./MODEL 824-00514F	REV 01
SCALE DO NOT SCALE	PAGE 1 OF 5



Recommended Pad Layout



1. Dimensions are specified in $\frac{\text{inches}}{\text{mm}}$ with higher precedence in inches.
2. Unless otherwise specified, all tolerances are $\pm \frac{.010}{0.25}$.
3. Coplanarity: $\frac{.004}{0.10}$ max.
4. "(DATE)" includes at least the manufacturing date code (in YYWW format) plus two character country code.

MECHANICAL OUTLINE



E & E Magnetic Products Ltd.

DRAWING NO./MODEL

824-00514F

REV

01

SCALE

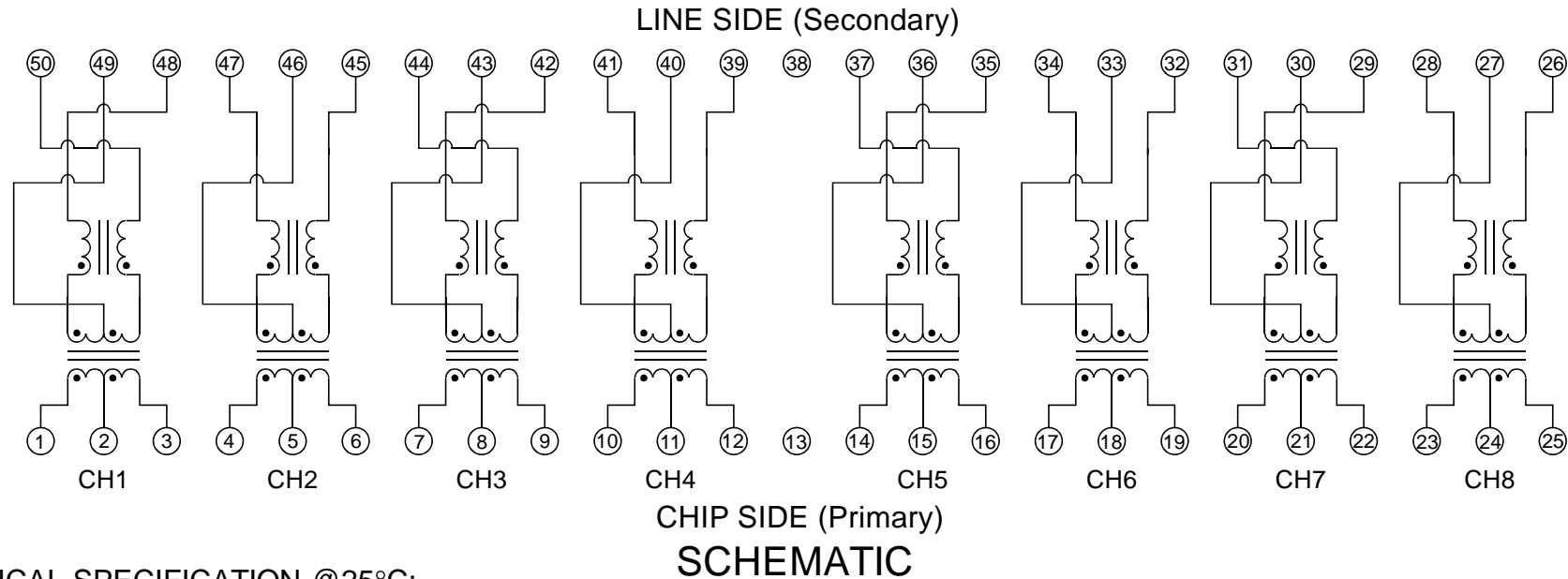
DO NOT SCALE

PAGE

2

OF


5



ELECTRICAL SPECIFICATION @25°C:

PARAMETERS	UNIT	EACH CHANNEL
Turns Ratio(Primary):(Secondary)	-	1CT:1CT ± 2%
Polarity(Primary):(Secondary)	-	Per Schematic
Inductance, Ls(Primary) @100KHz, 0.1Vrms, 8mADC	uH	350 Min
Insertion Loss@1-100MHz	dB	1.2 Max
Return Loss@1-30MHz (100Ω)	dB	18 Min
Return Loss@40MHz (100Ω)	dB	14.4 Min
Return Loss@50MHz (100Ω)	dB	13.1 Min
Return Loss@60-80MHz (100Ω)	dB	12 Min
Return Loss@100MHz (100Ω)	dB	10 Min
DM-CMRR@1-100MHz	dB	30 Min
Crosstalk@1-100MHz, between channels	dB	28 Min
Hipot(Primary):(Secondary)	Vrms	1500 Min

5. Operating temperature: -40°C to +85°C.

 E & E Magnetic Products Ltd.		
DRAWING NO./MODEL		REV
824-00514F		01
SCALE	PAGE	OF
DO NOT SCALE	3	5