

PLEASE CHECK WWW.MOLEX.COM FOR LATEST PART INFORMATION

Part Number: [0855025005](#)
Status: **Active**
Overview: [modular_plugs_jacks](#)
Description: Modular Jack, Right Angle, Low Profile, SMT, 4/4

Documents:

3D Model	Product Specification PS-85502-001 (PDF)
Drawing (PDF)	RoHS Certificate of Compliance (PDF)
Application Specification (PDF)	

Agency Certification

UL E107635

General

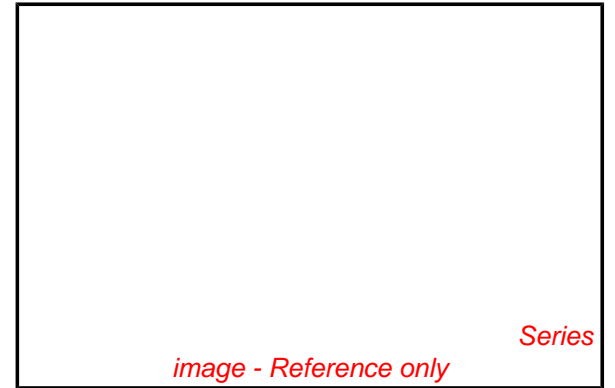
Product Family	Modular Jacks/Plugs
Series	85502
Component Type	PCB Jack
Magnetic	No
Overview	modular_plugs_jacks
Performance Category	3
Power over Ethernet (PoE)	N/A
Product Name	RJ11

Physical

Boot Color	N/A
Color - Resin	Black
Durability (mating cycles max)	500
Flammability	94V-0
Inverted / Top Latch	No
Lightpipes/LEDs	None
Material - Metal	Brass
Material - Plating Mating	Gold
Material - Plating Termination	Tin
Material - Resin	High Temperature Thermoplastic
Orientation	Right Angle (Side Entry)
PCB Locator	No
PCB Retention	Yes
Packaging Type	Embossed Tape on Reel
Pitch - Mating Interface (in)	0.040 In
Pitch - Mating Interface (mm)	1.02 mm
Pitch - Term. Interface (in)	0.050 In
Pitch - Term. Interface (mm)	1.27 mm
Plating min: Mating (µin)	120.00, 50.8
Plating min: Mating (µm)	1.27, 3.000
Plating min: Termination (µin)	120.00, 76
Plating min: Termination (µm)	1.9, 3.00
Ports	1
Positions / Loaded Contacts	4/4
Surface Mount Compatible (SMC)	Yes
Temperature Range - Operating	-40°C to +80°C
Termination Interface: Style	Surface Mount
Waterproof / Dustproof	No
Wire/Cable Type	N/A

Electrical

Current - Maximum per Contact 1.5A



EU RoHS

ELV and RoHS Compliant
REACH SVHC Contains SVHC: No
Halogen-Free Status

China RoHS



Need more information on product environmental compliance?

Email productcompliance@molex.com
 For a multiple part number RoHS Certificate of Compliance, [click here](#)

Please visit the [Contact Us](#) section for any non-product compliance questions.

Search Parts in this Series

[85502Series](#)

Mates With

FCC 68 Plugs

Shielded	No
Voltage - Maximum	125V AC (RMS)

Solder Process Data

Duration at Max. Process Temperature (seconds)	45
Lead-free Process Capability	Reflow Capable (SMT only)
Max. Cycles at Max. Process Temperature	3
Process Temperature max. C	260

Material Info**Reference - Drawing Numbers**

Packaging Specification	PK-85502
Product Specification	PS-85502-001
Sales Drawing	SD-85502-101

This document was generated on 06/07/2010

PLEASE CHECK WWW.MOLEX.COM FOR LATEST PART INFORMATION

10 9 8 7 6 5 4 3 2 1

NOTES:

1- MATERIAL:

HOUSING: LCP GLASS FILLED UL 94V0 COLOUR: BLACK
 TERMINAL: BRASS PLATED WITH:
 0.00127/.000050 MIN GOLD IN CONTACT AREA,
 0.00190/.000075 MIN PURE TIN IN TAIL AREA,
 BOTH OVER 0.00127/.000050 MIN NICKEL OVERALL.
 SOLDER TABS: BRASS PLATED WITH 0.0020/.000078 MIN TIN.

2- JACK FOR MATING WITH F.C.C.68 PLUGS.
 (MOLEX 90075 SERIES).

3- PRODUCT SPECIFICATION: MOLEX PS-85502-001

4- POLYIMIDE ADHESIVE TAPE FOR PICK & PLACE SURFACE.
 THICKNESS: 125 μm/4921 μ''

5- PACKAGING SPECIFICATION: MOLEX PK-85502.
 (BLISTER PACKAGING).

6- COPLANARITY OF SIGNAL LEADS: 0.10/.004

7- SEE DIMENSIONS IN CHART ON SHEET 2.

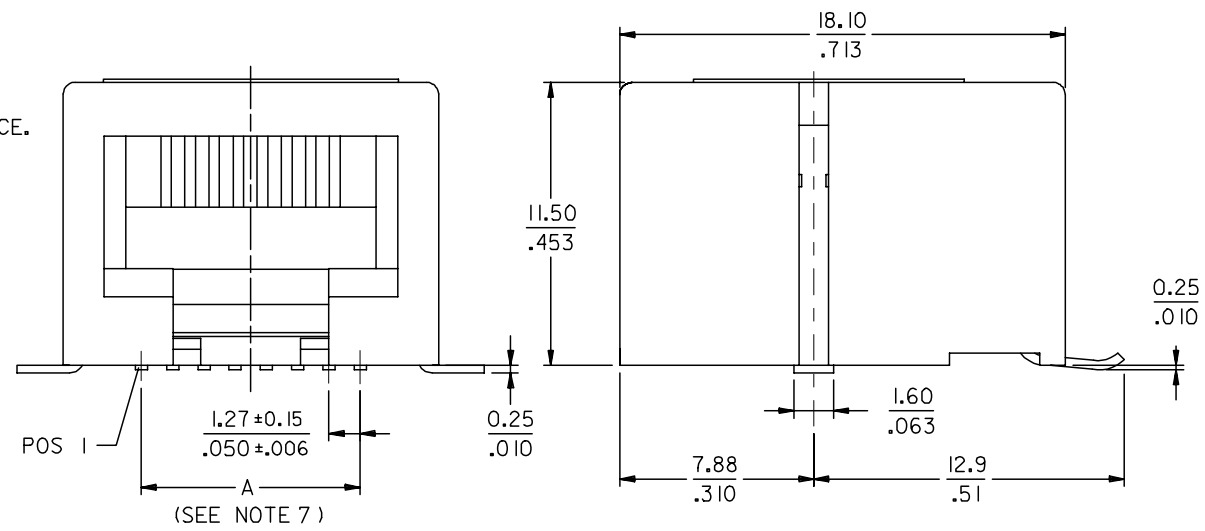
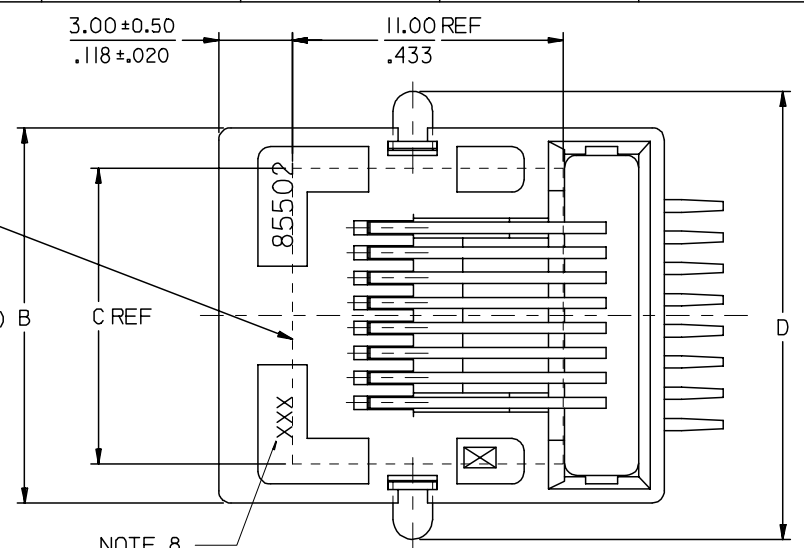
8- MANUFACTURING I.D. CAN BE EITHER MG, MXF OR MXI.

9- APPLICATION SPECIFICATION: AS-85513-001

SEE NOTE 4

(SEE NOTE 7) B

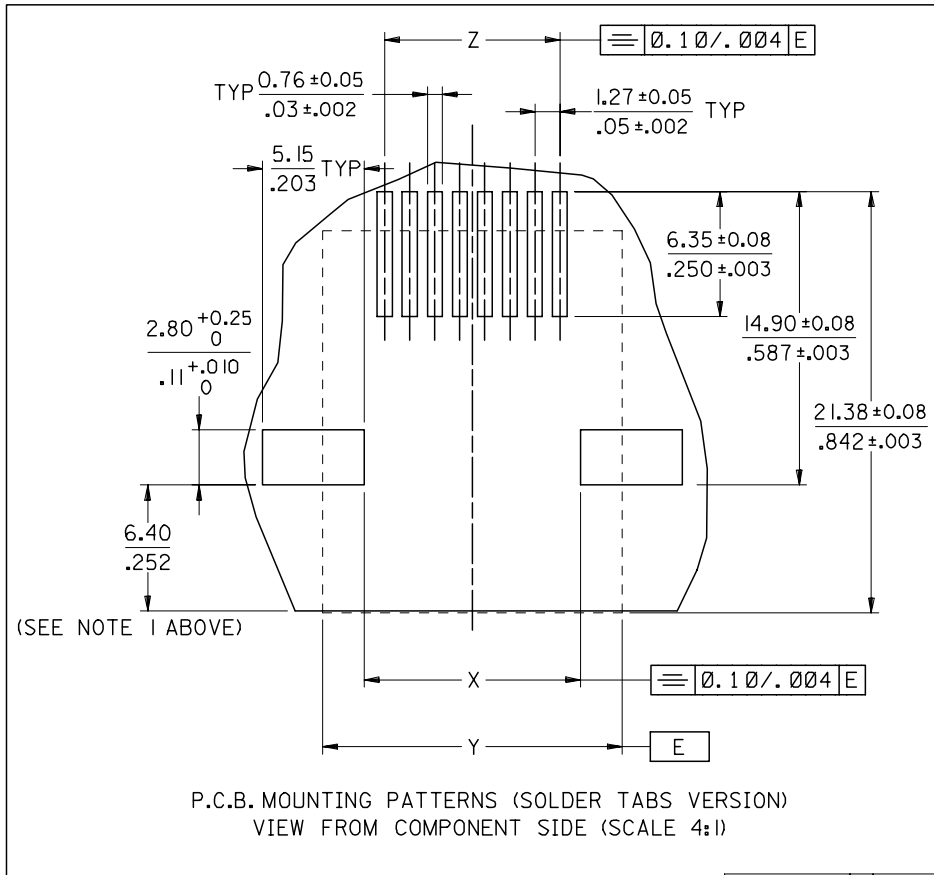
NOTE 8.



MODIFIED MATERIAL EC NO: E2007-0717 DRWN: DBYRNES CHKD: APPR: EOMAHONY 2007/02/15 2007/02/15 2007/02/15	QUALITY SYMBOLS ▽=0 ▽=0	GENERAL TOLERANCES (UNLESS SPECIFIED)		DIMENSION STYLE MM/IN	SCALE 5:1	DESIGN UNITS METRIC	THIRD ANGLE PROJECTION	
		4 PLACES ± --- ± ---	DRAWN BY DB	DATE 2006/06/12	TITLE R/A LOW PROFILE TRUE SMT 4, 6 & 8 CONTACTS PC JACK WITH SIDE SOLDER TABS			
		3 PLACES ± --- ± .010	CHECKED BY EOMAHONY	DATE 2006/06/15	MOLEX INCORPORATED			
		2 PLACES ± 0.25 ± .014	APPROVED BY EOMAHONY	DATE 2006/06/15	MATERIAL NO. SEE CHART SHT 2	DOCUMENT NO. SD-85502-101	SHEET NO. 1 OF 2	
		1 PLACE ± 0.35 ± ---	ANGULAR ± 2 °	DRAFT WHERE APPLICABLE MUST REMAIN WITHIN DIMENSIONS	SIZE A3	THIS DRAWING CONTAINS INFORMATION THAT IS PROPRIETARY TO MOLEX INCORPORATED AND SHOULD NOT BE USED WITHOUT WRITTEN PERMISSION		

9 8 7 6 5 4 3 2 1

NOTE 1: RECOMMENDED DISTANCE FROM THE PCB'S EDGE



PART NUMBERS FOR TRUE SMT JACK WITH SOLDER TABS								
HOUSING COLOR	POS 4	TOOLED	POS 6	TOOLED	POS 6	TOOLED	POS 8	TOOLED
	4 CKTS		4 CKTS		6 CKTS		8 CKTS	
STANDARD VERSION	BLACK	85502-5005	85502-5006	85502-5007	85502-5008			

TYPE	POS 4	POS 6		POS 8
	4 CKTS	4 CKTS	6 CKTS	8 CKTS
A ±0.15/.006	3.81 / .150	3.81 / .150	6.35 / .250	8.89 / .350
B	11.18 / .440	13.21 / .520	13.21 / .520	15.24 / .600
C (REF)	8.50 / .335	8.50 / .335	8.50 / .335	12.00 / .472
D ±0.35/.014	14.13 / .556	16.16 / .636	16.16 / .636	18.19 / .716
X ±0.10/.004	6.94 / .273	8.97 / .353	8.97 / .353	11.00 / .433
Y (REF)	11.18 / .440	13.21 / .520	13.21 / .520	15.24 / .600
Z ±0.05/.002	3.81 / .150	3.81 / .150	6.35 / .250	8.89 / .350

P.C.B. MOUNTING PATTERNS (SOLDER TABS VERSION)
VIEW FROM COMPONENT SIDE (SCALE 4:1)

QUALITY SYMBOLS	▽=0	∇=0
DESCRIPTION	SEE SHEET 1	
REV	EC NO: E2007-0717	
	DRWN:DBYRNES 2007/02/15	
	CHKD: 2007/02/15	
	APPR:EOMAHONY 2007/02/15	

GENERAL TOLERANCES (UNLESS SPECIFIED)	DIMENSION STYLE MM/IN	SCALE 5:1	DESIGN UNITS METRIC	THIRD ANGLE PROJECTION
4 PLACES ± --- ± ---	DRAWN BY DATE DB 2006/06/12	TITLE R/A LOW PROFILE TRUE SMT 4,6 & 8 CONTACTS PC JACK WITH SIDE SOLDER TABS		
3 PLACES ± --- ± .010	CHECKED BY DATE EOMAHONY 2006/06/15			
2 PLACES ± 0.25 ± .014	APPROVED BY DATE EOMAHONY 2006/06/15	MOLEX INCORPORATED		
1 PLACE ± 0.35 ± ---	MATERIAL NO.			
ANGULAR ± 2 °	DRAFT WHERE APPLICABLE MUST REMAIN WITHIN DIMENSIONS	SEE CHART	DOCUMENT NO. SD-85502-101	SHEET NO. 2 OF 2
THIS DRAWING CONTAINS INFORMATION THAT IS PROPRIETARY TO MOLEX INCORPORATED AND SHOULD NOT BE USED WITHOUT WRITTEN PERMISSION				