

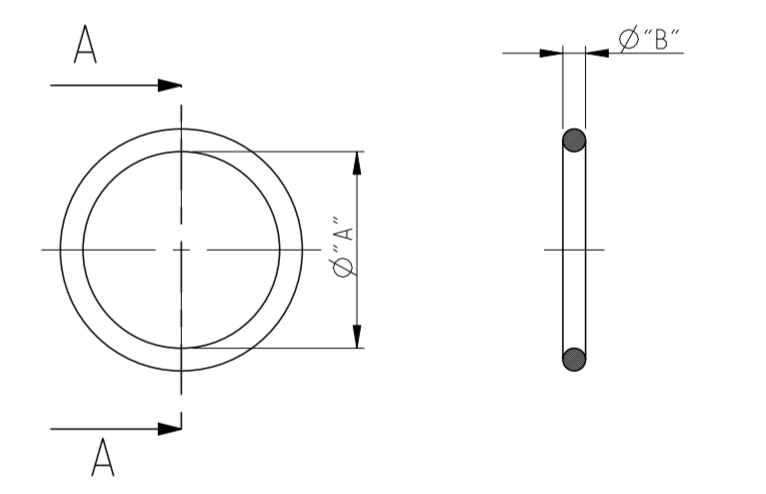
THIS DRAWING IS UNPUBLISHED. RELEASED FOR PUBLICATION
 © COPYRIGHT 1997 ALL RIGHTS RESERVED.

LOC	DIST	REVISIONS					
A1	-	P	LTR	DESCRIPTION	DATE	DWN	APVD
		G7		ECR-11-001659	24 JAN2011	SR	OH
		G8		ECR-11-002636	05 APR2011	SR	AR
		G9		ECR-11-016021	03 AUG2011	GW	OH
		G10		ECR-15-001276	29 JAN2015	GSK	MKO

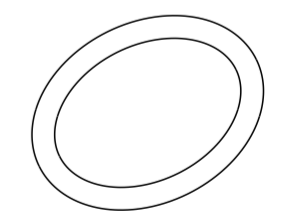
PART NO	A	B	NBR	2	FKM	3	EPDM COND	4	SERIES	NOTE
9-9	28.0	2.5	X	-	-	-	EMV-K3/4	-		
9-4	3.5	1	X	-	-	-	AIR	-		
9-3	4.5	1.5	X	-	-	-	AIR	-		
9-2	47.7	3.5	X	-	-	-	AM-3P	-		
9-1	11.0	1.0	X	-	-	-	AM-1P	-		
8-2	54.0	3.0	X	-	-	-	AM-3P	-		
8-1	50.0	3.0	X	-	-	-	AS-1P	-		
7-6	168.0	3.0	X	-	-	-	AM-4P	-		
7-2	50.0	2.0	-	X	-	-	Pg42	OBSOLETE		
7-1	50.0	2.0	X	-	-	-	Pg42	-		
6-6	135.0	3.0	X	-	-	-	AM-4P	-		
6-2	44.0	2.0	-	X	-	-	Pg36	OBSOLETE		
6-1	44.0	2.0	X	-	-	-	Pg36	-		
5-6	5.0	1.0	X	-	-	-	MDC	-		OBSOLETE
5-3	7.0	3.0	X	-	-	-	AG-M6	-		
5-2	34.0	2.0	-	X	-	-	Pg29	COLOR GREY		OBSOLETE
5-1	34.0	2.0	X	-	-	-	Pg29	-		
4-6	12.5	2.5	X	-	-	-	MDC	-		
4-4	98.0	3.0	-	-	X	-	HP/EMV 24	OBSOLETE		
4-3	98.0	3.0	X	-	-	-	ABB-S0	-		
4-2	26.0	2.0	-	X	-	-	Pg21	-		
4-1	26.0	2.0	X	-	-	-	Pg21	-		
3-6	24.0	3.0	X	-	-	-	MDC	-		
3-5	64.0	3.0	X	-	-	-	AH-1P	-		
3-4	80.0	3.0	-	-	X	-	HP/EMV 16	OBSOLETE		
3-3	80.0	3.0	X	-	-	-	AK-1P	-		
3-2	20.0	1.5	-	X	-	-	Pg16	COLOR GREY		
3-1	20.0	1.5	X	-	-	-	Pg16	-		
2-6	250.0	3.0	X	-	-	-	MDC	-		
2-5	38.0	3.0	X	-	-	-	AH 1P	OBSOLETE		
2-4	67.0	2.8	-	-	X	-	HP/EMV10	-		
2-3	67.0	2.8	X	-	-	-	HP/EMV10	-		
2-2	18.0	1.5	-	X	-	-	Pg13.5	OBSOLETE		
2-1	18.0	1.5	X	-	-	-	Pg13.5	-		
1-9	20.0	1.25	-	X	-	-	HC 26	BLACK		G9
1-8	20.0	1.0	-	X	-	-	HC 26	BLACK		
1-7	4.0	1.0	-	X	-	-	ARR1	-		OBSOLETE
1-6	330	5.0	X	-	-	-	MDC	-		
1-5	19.0	1.8	X	-	-	-	Pg-Stv	OBSOLETE		
1-4	59.0	3.0	-	-	X	-	HP/EMV6	OBSOLETE		
1-3	59.0	3.0	X	-	-	-	HP/EMV6	-		
1-2	16.0	1.5	-	X	-	-	Pg11	OBSOLETE		
1-1	16.0	1.5	X	-	-	-	Pg11	-		
1-0	23.0	1.0	-	X	-	-	HC 26	COLOR BLUE		
0-9	23.52	1.78	-	X	-	-	HC 25	-		
0-8	26	1.5	-	X	-	-	HC 26	COLOR BLUE		
0-7	40	2.5	X	-	-	-	HW G	-		
0-6	25.0	1.5	X	-	-	-	ALM	COLOR BLACK		
0-5	17.5	1.5	-	X	-	-	HC 20	COLOR BLUE		
0-4	17	1.0	-	X	-	-	HC 20	COLOR BLUE		
0-3	21.2	2.65	-	X	-	-	HF-1-EMV-K	-		
0-2	3.0	1.0	X	-	-	-	HA-EMV-K	-		
0-1	13.0	1.5	X	-	-	-	Pg 09	-		

NOTES

- 1 PARTS SHALL BE FREE AND CLEAN OF SHARP EDGES AND ALL OTHER FOREIGN MATERIAL NO LOOSE BURRS PERMITTED.
- 2 NBR, 70°±5° SHORE A, BLACK, ACC .TO DIN 3770
- 3 FKM, 70°±5° SHORE A, TEMPERATURE RANGE -30 °C / +200 °C
- 4 EPDM, 65°±5° SHORE A, BLACK, ELECTRICAL CONDUCTIVE, RESISTIVITY: 8.05 x 10³ OHMS PER CM
- 5 PACKAGING PN 0-1, 1000 PIECES MAX. IN A BOX



A-A



SCALE 2:1

THIS DRAWING IS A CONTROLLED DOCUMENT.		DWN R.ösgen 26.05.1999	TE Connectivity			
		CHK Schweiger 26.05.1999				
DIMENSIONS: mm 		TOLERANCES UNLESS OTHERWISE SPECIFIED: 0 PLC ± 1 PLC ± 2 PLC ± 3 PLC ± 4 PLC ± ANGLES ±		APVD - PRODUCT SPEC - APPLICATION SPEC - WEIGHT -	NAME 0-Ring SIZE A2 CAGE CODE 00779 DRAWING NO C-1106053 RESTRICTED TO -	
MATERIAL -		CUSTOMER DRAWING		SCALE 1:1	SHEET 1 OF 1	REV G10