

HIGH SPEED LAN MAGNETICS

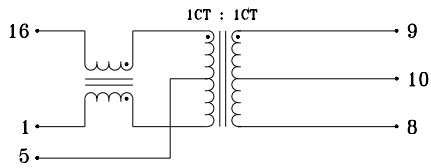
- For use in 100Base-TX, 10/100Base-TX, ATM 155 or 100 Mbps TP-FDDI applications
- Compatible with multiple PHY transceivers
- 350 μ H min OCL (inductance) with 8mA DC bias
- Low profile, surface mount packaging available
- Low cost, transmit or receive channel solution
- 2000 Vrms isolation

ELECTRICALS AT 25°C

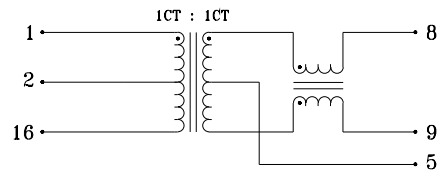
Part No.	Insertion Loss (dB) Typ		Return Loss (dB) Min		Schematic
	1MHz-100MHz	1MHz-30MHz	30MHz-60MHz	60MHz-80MHz	
S558-0139-00	-1.0	-16	16-20log((f/30MHz)	-10	A
S558-3855-00	-1.0	-16	16-20log((f/30MHz)	-10	B
S558-5999-02	-1.0	-16	16-20log((f/30MHz)	-10	A
S558-5999-19	-1.0	-16	16-20log((f/30MHz)	-10	B

SCHEMATICS

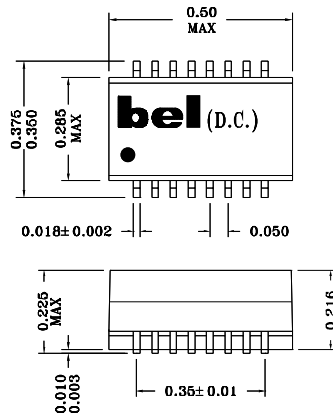
A



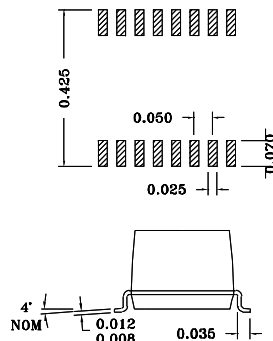
B



MECHANICAL



SUGGESTED PCB PAD LAYOUT



Specifications subject to change without notice.

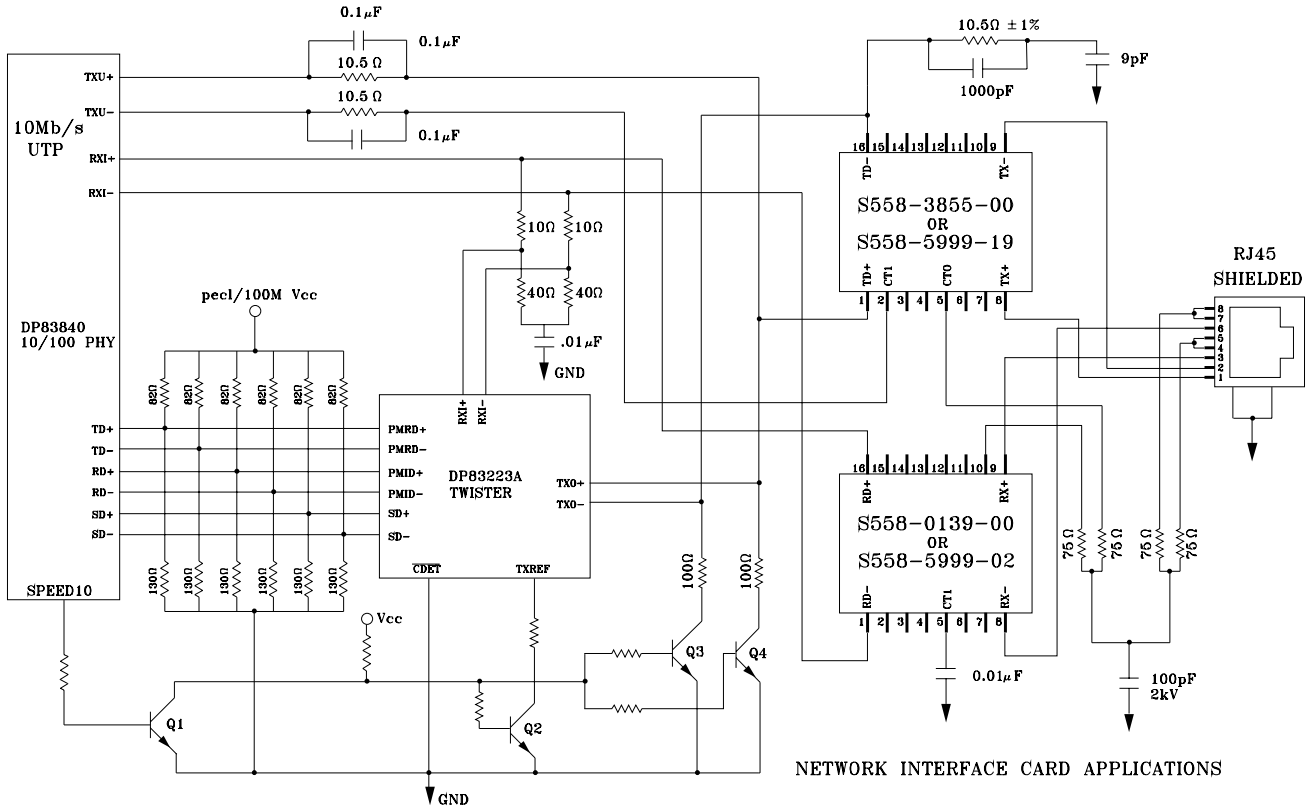


defining a degree of excellence

HIGH SPEED LAN MAGNETICS

960025A

APPLICATION CIRCUIT



APPLICATION NOTES

- These Bel part types have been designed for use in 100 Mbps TP-FDDI, 100Base-TX, 10/100Base-TX and ATM 155 Mbps applications over Category 5 UTP or STP cable.
- Each Bel part type is designed with high voltage isolation transformers and common mode chokes and can be used on both the transmit and receive channels. The designs have been created to provide 350μH OCL with 8mA DC bias applied. Consult the Bel short form catalog and applicable application circuit for the specific configuration of each individual part type.
- Bel's low profile, surface mount packaging is ideal for high speed pick and place machinery. Parts can be shipped on tape and reel for high speed placement. Construction processes have been implemented for thermal compatibility with high temperature IR reflow assembly processing. Post dipping of leads assist with PC board solderability. Each part is optically inspected to meet rigid coplanarity requirements.

Corporate Office

Bel Fuse Inc.
 198 Van Vorst Street, Jersey City, NJ 07302-4496
 Tel: 201-432-0463
 Fax: 201-432-9542
 E-Mail: BelFuse@belfuse.com
 Internet: http://www.belfuse.com

Far East Office

Bel Fuse Ltd.
 8F/8 Luk Hop Street
 San Po Kong
 Kowloon, Hong Kong
 Tel: 852-2328-5515
 Fax: 852-2352-3706

European Office

Bel Fuse Europe Ltd.
 Preston Technology Management Centre
 Marsh Lane, Preston PR1 8UD
 Lancashire, U.K.
 Tel: 44-1772-556601
 Fax: 44-1772-888366