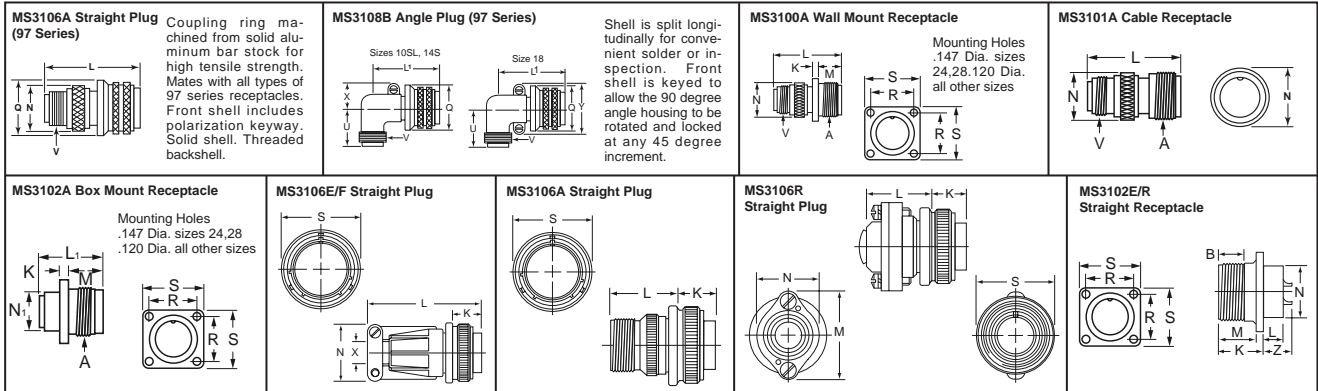


Amphenol® Circular 97 Series Threaded Connectors with Solder Contacts (MIL-C-5015 Type)

Underwriters Laboratories approved recognition
File E115497. Canadian Standard Association
Certification File LR69183

Low cost, general duty, non-environmental MIL-C-5015 type connectors. Available in either A solid or B split shell styles. Used extensively in the machine tool industry, welding industry and numerous other commercial applications. • Single key/keyway polarization • Threaded coupling • Hard dielectric inserts made of diallyl-phthalate • Aluminum alloy components with a conductive cadmium plate finish and olive chromate after-treatment • Contacts are solder type, silver plated with pre-tinned solder cups • Cable clamps are zinc alloy with olive drab/green chromate finish

A



Insert Patterns
(Front face of pin insert shown. Drawings not to scale.)



SERVICE RATING:

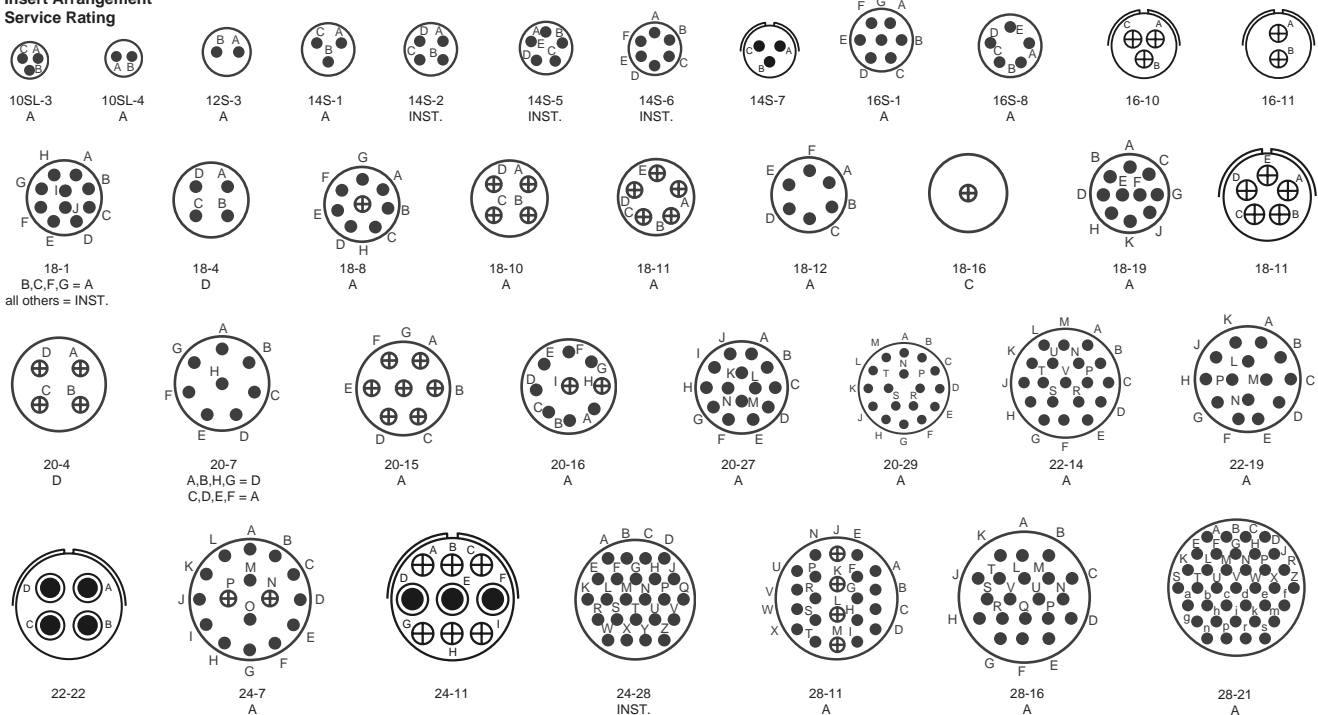
	DC	INST	A	D	E	B	C
Limited Operating Voltages at Sea Level	250	700	1250	1750	2450	4200	
AC(rms)	200	500	900	1250	1750	3000	

TEST CURRENT: Contact Size 16 = 13 amperes, Contact Size 12 = 23 amperes
NOTE: Transients were not considered in calculating these values.
NOTE: Limiting operating voltage at 50,000 feet altitude are approx. 25% of the sea level values.

Panel Opening



Insert Arrangement Service Rating



97 Series Plugs

Shell Size/ Insert Arrangement No.	No. of Contacts/Size	Description	Digi-Key Part No.	Price Each			Dimensions in Inches							Amphenol Part No.	
				1	10	50	L Max.	L1 Max.	N Ref.	Q Max.	U Ref.	V Fitting Thread	X Ref.		Y Ref.
<i>Straight Plugs with Solid Shells</i>															
10SL-3	3/16	Straight Plug w/Socket	97-3106A-10SL-3S-ND	12.00	8.40	6.24	1-3/8	—	3/4	7/8	—	5/8-24	—	—	97-3106A-10SL-3S
10SL-4	2/16	Straight Plug w/Socket	97-3106A-10SL-4S-ND	11.35	7.95	5.91		—	—	—	—	—	—	—	97-3106A-10SL-4S
12S-3	2/16	Straight Plug w/Pins	97-3106A-12S-3P-ND	10.40	7.28	5.41	1-7/16	—	25/32	1	—	5/8-24	—	—	97-3106A-12S-3P
		Straight Plug w/Socket	97-3106A-12S-3S-ND	11.13	7.79	5.79									
14S-1	3/16	Straight Plug w/Pins	97-3106A-14S-1P-ND	10.43	7.30	5.43	1-15/32	—	7/8	1-1/8	—	3/4-20	—	—	97-3106A-14S-1P
		Straight Plug w/Socket	97-3106A-14S-1S-ND	12.30	8.61	6.40									97-3106A-14S-1S
14S-2	4/16	Straight Plug w/Pins	97-3106A-14S-2P-ND	10.38	7.27	5.40	1-15/32	—	7/8	1-1/8	—	3/4-20	—	—	97-3106A-14S-2P
		Straight Plug w/Socket	97-3106A-14S-2S-ND	12.88	9.02	6.70									97-3106A-14S-2S

(Continued)

More Product Available Online: www.digikey.com

Amphenol® Circular 97 Series Threaded Connectors with Solder Contacts (MIL-C-5015 Type) (Cont.)

Shell Size/ Insert Arrange- ment No.	No. of Contacts/ Size	Description	Digi-Key Part No.	Price Each			Dimensions in Inches							Amphenol Part No.	
				1	10	50	L Max.	L1 Max.	N Ref.	Q Max.	U Ref.	V Fitting Thread	X Ref.		Y Ref.
14S-5	5/16	Straight Plug w/Pins	97-3106A-14S-5P-ND	11.60	8.12	6.04	1-15/32	—	7/8	1-1/8	—	3/4-20	—	—	97-3106A-14S-5P
		Straight Plug w/Socket	97-3106A-14S-5S-ND	13.83	9.68	7.19									97-3106A-14S-5S
14S-6	6/16	Straight Plug w/Pins	97-3106A-14S-6P-ND	12.03	8.42	6.26	1-15/32	—	1	1-1/4	—	7/8-20	—	—	97-3106A-14S-6P
		Straight Plug w/Socket	97-3106A-14S-6S-ND	13.95	9.77	7.26									97-3106A-14S-6S
16S-1	7/16	Straight Plug w/Pins	97-3106A-16S-1P-ND	12.03	8.42	6.26	1-15/32	—	1	1-1/4	—	7/8-20	—	—	97-3106A-16S-1P
		Straight Plug w/Socket	97-3106A-16S-1S-ND	15.40	10.78	8.01									97-3106A-16S-1S
16S-8	5/16	Straight Plug w/Pins	97-3106A-16S-8P-ND	13.43	9.40	6.99	1-15/32	—	1	1-1/4	—	7/8-20	—	—	97-3106A-16S-8P
		Straight Plug w/Socket	97-3106A-16S-8S-ND	13.93	9.75	7.25									97-3106A-16S-8S
18-1	10/16	Straight Plug w/Pins	97-3106A-18-1P-ND	15.78	11.05	8.21	1-31/32	—	1-1/8	1-11/32	—	1-20	—	—	97-3106A-18-1P
		Straight Plug w/Socket	97-3106A-18-1S-ND	17.45	12.22	9.08									97-3106A-18-1S
18-4	4/16	Straight Plug w/Pins	97-3106A-18-4P-ND	14.60	10.22	7.60	1-31/32	—	1-1/8	1-11/32	—	1-20	—	—	97-3106A-18-4P
		Straight Plug w/Socket	97-3106A-18-4S-ND	15.75	11.03	8.19									97-3106A-18-4S
18-8	4/1#12, 4/7#16	Straight Plug w/Pins	97-3106A-18-8P-ND	17.24	11.26	9.44	1-31/32	—	1-1/8	1-11/32	—	1-20	—	—	97-3106A-18-8P
		Straight Plug w/Socket	97-3106A-18-8S-ND	18.62	12.16	10.20									97-3106A-18-8S
18-10	4/12	Straight Plug w/Pins	97-3106A-18-10P-ND	17.48	12.24	9.09	1-31/32	—	1-1/8	1-11/32	—	1-20	—	—	97-3106A-18-10P
		Straight Plug w/Socket	97-3106A-18-10S-ND	18.62	12.16	10.20									97-3106A-18-10S
18-11	5/12	Straight Plug w/Pins	97-3106A-18-11P-ND	17.48	12.24	9.09	1-31/32	—	1-1/8	1-11/32	—	1-20	—	—	97-3106A-18-11P
		Straight Plug w/Socket	97-3106A-18-11S-ND	17.24	11.26	9.44									97-3106A-18-11S
18-12	6/16	Straight Plug w/Pins	97-3106A-18-12P-ND	14.33	10.03	7.45	1-31/32	—	1-1/8	1-11/32	—	1-20	—	—	97-3106A-18-12P
		Straight Plug w/Socket	97-3106A-18-12S-ND	17.48	12.24	9.09									97-3106A-18-12S
18-16	1/12	Straight Plug w/Pins	97-3106A-18-16P-ND	17.48	12.24	9.09	1-31/32	—	1-1/8	1-11/32	—	1-20	—	—	97-3106A-18-16P
		Straight Plug w/Socket	97-3106A-18-16S-ND	19.64	12.82	10.76									97-3106A-18-16S
18-19	10/16	Straight Plug w/Pins	97-3106A-18-19P-ND	22.52	14.42	12.77	1-31/32	—	1-1/8	1-11/32	—	1-20	—	—	97-3106A-18-19P
		Straight Plug w/Socket	97-3106A-18-19S-ND	19.21	12.54	10.52									97-3106A-18-19S
20-4	4/12	Straight Plug w/Pins	97-3106A-20-4P-ND	20.16	13.16	11.04	1-7/8	—	1-1/4	1-15/32	—	1-3/16-18	—	—	97-3106A-20-4P
		Straight Plug w/Socket	97-3106A-20-4S-ND	26.35	16.87	14.94									97-3106A-20-4S
20-7	8/16	Straight Plug w/Pins	97-3106A-20-7P-ND	20.16	13.16	11.04	1-7/8	—	1-1/4	1-15/32	—	1-3/16-18	—	—	97-3106A-20-7P
		Straight Plug w/Socket	97-3106A-20-7S-ND	21.66	14.14	11.86									97-3106A-20-7S
20-15	7/12	Straight Plug w/Pins	97-3106A-20-15P-ND	22.09	14.42	12.09	1-7/8	—	1-1/4	1-15/32	—	1-3/16-18	—	—	97-3106A-20-15P
		Straight Plug w/Socket	97-3106A-20-15S-ND	27.70	17.73	15.70									97-3106A-20-15S
20-16	9/2#12, 9/7#16	Straight Plug w/Pins	97-3106A-20-16P-ND	22.11	14.44	12.11	1-7/8	—	1-1/4	1-15/32	—	1-3/16-18	—	—	97-3106A-20-16P
		Straight Plug w/Socket	97-3106A-20-16S-ND	22.50	14.40	12.75									97-3106A-20-16S
20-27	14/16	Straight Plug w/Pins	97-3106A-20-27P-ND	19.78	12.92	10.83	1-7/8	—	1-1/4	1-15/32	—	1-3/16-18	—	—	97-3106A-20-27P
		Straight Plug w/Socket	97-3106A-20-27S-ND	23.18	14.84	13.14									97-3106A-20-27S
20-29	17/16	Straight Plug w/Pins	97-3106A-20-29P-ND	21.07	13.75	11.54	1-7/8	—	1-1/4	1-15/32	—	1-3/16-18	—	—	97-3106A-20-29P
		Straight Plug w/Socket	97-3106A-20-29S-ND	25.45	16.29	14.43									97-3106A-20-29S
22-14	19/16	Straight Plug w/Pins	97-3106A-22-14P-ND	24.05	15.40	13.63	1-31/32	—	1-3/8	1-19/32	—	1-3/16-18	—	—	97-3106A-22-14P
		Straight Plug w/Socket	97-3106A-22-14S-ND	27.32	17.49	15.48									97-3106A-22-14S
22-19	14/16	Straight Plug w/Pins	97-3106A-22-19P-ND	23.58	15.10	13.37	1-31/32	—	1-3/8	1-19/32	—	1-3/16-18	—	—	97-3106A-22-19P
		Straight Plug w/Socket	97-3106A-22-19S-ND	24.05	15.40	13.63									97-3106A-22-19S
24-7	16/2 #12, 16/14 #16	Straight Plug w/Pins	97-3106A-24-7P-ND	28.46	18.22	16.13	2-1/4	—	1-1/2	1-23/32	—	1-7/16-18	—	—	97-3106A-24-7P
		Straight Plug w/Socket	97-3106A-24-7S-ND	30.83	19.73	17.47									97-3106A-24-7S
24-28	24/16	Straight Plug w/Pins	97-3106A-24-28P-ND	29.77	19.06	16.87	2-1/4	—	1-1/2	1-23/32	—	1-7/16-18	—	—	97-3106A-24-28P
		Straight Plug w/Socket	97-3106A-24-28S-ND	33.71	21.58	19.10									97-3106A-24-28S
28-11	22/4#12, 22/18#16	Straight Plug w/Pins	97-3106A-28-11P-ND	32.27	20.65	18.29	2-1/4	—	1-3/4	1-31/32	—	1-7/16-18	—	—	97-3106A-28-11P
		Straight Plug w/Socket	97-3106A-28-11S-ND	34.66	24.27	21.67									97-3106A-28-11S
28-16	20/16	Straight Plug w/Pins	97-3106A-28-16P-ND	33.23	21.27	18.84	2-1/4	—	1-3/4	1-31/32	—	1-7/16-18	—	—	97-3106A-28-16P
		Straight Plug w/Socket	97-3106A-28-16S-ND	33.66	21.55	19.08									97-3106A-28-16S
28-21	37/16	Straight Plug w/Pins	97-3106A-28-21P-ND	34.54	24.18	21.59	2-1/4	—	1-3/4	1-31/32	—	1-7/16-18	—	—	97-3106A-28-21P
		Straight Plug w/Socket	97-3106A-28-21S-ND	38.94	27.26	24.34									97-3106A-28-21S
<i>Angle Plugs with Split Shell</i>															
10SL-3	3/16	Angle Plug w/Socket	97-3108B-10SL-3S-ND	16.03	11.22	8.34	—	1-1/2	—	7/8	1	5/8-24	—	—	97-3108B-10SL-3S
10SL-4	2/16	Angle Plug w/Socket	97-3108B-10SL-4S-ND	15.30	10.71	7.96	—	1-1/2	—	7/8	1	5/8-24	—	—	97-3108B-10SL-4S
14S-1	3/16	Angle Plug w/Pins	97-3108B-14S-1P-ND	13.93	9.75	7.25	—	1-23/32	—	1-1/8	1-1/16	3/4-20	21/32	—	97-3108B-14S-1P
		Angle Plug w/Socket	97-3108B-14S-1S-ND	14.28	10.00	7.43									97-3108B-14S-1S
14S-2	4/16	Angle Plug w/Pins	97-3108B-14S-2P-ND	13.80	9.66	7.18	—	1-23/32	—	1-1/8	1-1/16	3/4-20	21/32	—	97-3108B-14S-2P
		Angle Plug w/Socket	97-3108B-14S-2S-ND	14.90	10.43	7.75									97-3108B-14S-2S
14S-5	5/16	Angle Plug w/Pins	97-3108B-14S-5P-ND	15.13	10.59	7.87	—	1-23/32	—	1-1/8	1-1/16	3/4-20	21/32	—	97-3108B-14S-5P
		Angle Plug w/Socket	97-3108B-14S-5S-ND	15.55	10.89	8.09									97-3108B-14S-5S
14S-6	6/16	Angle Plug w/Pins	97-3108B-14S-6P-ND	15.55	10.89	8.09	—	1-23/32	—	1-1/8	1-1/16	3/4-20	21/32	—	97-3108B-14S-6P
		Angle Plug w/Socket	97-3108B-14S-6S-ND	15.98	11.19	8.31									97-3108B-14S-6S
18-1	10/16	Angle Plug w/Pins	97-3108B-18-1P-ND	22.02	14.37	12.06	—	2-5/32	—	1-11/32	1-3/16	1-20	1-41/64	1-41/64	97-3108B-18-1P
		Angle Plug w/Socket	97-3108B-18-1S-ND	24.08	15.41	13.65									97-3108B-18-1S
18-4	4/16	Angle Plug w/Pins	97-3108B-18-4P-ND	18.50	12.08	10.13	—	2-5/32	—	1-11/32	1-3/16	1-20	1-41/64	1-41/64	97-3108B-18-4P
		Angle Plug w/Socket	97-3108B-18-4S-ND	19.74	12.89	10.81									97-3108B-18-4S

(Continued)

More Product Available Online: www.digikey.com

Toll-Free: 1-800-344-4539 • Phone: 218-681-6674 • Fax: 218-681-3380

(T032) 195

A

Amphenol® Circular 97 Series Threaded Connectors with Solder Contacts (MIL-C-5015 Type) (Cont.)

Shell Size/ Insert Arrangement No.	No. of Contacts/ Size	Description	Digi-Key Part No.	Price Each			Dimensions in Inches							Amphenol Part No.	
				1	10	50	L Max.	L1 Max.	N Ref.	Q Max.	U Ref.	V Fitting Thread	X Ref.		Y Ref.
18-8	4/1#12, 4/7#16	Angle Plug w/Pins	97-3108B-18-8P-ND	22.02	14.37	12.06	—	2-5/32	—	1-11/32	1-3/16	1-20	1-41/64	1-41/64	97-3108B-18-8P
		Angle Plug w/Socket	97-3108B-18-8S-ND	23.39	15.27	12.81									97-3108B-18-8S
18-10	4/12	Angle Plug w/Pins	97-3108B-18-10P-ND	21.38	13.95	11.70	—	2-5/32	—	1-11/32	1-3/16	1-20	1-41/64	1-41/64	97-3108B-18-10P
		Angle Plug w/Socket	97-3108B-18-10S-ND	23.39	15.27	12.81									97-3108B-18-10S
18-11	5/12	Angle Plug w/Pins	97-3108B-18-11P-ND	21.38	13.95	11.70	—	2-5/32	—	1-11/32	1-3/16	1-20	1-41/64	1-41/64	97-3108B-18-11P
		Angle Plug w/Socket	97-3108B-18-11S-ND	22.02	14.37	12.06									97-3108B-18-11S
18-12	6/16	Angle Plug w/Pins	97-3108B-18-12P-ND	20.26	13.23	11.09	—	2-5/32	—	1-11/32	1-3/16	1-20	1-41/64	1-41/64	97-3108B-18-12P
		Angle Plug w/Socket	97-3108B-18-12S-ND	21.38	13.95	11.70									97-3108B-18-12S
18-16	1/12	Angle Plug w/Pins	97-3108B-18-16P-ND	22.04	14.39	12.07	—	2-5/32	—	1-11/32	1-3/16	1-20	1-41/64	1-41/64	97-3108B-18-16P
		Angle Plug w/Socket	97-3108B-18-16S-ND	24.10	15.43	13.66									97-3108B-18-16S
18-19	10/16	Angle Plug w/Pins	97-3108B-18-19P-ND	27.14	17.37	15.38	—	2-5/32	—	1-11/32	1-3/16	1-20	1-41/64	1-41/64	97-3108B-18-19P
		Angle Plug w/Socket	97-3108B-18-19S-ND	22.70	14.53	12.87									97-3108B-18-19S

Amphenol® MS/Standard Cylindrical with Solder Contacts (MIL-C-5015 Series 1 Type)

Shell Size/ Insert Arrangement No.	No. of Contacts/ Size	Description	Digi-Key Part No.	Price Each			Dimensions in Inches											Amphenol Part No.
				1	10	50	B Min Full Thread	K	L	M	N Dia.	R	S	X Min Cable Dim.	Z			
10SL-3	3/16	Plug w/Socket	MS3106E-10SL-3S-ND*	14.70	10.29	7.65	—	.531	2.129	—	.896	—	.946	.281	—	MS3106E-10SL-30S		
		Plug w/Socket	MS3106F-10SL-3S-ND†	16.70	11.69	8.69	—	.531	2.129	—	.896	—	.946	.281	—	MS3106F-10SL-3S		
		Plug w/Socket	MS3106R-10SL-3S-ND‡	15.25	10.68	7.93	—	.531	1.057	1.120	.807	—	.946	—	—	MS3106R-10SL-3S		
		Recept. w/Pins	MS3102E-10SL-3P-ND*	7.24	4.11	3.03	.391	.672	.297	.562	.625	.719	1.000	—	.422	MS3102E-10SL-3P		
		Recept. w/Pins	MS3102R-10SL-3P-ND‡	6.47	3.67	2.71	.391	.672	.297	.562	.625	.719	1.000	—	.422	MS3102R-10SL-3P		
10SL-4	2/16	Plug w/Socket	MS3106A-10SL-4S-ND	15.08	10.56	7.84	—	.531	.937	—	—	—	.946	—	—	MS3106A-10SL-4S		
		Plug w/Socket	MS3106E-10SL-4S-ND*	16.78	11.75	8.73	—	.531	2.129	—	.896	—	.946	.281	—	MS3106E-10SL-4S		
		Plug w/Socket	MS3106F-10SL-4S-ND†	14.88	10.42	7.74	—	.531	2.129	—	.896	—	.946	.281	—	MS3106F-10SL-4S		
		Recept. w/Pins	MS3102E-10SL-4P-ND*	6.60	3.75	2.76	.391	.672	.297	.562	.625	.719	1.000	—	.422	MS3102E-10SL-4P		
		Recept. w/Pins	MS3102R-10SL-4P-ND‡	5.86	3.33	2.45	.391	.672	.297	.562	.625	.719	1.000	—	.422	MS3102R-10SL-4P		
14S-2	4/16	Plug w/Pins	MS3106F-14S-2P-ND†	12.80	8.96	6.66	—	.531	2.201	—	1.021	—	1.123	.406	—	MS3106F-14S-2P		
		Plug w/Socket	MS3106A-14S-2S-ND	11.70	8.19	6.09	—	.531	.937	—	—	—	1.123	—	—	MS3106A-14S-2S		
		Plug w/Socket	MS3106F-14S-2S-ND†	16.91	11.04	9.26	—	.531	2.201	—	1.021	—	1.123	.406	—	MS3106F-14S-2S		
		Recept. w/Pins	MS3102E-14S-2P-ND*	8.82	5.30	4.12	.450	.672	.297	.562	.750	.906	1.188	—	.422	MS3102E-14S-2P		
		Recept. w/Socket	MS3102E-14S-2S-ND*	8.74	4.96	3.66	.450	.672	.297	.562	.750	.906	1.188	—	.422	MS3102E-14S-2S		
		Recept. w/Pins	MS3102R-14S-2P-ND‡	5.93	3.37	2.48	.450	.672	.297	.562	.750	.906	1.188	—	.422	MS3102R-14S-2P		
14S-5	5/16	Plug w/Pins	MS3106A-14S-5P-ND	11.58	8.11	6.02	—	.531	.937	—	—	—	1.123	—	—	MS3106A-14S-5P		
		Plug w/Socket	MS3106A-14S-5S-ND	13.00	9.10	6.76	—	.531	.937	—	—	—	1.123	—	—	MS3106A-14S-5S		
		Recept. w/Pins	MS3102E-14S-5P-ND*	7.67	4.36	3.21	.450	.672	.297	.562	.750	.906	1.188	—	.422	MS3102E-14S-5P		
		Recept. w/Pins	MS3102R-14S-5P-ND‡	9.08	5.15	3.80	.450	.672	.297	.562	.750	.906	1.188	—	.422	MS3102R-14S-5P		
		14S-6	6/16	Plug w/Socket	MS3106A-14S-6S-ND	13.00	9.10	6.76	—	.531	.937	—	—	—	1.123	—	—	MS3106A-14S-6S
Plug w/Socket	MS3106F-14S-6S-ND†			16.80	11.76	8.74	—	.531	2.201	—	1.021	—	1.123	.406	—	MS3106F-14S-6S		
Recept. w/Pins	MS3102E-14S-6P-ND*			7.84	4.45	3.28	.450	.672	.297	.562	.750	.906	1.188	—	.422	MS3102E-14S-6P		
Recept. w/Socket	MS3102E-14S-6S-ND*			9.84	5.91	4.60	.450	.672	.297	.562	.750	.906	1.188	—	.422	MS3102E-14S-6S		
Recept. w/Pins	MS3102R-14S-6P-ND‡			5.49	3.12	2.30	.450	.672	.297	.562	.750	.906	1.188	—	.422	MS3102R-14S-6P		
Recept. w/Socket	MS3102R-14S-6S-ND‡			9.01	5.12	3.77	.450	.672	.297	.562	.750	.906	1.188	—	.422	MS3102R-14S-6S		
14S-7	3/16	Plug w/Socket	MS3106F-14S-7S-ND†	17.05	11.13	9.34	—	.531	2.201	—	1.021	—	1.123	.406	—	MS3106F-14S-7S		
16S-1	7/16	Plug w/Socket	MS3106A-16S-1S-ND	15.48	10.84	8.05	—	.531	.937	—	—	—	1.250	—	—	MS3106A-16S-1S		
		Plug w/Socket	MS3106F-16S-1S-ND†	23.18	15.13	12.69	—	.531	2.201	—	1.151	—	1.250	.500	—	MS3106F-16S-1S		
		Recept. w/Pins	MS3102E-16S-1P-ND*	8.49	5.10	3.97	.450	.672	.297	.562	.875	.969	1.281	—	.422	MS3102E-16S-1P		
		Recept. w/Pins	MS3102R-16S-1P-ND‡	6.80	3.86	2.85	.450	.672	.297	.562	.875	.969	1.281	—	.422	MS3102R-16S-1P		
16-10	3/12	Plug w/Socket	MS3106A-16-10S-ND	16.53	11.57	8.60	—	.719	1.124	—	—	—	1.250	—	—	MS3106A-16-10S		
		Plug w/Socket	MS3106F-16-10S-ND†	23.00	14.72	13.04	—	.719	2.524	—	1.151	—	1.250	.500	—	MS3106F-16-10S		
16-11	2/12	Recept. w/Pins	MS3102R-16-11P-ND‡	6.83	3.88	2.86	.625	.860	.484	.750	.875	.969	1.281	—	.672	MS3102R-16-11P		
18-1	10/16	Recept. w/Pins	MS3102E-18-1P-ND*	10.20	6.12	4.76	.625	.891	.453	.750	1.000	1.062	1.375	—	.641§	MS3102E-18-1P		
		Recept. w/Pins	MS3102R-18-1P-ND‡	10.14	6.09	4.74	.625	.891	.453	.750	1.000	1.062	1.375	—	.641§	MS3102R-18-1P		
		Plug w/Socket	MS3106A-18-1S-ND	18.12	11.83	9.92	—	.719	1.219	—	—	—	1.333	—	—	MS3106A-18-1S		
18-11	5/12	Recept. w/Pins	MS3102E-18-11P-ND*	8.68	4.93	3.63	.625	.891	.453	.750	1.000	1.062	1.375	—	.641§	MS3102E-18-11P		
20-27	14/16	Recept. w/Pins	MS3102R-20-27P-ND‡	10.80	6.48	5.04	.625	.891	.453	.750	1.125	1.156	1.500	—	.641§	MS3102R-20-27P		
22-14	19/16	Recept. w/Pins	MS3102E-22-14P-ND*	11.43	6.86	5.34	.625	.891	.453	.750	1.250	1.250	1.625	—	.641§	MS3102E-22-14P		
22-19	14/16	Recept. w/Socket	MS3102E-22-19S-ND*	12.00	8.40	6.24	.625	.891	.453	.750	1.250	1.250	1.625	—	.641§	MS3102E-22-19S		
22-22	4/8	Recept. w/Pins	MS3102E-22-22P-ND*	14.90	10.43	7.75	.625	.891	.453	.750	1.250	1.250	1.625	—	.641§	MS3102E-22-22P		
24-11	3/#8 6/#12 3/#8 6/#12	Recept. w/Pins	MS3102R-24-11P-ND‡	11.65	8.16	6.06	.625	.953	.453	.812	1.375	1.375	1.750	—	.578§	MS3102R-24-11P		
		Plug w/Socket	MS3106R-24-11S-ND‡	23.83	15.25	13.51	—	.719	1.291	1.994	1.557	—	1.715	—	—	MS3106R-24-11S		

* Environmental resisting
† Environmental resisting with strain relief (MS part number only)
‡ Lightweight environmental resisting
§ Increase Z dimension by .312 for size "0" contact only.

More Product Available Online: www.digikey.com

