

9956 L

# AC axial compact fan



## ebm-papst St. Georgen GmbH & Co. KG

Hermann-Papst-Straße 1

D-78112 St. Georgen

Phone +49 7724 81-0

Fax +49 7724 81-1309

info2@de.ebmpapst.com

www.ebmpapst.com

## Nominal data

| Type                     | 9956 L            |      |
|--------------------------|-------------------|------|
| Phase                    |                   | 1~   |
| Nominal voltage          | VAC               | 230  |
| Frequency                | Hz                | 50   |
| Speed                    | min <sup>-1</sup> | 1850 |
| Power input              | W                 | 9.5  |
| Min. ambient temperature | °C                | -40  |
| Max. ambient temperature | °C                | 80   |
| Air flow                 | m <sup>3</sup> /h | 84   |
| Sound power level        | B                 | 4.4  |
| Sound pressure level     | dB(A)             | 29   |

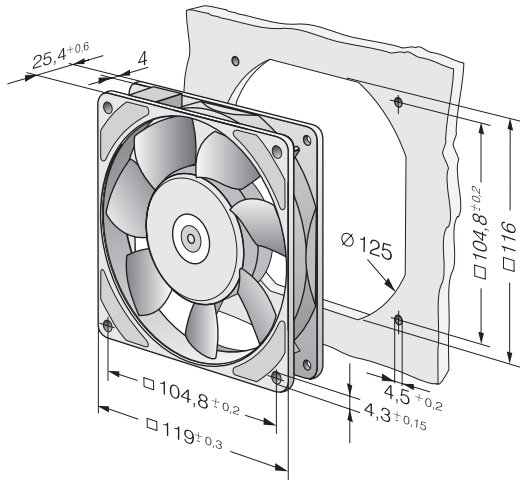
ml = max. load · me = max. efficiency · fa = running at free air · cs = customer specs · cu = customer unit  
Subject to alterations



## Technical features

|  |   |
|--|---|
| <b>General description</b>                 | <p>AC voltage fan with internal rotor shaded-pole motor. Protected from overload by impedance protection.</p> <p>Fan housing made of metal, impeller made of mineral-reinforced PA plastic.</p> <p>Air exhaust over bars. Direction of rotation counter-clockwise seen on rotor.</p> <p>Electrical connection to 2 flat plugs 2.8 x 0.5 mm.</p> <p>Fan housing with grounding lug for M4 tapping screw.</p> <p>Mass 320 g.</p> <p>Please note our new ACmaxx series. With identical fastening dimensions and voltages, this series achieves higher energy efficiency.</p> |
| <b>Mass</b>                                | 0.325 kg  |
| <b>Dimensions</b>                          | 119 x 119 x 25 mm   |
| <b>Material of impeller</b>                | Mineral-reinforced PA plastic   |
| <b>Housing material</b>                    | Metal   |
| <b>Direction of air flow</b>               | Air exhaust over bars   |
| <b>Direction of rotation</b>               | Left, looking at rotor  |
| <b>Bearing</b>                             | Ball bearings   |
| <b>Lifetime L10 at 40 °C</b>               | 57500 h   |
| <b>Lifetime L10 at maximum temperature</b> | 22500 h   |
| <b>Connection line</b>                     | 2 flat plugs 2.8 x 0.5 mm   |
| <b>Motor protection</b>                    | Protected from overload using impedance protection  |
| <b>Approval</b>                            | VDE, CSA, UL, CE  |

## Product drawing



**Charts: Air flow**

