

**Cascadable Amplifier**  
**10 to 500 MHz**

**A511/ SMA511**

V2

**Features**

- HIGH POWER OUTPUT: +21 dBm (TYP.)
- HIGH THIRD ORDER IP3: +33 dBm (TYP.)
- HIGH EFFICIENCY: 52 mA (TYP.) @ +15 Vdc
- AVAILABLE IN BOTH TO-8 and SMTO-8 PACKAGES

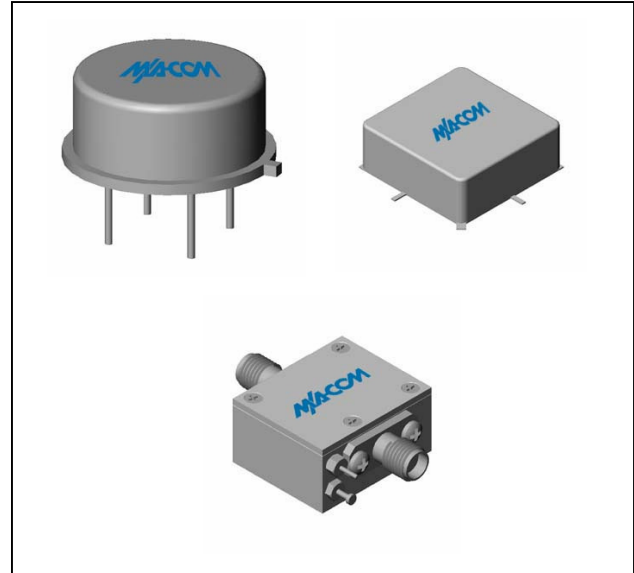
**Description**

The A511 RF amplifier is a discrete hybrid design, which uses thin film manufacturing processes for accurate performance and high reliability.

This single stage bipolar transistor feedback amplifier design displays impressive performance over a broadband frequency range. Use of an impedance transformer offers the benefit of high dynamic range and high efficiency.

Both TO-8 and Surface Mount packages are hermetically sealed, and MIL-STD-883 environmental screening is available

**Product Image**



**Ordering Information**

Part Number	Package
A511	TO-8
SMA511	Surface Mount
CA511	SMA Connectorized

**Electrical Specifications:  $Z_0 = 50\Omega$ ,  $V_{CC} = +15 V_{DC}$**

Parameter	Units	Typical	Guaranteed	
		25°C	0° to 50°C	-54° to +85°C*
Frequency	MHz	5-500	10-500	10-500
Small Signal Gain (min)	dB	17.0	16.0	15.5
Gain Flatness (max)	dB	±0.4	±0.8	±1.0
Reverse Isolation	dB	16		
Noise Figure (max)	dB	3.4	4.2	4.7
Power Output @ 1 dB comp. (min)	dBm	21.0	20.0	19.5
IP3	dBm	+33		
IP2	dBm	+40		
Second Order Harmonic IP	dBm	+46		
VSWR Input / Output (max)		1.7:1 / 1.7:1	1.9:1 / 1.9:1	2.0:1 / 2.0:1
DC Current @ 15 Volts (max)	mA	52	56	58

**Absolute Maximum Ratings**

Parameter	Absolute Maximum
Storage Temperature	-62°C to +150°C
Case Temperature	125°C
DC Voltage	+17 V
Continuous Input Power	+13 dBm
Short Term Input power (1 minute max.)	100 mW
Peak Power (3 µsec max.)	0.5 W
"S" Series Burn-In Temperature (case)	125°C

**Thermal Data:  $V_{CC} = +15 V_{DC}$**

Parameter	Rating
Thermal Resistance $\theta_{jc}$	143°C/W
Transistor Power Dissipation $P_d$	0.47 W
Junction Temperature Rise Above Case $T_{jc}$	68°C

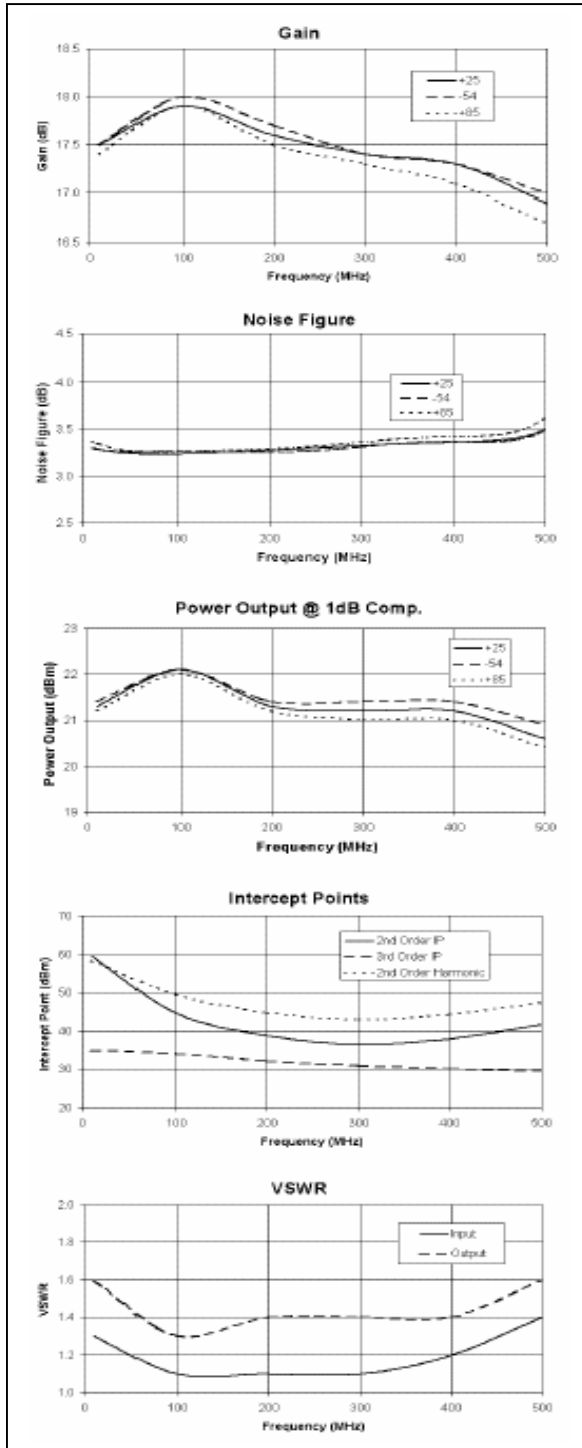
\* Over temperature performance limits for part number CA511, guaranteed from 0°C to +50°C only.

**Cascadable Amplifier  
10 to 500 MHz**

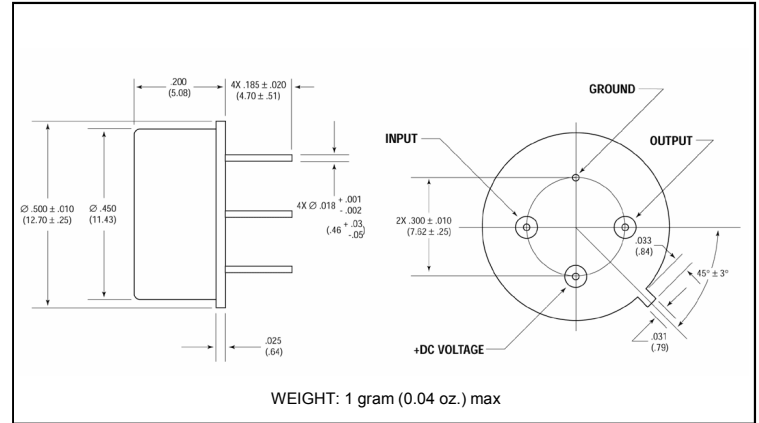
**A511/ SMA511**

V2

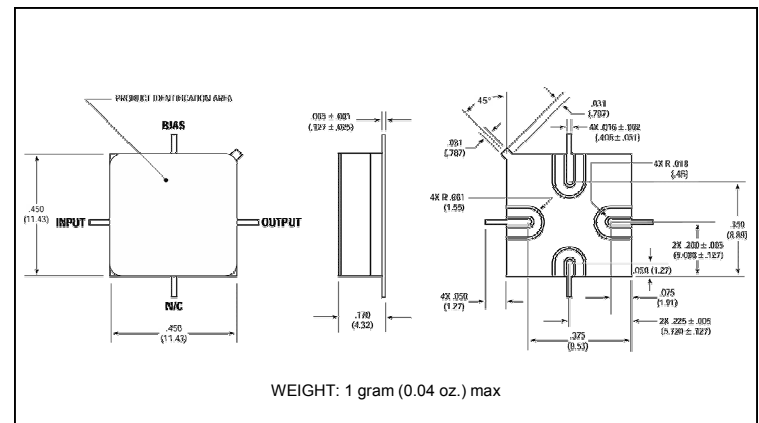
**Typical Performance Curves at +25°C**



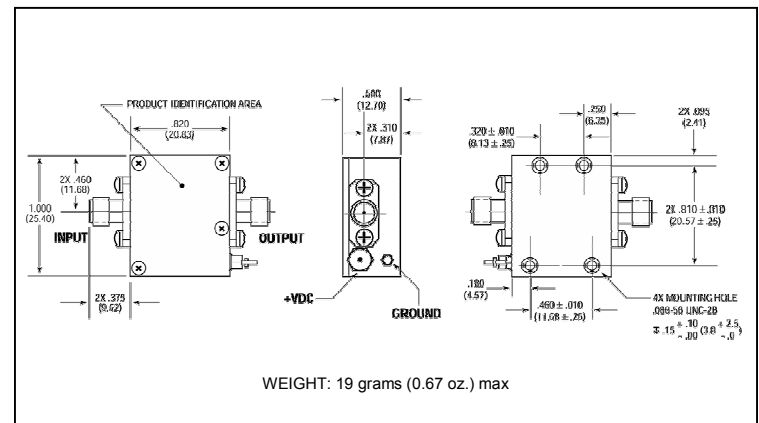
**Outline Drawing: TO-8 \***



**Outline Drawing: Surface Mount \***



**Outline Drawing: SMA Connectorized \***



\* Dimensions are inches (millimeters) ±0.015 (0.38) unless otherwise specified.

M/A-COM Inc. and its affiliates reserve the right to make changes to the product(s) or information contained herein without notice. M/A-COM makes no warranty, representation or guarantee regarding the suitability of its products for any particular purpose, nor does M/A-COM assume any liability whatsoever arising out of the use or application of any product(s) or information.

- **North America** Tel: 800.366.2266 / Fax: 978.366.2266
- **Europe** Tel: 44.1908.574.200 / Fax: 44.1908.574.300
- **Asia/Pacific** Tel: 81.44.844.8296 / Fax: 81.44.844.8298

Visit [www.macom.com](http://www.macom.com) for additional data sheets and product information.