

**Cascadable Amplifier
2000 to 6000 MHz**

A6011/ SMA6011

V3

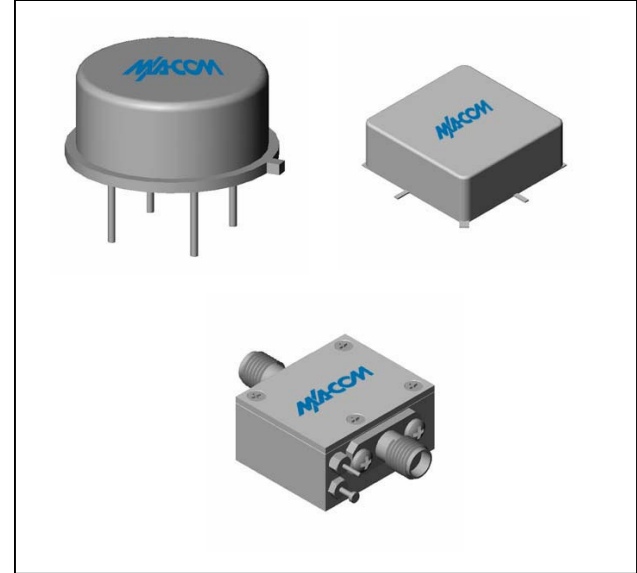
Features

- LOW NOISE FIGURE: 1.5 dB (TYP.)
- MEDIUM OUTPUT POWER: +18 dBm (TYP.)
- HIGH EFFICIENCY: 58 mA (TYP.) @ +5 Vdc
- PHEMT AMPLIFIER

Description

The A6011 RF amplifier is a discrete hybrid design, which uses thin film manufacturing processes for accurate performance and high reliability. This single stage GaAs FET feedback amplifier design displays impressive performance characteristics over a broadband frequency range. An RF choke is used for DC power supply decoupling. Both TO-8 and Surface Mount packages are hermetically sealed, and MIL-STD-883 environmental screening is available.

Product Image



Ordering Information

Part Number	Package
A6011	TO-8
SMA6011	Surface Mount
CA6011 **	SMA Connectorized

** The connectorized version is not RoHS compliant.

Electrical Specifications: $Z_0 = 50\Omega$, $V_{CC} = +5 V_{DC}$

Parameter	Units	Typical	Guaranteed	
		25°C	0° to 50°C	-54° to +85°C*
Frequency	GHz	1.5-6.0	2.0-6.0	2.0-6.0
Small Signal Gain (min)	dB	14.8	13.5	12.5
Gain Flatness (max)	dB	±0.6	±0.9	±1.1
Reverse Isolation	dB	16		
Noise Figure (max)	dB	1.5	2.5	3.0
Power Output @ 1 dB comp. (min)	dBm	18.0	16.5	16.0
IP3	dBm	+30		
IP2	dBm	+45		
Second Order Harmonic IP	dBm	+50		
VSWR Input / Output (max)		1.9:1 / 1.9:1	2.1:1 / 2.1:1	2.2:1 / 2.2:1
DC Current @ 5 Volts (max)	mA	58	65	70

Absolute Maximum Ratings

Parameter	Absolute Maximum
Storage Temperature	-62°C to +150°C
Case Temperature	125°C
DC Voltage	+7 V
Continuous Input Power	+13 dBm
Short Term Input power (1 minute max.)	100 mW
Peak Power (3 µsec max.)	0.25 W
"S" Series Burn-In Temperature (case)	125°C

Thermal Data: $V_{CC} = +5 V_{DC}$

Parameter	Rating
Thermal Resistance θ_{jc}	°C/W
Transistor Power Dissipation P_d	W
Junction Temperature Rise Above Case T_{jc}	°C

* Over temperature performance limits for part number CA6011, guaranteed from 0°C to +50°C only.

M/A-COM Inc. and its affiliates reserve the right to make changes to the product(s) or information contained herein without notice. M/A-COM makes no warranty, representation or guarantee regarding the suitability of its products for any particular purpose, nor does M/A-COM assume any liability whatsoever arising out of the use or application of any product(s) or information.

• **North America** Tel: 800.366.2266 / Fax: 978.366.2266
 • **Europe** Tel: 44.1908.574.200 / Fax: 44.1908.574.300
 • **Asia/Pacific** Tel: 81.44.844.8296 / Fax: 81.44.844.8298

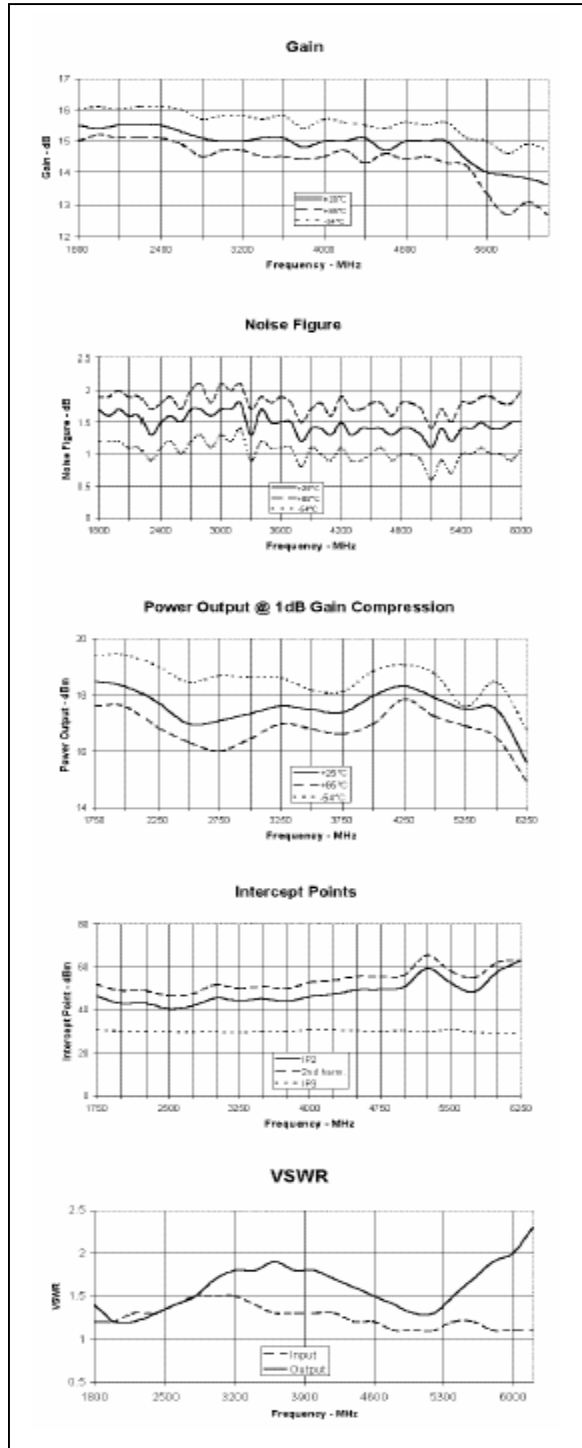
Visit www.macom.com for additional data sheets and product information.

**Cascadable Amplifier
2000 to 6000 MHz**

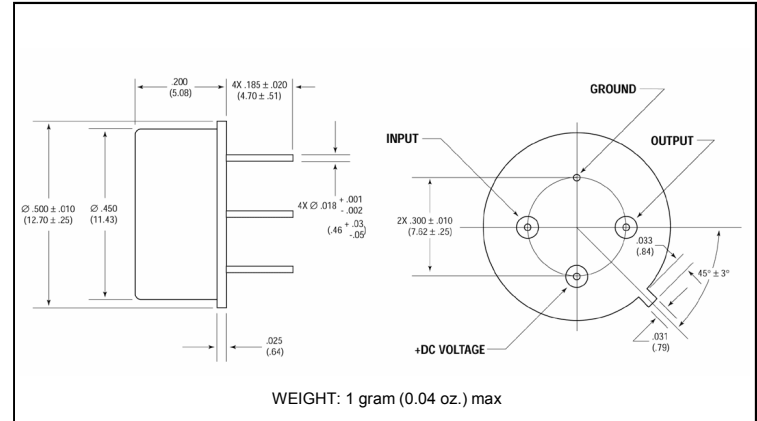
A6011/ SMA6011

V3

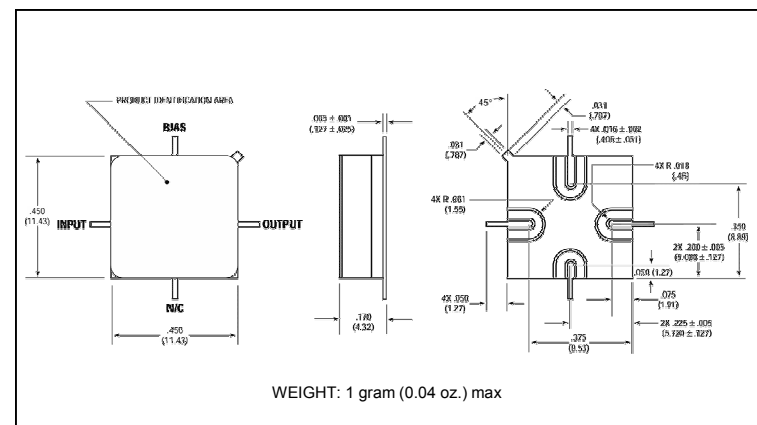
Typical Performance Curves at +25°C



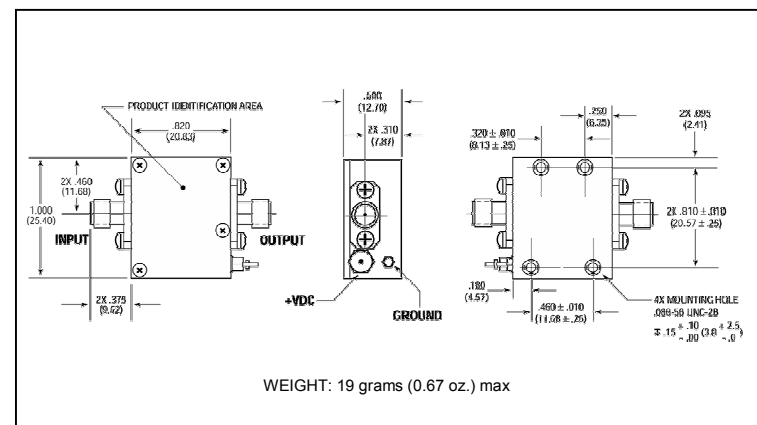
Outline Drawing: TO-8 *



Outline Drawing: Surface Mount *



Outline Drawing: SMA Connectorized *



* Dimensions are inches (millimeters) ±0.015 (0.38) unless otherwise specified.