

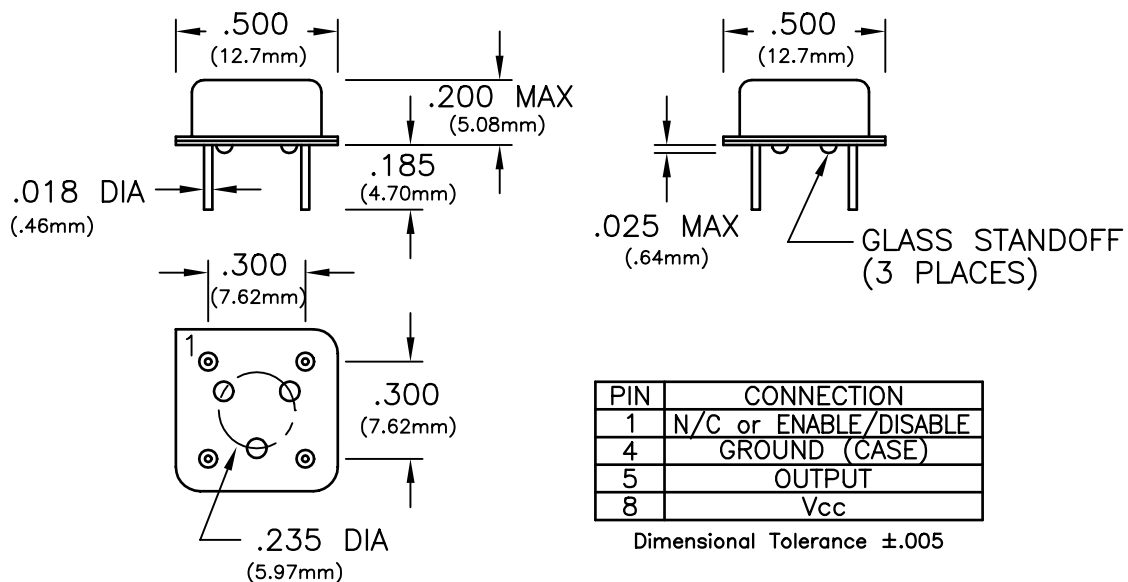


CONNOR-WINFIELD CORPORATION

AURORA, IL. 60505
 PHONE (630) 851-4722
 FAX (630) 851-5040

3 VOLT LOGIC CLOCK OSCILLATORS

SPECIFICATIONS	A64AA	A64RA	
Frequency Range	13MHz to 50MHz		
Frequency Stability	±20ppm		
	(Inclusive of calibration tolerance at 25°C and operating temperature range)		
Temperature Range	-40°C to +85°C		
Output	Waveform	CMOS Squarewave , TTL Compatible	
	Load	50pF Maximum	
	Voltage Voh	Vcc - .5V Minimum	
	Vol	.44V Maximum	
	Current Ioh	-24mA	
	Iol	24mA	
	Duty Cycle	45/55 Maximum Measured at 2V	
Rise/Fall Time	1nS Typical , 3nS Maximum		
Input	Enable/Disable	N/A	Pin 1
	Output Enable/Disable Time	N/A	100nS
	Enable Vih	N/A	2.1V Minimum
	Disable	N/A	0.8V Maximum
	Oscillator output is enabled with no connection on pin 1		
Start Up Time	10mS Maximum		
Supply Voltage	3.3Vdc ±10%		
Supply Current	50mA Maximum		
Package	All metal, hermetically sealed, welded package		



Specifications subject to change without notice

BULLETIN #: AC103
 PAGE 1 OF 1

REV: 00
 DATE: 6/28/96

ISSUED BY: _____