



DESCRIPTION

The A8501 Series is a fixed frequency, constant current step-up DC/DC converter ideal for driving OLED. Output voltage of up to 22V can be derived, and from a li-ion battery supply, the output voltage can be 12V drive OLED. A 2Ω resistance of NMOS is integrated in the circuit, withstand voltage can support 22V, with a small SOT-25 package saves PCB space and BOM cost.

The A8501 is available in SOT-25 package.

ORDERING INFORMATION

Package Type	Part Number	
SOT-25 SPQ: 3,000pcs / Reel	E5	A8501E5R
		A8501E5VR
Note	V: Halogen free Package R: Tape & Reel	
AiT provides all RoHS products		

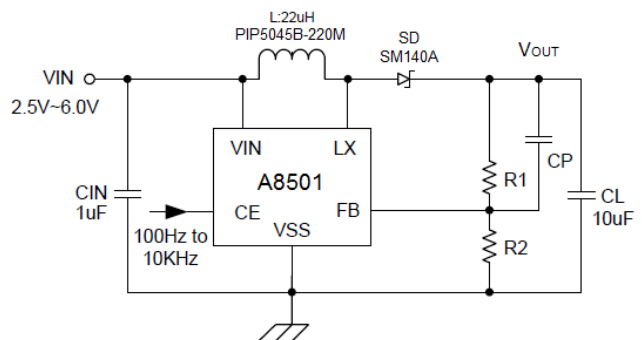
FEATURES

- Input voltage range 2.7V~5.5V
- Output voltage range up to 22V
- Oscillation frequency 1MHz±20%
- Efficiency 88%
- Control PWM control
- Stand-by Current I_{STB}=1.0uA(MAX)
- Load capacitor 10uF,ceramic
- LX limit Current 600mA
- Available in SOT-25 Package

APPLICATION

- Mobil phones, PHS
- PDAs
- Digital still cameras

TYPICAL APPLICATION

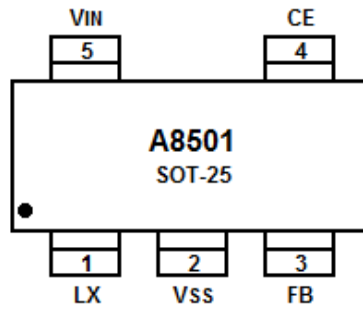


$$\frac{V_{OUT}}{V_{FB}} = \frac{R1+R2}{R2}$$

Note: R1 and R2 can be adjusted by the voltage of V_{OUT} and FB Pin; (when V_{OUT} is equal to 12V, recommended resistor R1 =875k, R2 =100k, CP=100pF)



PIN DESCRIPTION



Top View

Pin #	Symbol	Function
1	LX	Switch
2	V _{SS}	Ground
3	FB	Voltage Feedback
4	CE	Chip Enable, "High" Active.
5	V _{IN}	Power Input



ABSOLUTE MAXIMUM RATINGS

V _{IN} , V _{IN} Pin Voltage	V _{SS} -0.3V ~ V _{SS} +7V
V _{LX} , LX Pin Voltage	V _{SS} -0.3V ~ V _{SS} +22V
V _{FB} , FB Pin Voltage	V _{SS} -0.3V ~ V _{SS} +7V
V _{CE} , CE Pin Voltage	V _{SS} -0.3V ~ V _{SS} +7V
I _{LX} , LX Pin Current	600mA
P _D , Power Dissipation	250mW
T _{OPR} , Operating Temperature range	-40°C ~ + 85°C
T _{STG} , Storage Temperature range	-55°C ~ + 125°C

Stress beyond above listed "Absolute Maximum Ratings" may lead permanent damage to the device. These are stress ratings only and operations of the device at these or any other conditions beyond those indicated in the operational sections of the specifications are not implied. Exposure to absolute maximum rating conditions for extended periods may affect device reliability.



ELECTRICAL CHARACTERISTICS

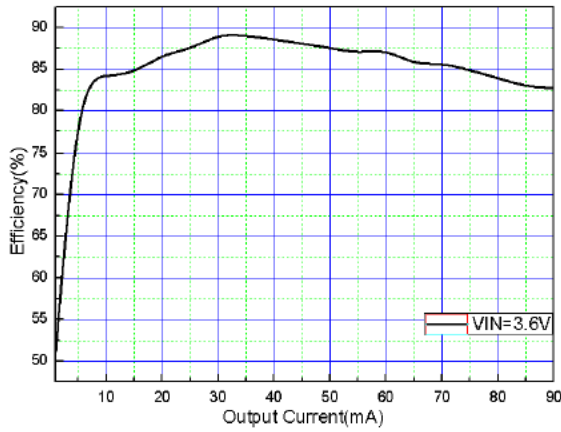
T_A=25°C, unless otherwise noted

Parameter	Symbol	Conditions	Min.	Typ.	Max.	Unit	Circuits
FB Control Voltage	V _{FB}		1.205	1.23	1.255	V	1
Output Voltage Range	V _{OUT}		V _{IN}		22	V	
Lx Operating Voltage Range	V _{LX}				22	V	
Operating Voltage Range	V _{IN}		2.5		6	V	
Stand-by Current	I _{STB}	V _{CE} =0V, V _{LX} =5V			1	μA	3
Supply Current 1	I _{DD1}		500	1200	1500	μA	2
Supply Current 2	I _{DD2}	V _{IN} =V _{LX} , V _{FB} =2V		90		μA	3
Oscillation Frequency	f _{OSC}		0.8	1.0	1.2	MHz	2
Maximum Duty Cycle	MAXDTY	V _{CONT} =0.4V		75		%	2
Efficiency	EFFI	V _{IN} =3.6V; R _{LED} =20Ω		88		%	1
Current Limit	I _{LIM}	V _{IN} =3.6V		600		mA	4
LX On Resistance		V _{IN} =3.6V, V _{LX} =0.4V		2.0		Ω	2
LX Leak Current	I _{LXL}			0	1	uA	3
CE 'H' Voltage	V _{CEH}		1.1			V	2
CE 'L' Voltage	V _{CEL}				0.6	V	2
CE 'H' Current	I _{CEH}	V _{IN} =V _{LX} , V _{FB} =0.4V			0.1	uA	3
CE 'L' Current	I _{CEL}	V _{CE} =0V, V _{LX} =5V			-0.1	uA	3
FB 'H' Current	I _{FBH}	V _{IN} =V _{LX} , V _{FB} =0.4V			0.1	uA	3
FB 'L' Current	I _{FBL}	V _{CE} =0V, V _{LX} =5V			-0.1	uA	3

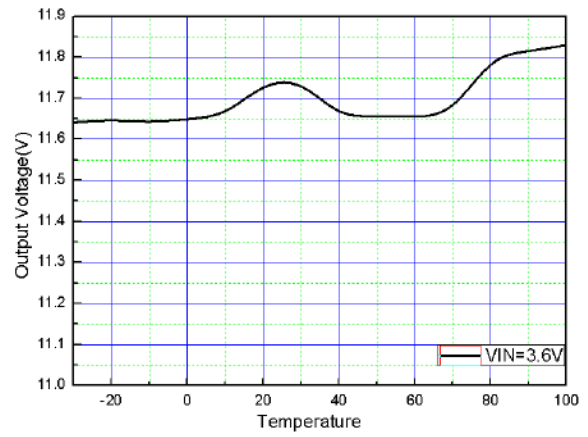


TYPICAL PERFORMANCE CHARACTERISTICS

1. Efficiency vs. Output Current

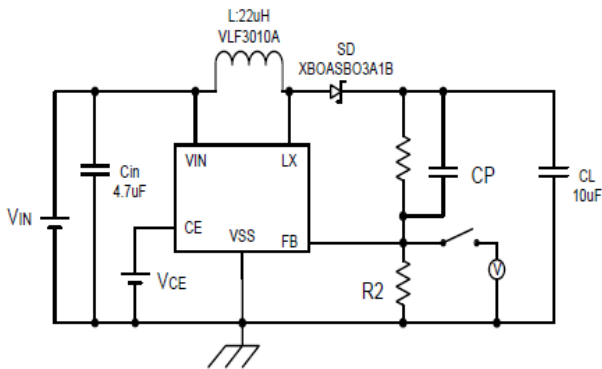


2. Output Voltage vs. Temperature

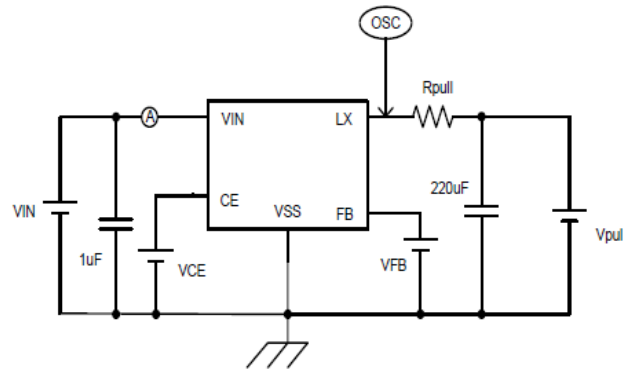


TEST CIRCUIT

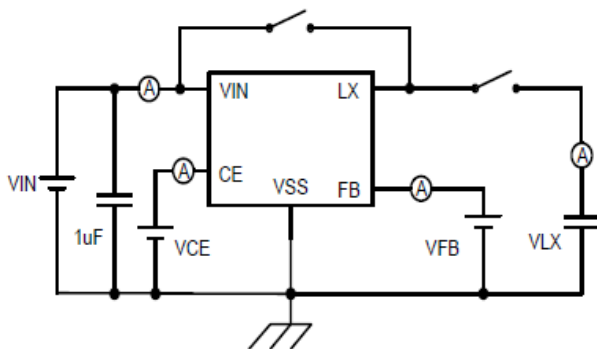
1.



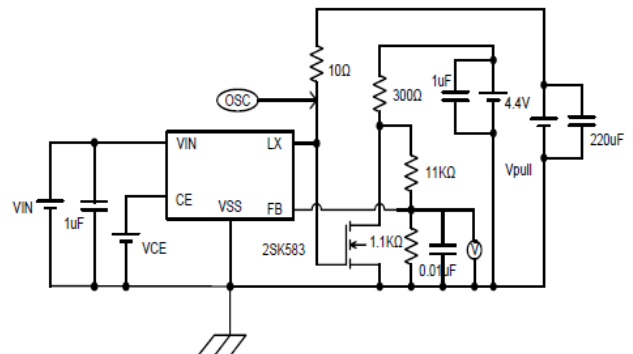
2.



3.



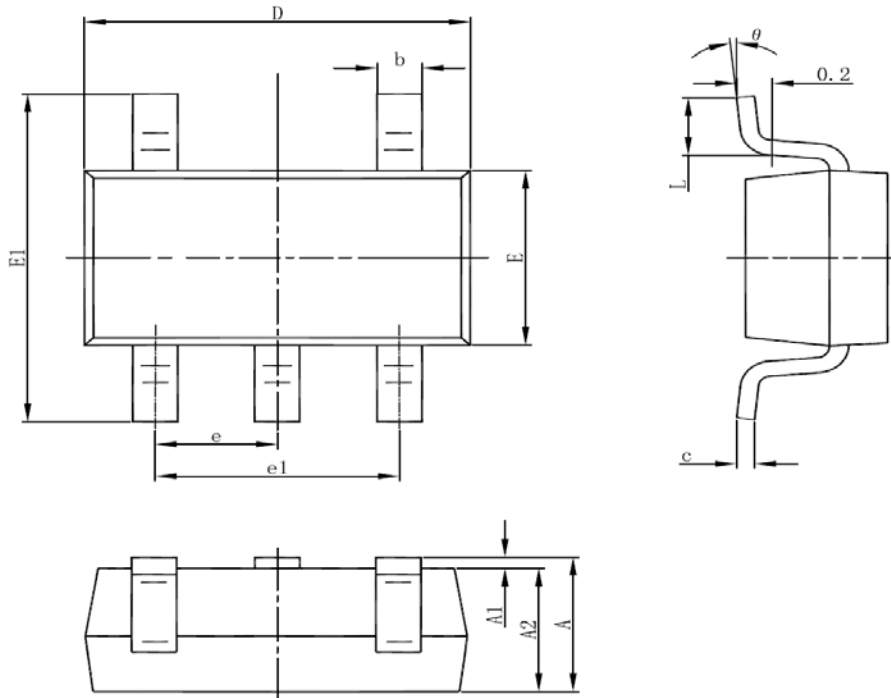
4.





PACKAGE INFORMATION

Dimension in SOT-25 (Unit: mm)



Symbol	Millimeters		Inches	
	Min	Max	Min	Max
A	1.050	1.250	0.041	0.049
A1	0.000	0.100	0.000	0.004
A2	1.050	1.150	0.041	0.045
b	0.300	0.500	0.012	0.020
c	0.100	0.200	0.004	0.008
D	2.820	3.020	0.111	0.119
E	1.500	1.700	0.059	0.067
E1	2.650	2.950	0.104	0.116
e	0.950(BSC)		0.037(BSC)	
e1	1.800	2.000	0.071	0.079
L	0.300	0.600	0.012	0.024
θ	0°	8°	0°	8°



IMPORTANT NOTICE

AiT Semiconductor Inc. (AiT) reserves the right to make changes to any its product, specifications, to discontinue any integrated circuit product or service without notice, and advises its customers to obtain the latest version of relevant information to verify, before placing orders, that the information being relied on is current.

AiT Semiconductor Inc.'s integrated circuit products are not designed, intended, authorized, or warranted to be suitable for use in life support applications, devices or systems or other critical applications. Use of AiT products in such applications is understood to be fully at the risk of the customer. As used herein may involve potential risks of death, personal injury, or server property, or environmental damage. In order to minimize risks associated with the customer's applications, the customer should provide adequate design and operating safeguards.

AiT Semiconductor Inc. assumes to no liability to customer product design or application support. AiT warrants the performance of its products of the specifications applicable at the time of sale.