

PLEASE CHECK WWW.MOLEX.COM FOR LATEST PART INFORMATION

Part Number: **0191180024**
Status: **Active**
Description: Krimptite™ Flanged Spade Tongue Terminal for 18-22 AWG Wire, Stud Size 8, Mylar Tape Carrier

Documents:

[Drawing \(PDF\)](#) [RoHS Certificate of Compliance \(PDF\)](#)

Agency Certification

CSA LR18689
 UL E32244

General

Product Family Ring and Spade Terminals
 Series [19118](#)
 Crimp Quality Equipment Yes
 Mil-Spec N/A
 Product Name Krimptite™
 Type Spade

Physical

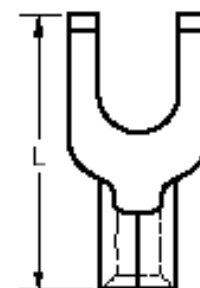
Barrel Type Closed
 Insulation None
 Material - Plating Mating Tin
 Packaging Type Adhesive Tape on Reel
 Stud Size 8 (M4)
 Wire Size AWG 18, 20, 22
 Wire Size mm² 0.25 - 1.50

Material Info

Old Part Number AA-115-08T

Reference - Drawing Numbers

Sales Drawing SD-19118-003



Series
image - Reference only

EU RoHS

ELV and RoHS Compliant
REACH SVHC Contains SVHC: No
Halogen-Free Status
Not Reviewed

China RoHS



Need more information on product environmental compliance?

Email productcompliance@molex.com
 For a multiple part number RoHS Certificate of Compliance, [click here](#)

Please visit the [Contact Us](#) section for any non-product compliance questions.

Search Parts in this Series

[19118Series](#)

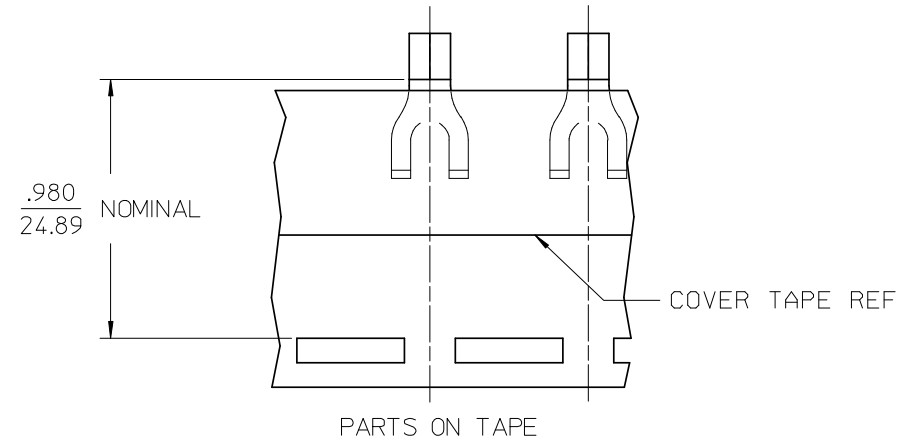
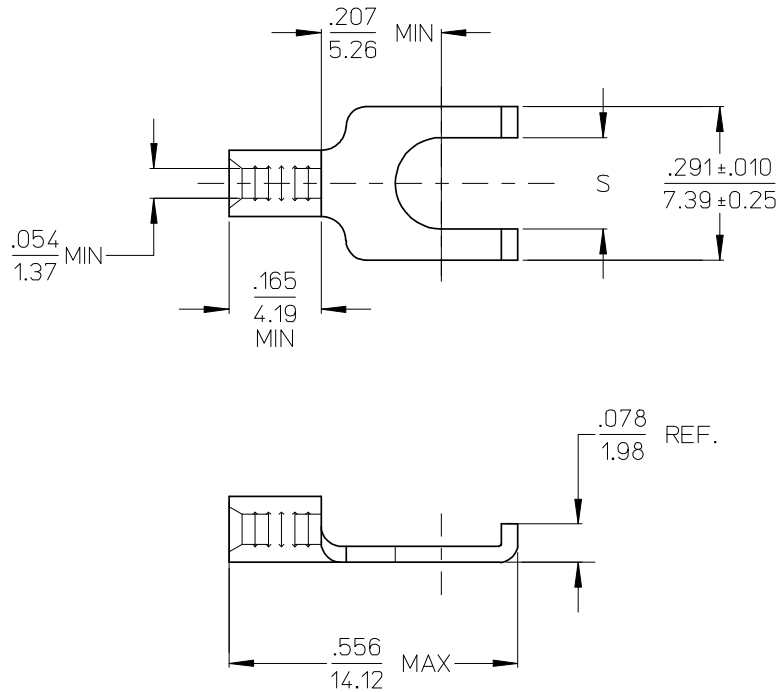
Application Tooling | [FAQ](#)

Tooling specifications and manuals are found by selecting the products below. Crimp Height Specifications are then contained in the Application Tooling Specification document.

Global

Description	Product #
ATP Tooling Kit for ATP-100 and ATP-300 Series Air Crimping Press for Mylar Tape Mounted Terminals	0190270034
Mini-Mac™ Applicator	0638853800

LOOSE PIECE		TAPE MOUNTED			
MATERIAL NUMBER	ENGINEERING NUMBER	MATERIAL NUMBER	ENGINEERING NUMBER	STUD SIZE	S ±.005
191180021	AA-115-06	191180022	AA-115-06T	6	.146/3.71
191180023	AA-115-08	191180024	AA-115-08T	8	.173/4.39
191180025	AA-115-10	191180099	AA-115-10T	10	.198/5.03



SALES DRAWING

NOTES:

1. MATERIAL: COPPER .031/0.78 THICK, REF.
2. PLATING: ELECTRO-TIN
3. PART IS RoHS COMPLIANT

ADD NOTE 3, REV DIMS EC NO: ETC2008-0012 DRWN: RSTONE 2007/11/26 CHKD: JMACNEIL 2007/11/26 APPR: JMACNEIL 2007/12/05	REV DESCRIPTION A	QUALITY SYMBOLS	GENERAL TOLERANCES (UNLESS SPECIFIED)	DIMENSION STYLE	SCALE	DESIGN UNITS	THIRD ANGLE PROJECTION																		
		$\nabla=0$ $\sphericalangle=0$	<table border="1"> <thead> <tr> <th></th> <th>mm</th> <th>INCH</th> </tr> </thead> <tbody> <tr> <td>4 PLACES</td> <td>±---</td> <td>±---</td> </tr> <tr> <td>3 PLACES</td> <td>±---</td> <td>±.005</td> </tr> <tr> <td>2 PLACES</td> <td>±0.13</td> <td>±.01</td> </tr> <tr> <td>1 PLACE</td> <td>±0.25</td> <td>±---</td> </tr> <tr> <td colspan="3">ANGULAR ±---°</td> </tr> </tbody> </table>		mm	INCH	4 PLACES	±---	±---	3 PLACES	±---	±.005	2 PLACES	±0.13	±.01	1 PLACE	±0.25	±---	ANGULAR ±---°			IN/MM	4:1	INCH	
			mm	INCH																					
		4 PLACES	±---	±---																					
3 PLACES	±---	±.005																							
2 PLACES	±0.13	±.01																							
1 PLACE	±0.25	±---																							
ANGULAR ±---°																									
DRAFT WHERE APPLICABLE MUST REMAIN WITHIN DIMENSIONS	DRAWN BY: JJ CHECKED BY: GZ APPROVED BY: GZ DATE: 1984/10/17 DATE: 1984/10/18 DATE: 1984/10/18	TITLE	FLANGED SPADE TONGUE TERMINAL KRIMPTITE 100-SERIES																						
			MATERIAL NO.	DOCUMENT NO.	SHEET NO.																				
			SEE CHART	SD-19118-003	1 OF 1																				
			SIZE B	THIS DRAWING CONTAINS INFORMATION THAT IS PROPRIETARY TO MOLEX INCORPORATED AND SHOULD NOT BE USED WITHOUT WRITTEN PERMISSION																					