

PLEASE CHECK WWW.MOLEX.COM FOR LATEST PART INFORMATION

Part Number: **0190170018**
Status: **Active**
Description: InsulKrimp™ Quick Disconnect, Female, for 18-22 (0.80-0.35) Wire, Box, Tab 5.21mm (.205") x 0.51mm (.020")

Documents:

[Drawing \(PDF\)](#) [RoHS Certificate of Compliance \(PDF\)](#)
[Product Specification PS-19902-008 \(PDF\)](#)

General

| | |
|-------------------------|-------------------|
| Product Family | Quick Disconnects |
| Series | 19017 |
| Crimp Quality Equipment | Yes |
| Product Name | InsulKrimp™ |
| Type | Quick Disconnect |

Physical

| | |
|-------------------------------|---------------------|
| Barrel Type | Closed |
| Color - Resin | Natural |
| Gender | Female |
| Glow-Wire Compliant | No |
| Insulation | PVC |
| Lock to Mating Part | None |
| Material - Metal | Brass |
| Material - Resin | PVC |
| Orientation | Straight |
| Packaging Type | Bag |
| Polarized to Mating Part | No |
| Tab Thickness | 0.51mm (.020") |
| Tab Width | 5.21mm (.205") |
| Temperature Range - Operating | -50°C to +105°C |
| Wire Insulation Diameter | 3.40mm (.134") max. |
| Wire Size AWG | 18, 20, 22 |
| Wire Size mm² | 0.35 - 0.80 |

Electrical

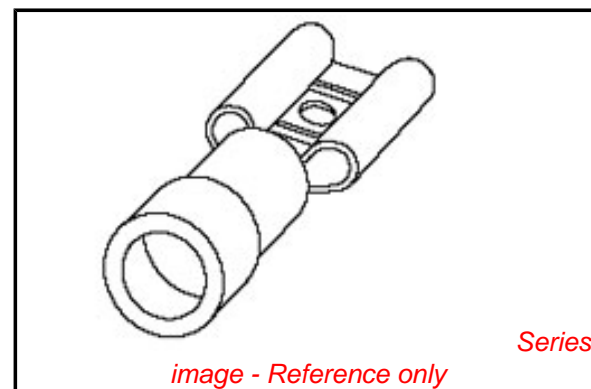
| | |
|-------------------|------|
| Voltage - Maximum | 600V |
|-------------------|------|

Material Info

| | |
|-----------------|---------|
| Old Part Number | AA-2190 |
|-----------------|---------|

Reference - Drawing Numbers

| | |
|-----------------------|--------------|
| Product Specification | PS-19902-008 |
| Sales Drawing | CD2901 |



EU RoHS

ELV and RoHS Compliant
REACH SVHC
 Not Reviewed
Halogen-Free
Status
Not Reviewed

China RoHS



Need more information on product environmental compliance?

Email productcompliance@molex.com
 For a multiple part number RoHS Certificate of Compliance, [click here](#)

Please visit the [Contact Us](#) section for any non-product compliance questions.

Search Parts in this Series

19017Series

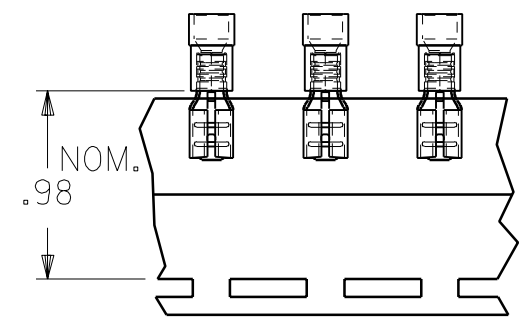
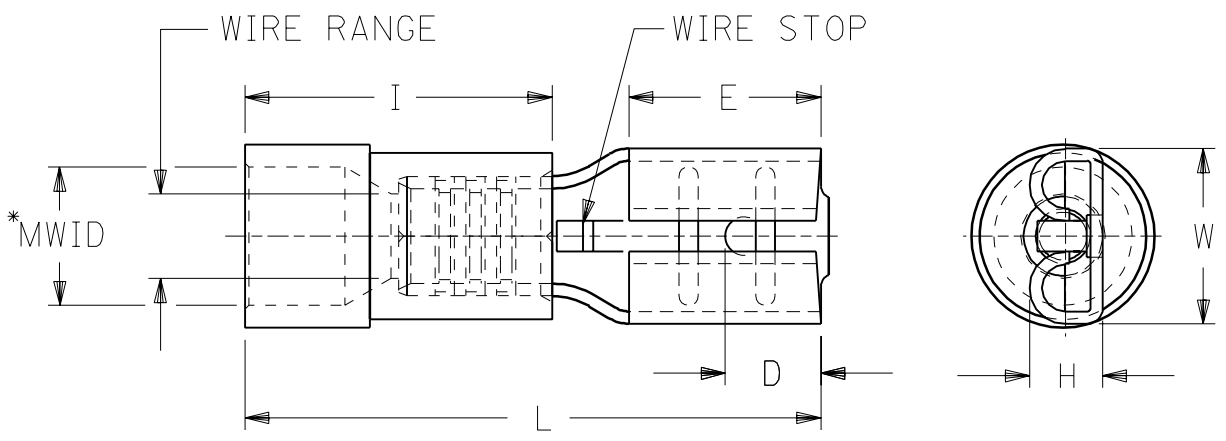
Application Tooling | FAQ

Tooling specifications and manuals are found by selecting the products below. Crimp Height Specifications are then contained in the Application Tooling Specification document.

Global

| Description | Product # |
|--|----------------------------|
| Hand Crimp Tool | 0640010200 |
| Hand Crimp Tool | 0640011700 |
| Crimp Head for the AT-200™ Pneumatic Hand Tool | 0640050200 |

DRWG. NO. CD-2901



MATERIAL: BRASS
 FINISH: ELECTRO-TIN PLATING
 INSULATION: PVC

PART NUMBERS ARE FOR LOOSE
 PIECE ,TO ORDER PARTS ON TAPE
 ADD A "T" TO END OF PART NUMBER.

* MWID=MAXINUM WIRE INSULATION DIAMETER

| PART NUMBER | INS. COLOR | WIRE RANGE AWG | MM ² | FITS MALE TAB SIZE | STOCK THICK. | "L" MAX. | "I" MAX. | "W" MAX. | "D" ±.01 | "H" ±.01 | "E" NOM. | MWID |
|-------------|------------|----------------|-----------------|--------------------|--------------|----------|----------|----------|----------|----------|----------|------|
| AA-2140 | RED | 22-18 | 0.25-1.3 | .250x.032 | .016 | .88 | .41 | .30 | .156 | .103 | .31 | .13 |
| BB-2141 | BLUE | 16-14 | 1.0-2.6 | .250x.032 | .016 | .88 | .41 | .30 | .156 | .103 | .31 | .14 |
| P-2142 | YELLOW | 14-12 | 1.65-4.2 | .250x.032 | .016 | .88 | .41 | .30 | .156 | .103 | .31 | .17 |
| C-2143 | YELLOW | 12-10 | 2.6-6.6 | .250x.032 | .018 | 1.00 | .56 | .30 | .156 | .110 | .31 | .22 |
| AA-2190-032 | RED | 22-18 | 0.25-1.3 | .205x.032 | .016 | .78 | .41 | .251 | .125 | .103 | .25 | .13 |
| BB-2191-032 | BLUE | 16-14 | 1.0-2.6 | .205x.032 | .016 | .78 | .41 | .251 | .125 | .103 | .25 | .14 |
| AA-2190 | RED | 22-18 | 0.25-1.3 | .205x.020 | .016 | .78 | .41 | .251 | .125 | .086 | .25 | .13 |
| BB-2191 | BLUE | 16-14 | 1.0-2.6 | .205x.020 | .016 | .78 | .41 | .251 | .125 | .086 | .25 | .14 |
| AA-2137-032 | RED | 22-18 | 0.25-1.3 | .187x.032 | .016 | .78 | .41 | .24 | .125 | .103 | .25 | .13 |
| BB-2138-032 | BLUE | 16-14 | 1.0-2.6 | .187x.032 | .016 | .78 | .41 | .24 | .125 | .103 | .25 | .14 |
| P-2139-032 | YELLOW | 14-12 | 1.65-4.2 | .187x.032 | .016 | .78 | .41 | .24 | .125 | .103 | .25 | .17 |
| AA-2137 | RED | 22-18 | 0.25-1.3 | .187x.020 | .016 | .78 | .41 | .24 | .125 | .086 | .25 | .13 |
| BB-2138 | BLUE | 16-14 | 1.0-2.6 | .187x.020 | .016 | .78 | .41 | .24 | .125 | .086 | .25 | .14 |
| P-2136 | YELLOW | 14-12 | 1.65-4.2 | .187x.020 | .016 | .78 | .41 | .24 | .125 | .086 | .25 | .17 |

A
 ECN-P5012
 95/06/09 EMF
 ADDED .205 P/W'S
 LTR REVISIONS

REVISE ONLY ON CAD SYSTEM

TITLE
 INSULKRIMP
 QUICK DISCONNECT

CUSTOMER
 DRAWING

DRWC. BY RCM
 CHK'D. BY
 APP'D. BY
 SCALE NO:NE

moLEX ETC INC.
 PINELLAS PARK, FLA. 34665 U.S.A.
 PART NO. SEE TABLE
 FILE NAME CD2901

SHEET NO.
 DATE 11/26/90
 DRWG. NO. CD-2901
 THIS DRAWING CONTAINS INFORMATION THAT IS PROPRIETARY TO MOLEX-ETC INC. AND SHOULD NOT BE USED WITHOUT WRITTEN PERMISSION.
 DIV.
 SIZE A