

### General Description

The AAT1156 SwitchReg is a step-down switching converter ideal for applications where high efficiency is required over the full range of load conditions. The 2.7V to 5.5V input voltage range makes the AAT1156 ideal for single-cell lithium-ion/polymer battery applications. Capable of more than 700mA with internal MOSFETs, the current-mode controlled IC provides high efficiency over a wide operating range. Fully integrated compensation simplifies system design and lowers external parts count.

The AAT1156 is available in a Pb-free, 16-pin, 3x3mm QFN package and is rated over the -40°C to +85°C temperature range.

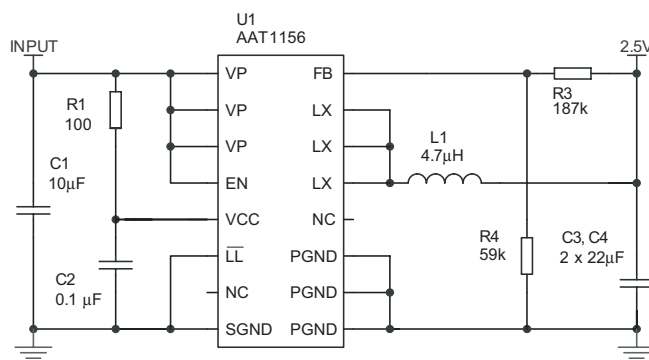
### Features

- $V_{IN}$  Range: 2.7V to 5.5V
- Up to 95% Efficiency
- 110m $\Omega$   $R_{DS(ON)}$  Internal Switches
- <1 $\mu$ A Shutdown Current
- 1MHz Step-Down Switching Frequency
- Fixed or Adjustable  $V_{OUT} \geq 0.8V$
- Integrated Power Switches
- Current Mode Operation
- Internal Compensation
- Stable with Ceramic Capacitors
- Internal Soft Start
- Over-Temperature Protection
- Current Limit Protection
- 16-Pin QFN 3x3mm Package
- -40°C to +85°C Temperature Range

### Applications

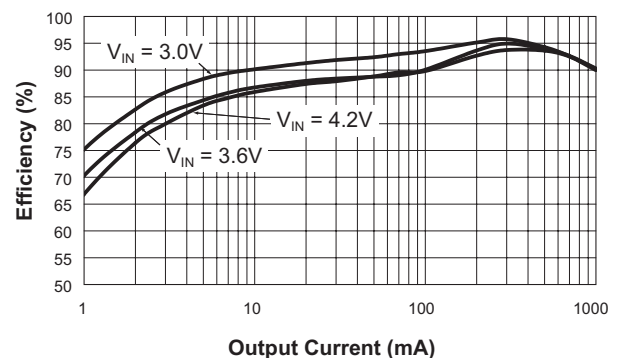
- Cellular Phones
- Digital Cameras
- MP3 Players
- Notebook Computers
- PDAs
- Wireless Notebook Adapters

### Typical Application



C1 Murata 10 $\mu$ F 6.3V X5R GRM42-6X5R106K6.3  
 C3-C4 MuRata 22 $\mu$ F 6.3V GRM21BR60J226ME39L X5R 0805  
 L1 Sumida CDRH3D16-4R7NC

**Efficiency vs. Load Current**  
 ( $V_{OUT} = 2.5V$ ;  $L = 4.7\mu H$ )

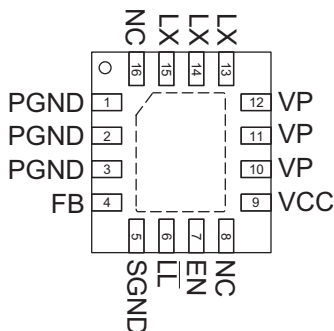


### Pin Descriptions

Pin #	Symbol	Function
1, 2, 3	PGND	Main power ground return pin. Connect to the output and input capacitor return. (See board layout rules.)
4	FB	Feedback input pin. This pin is connected to the converter output. It is used to set the output of the converter to regulate to the desired value via an internal resistive divider. For an adjustable output, an external resistive divider is connected to this pin on the 1V model.
5	SGND	Signal ground. Connect the return of all small signal components to this pin. (See board layout rules.)
6	$\overline{\text{LL}}$	Mode selector switch. When pulled low, the device enters light load mode.
7	EN	Enable input pin. A logic high enables the converter; a logic low forces the AAT1156 into shutdown mode, reducing the supply current to less than 1 $\mu$ A. The pin should not be left floating.
8, 16	NC	Not internally connected.
9	VCC	Bias supply. Supplies power for the internal circuitry. Connect to input power via low pass filter with decoupling to SGND.
10, 11, 12	VP	Input supply voltage for the converter power stage. Must be closely decoupled to PGND.
13, 14, 15	LX	Connect inductor to these pins. Switching node internally connected to the drain of both high- and low-side MOSFETs.
EP		Exposed paddle (bottom); connect to PGND directly beneath package.

### Pin Configuration

**QFN33-16**  
(Top View)



### Absolute Maximum Ratings<sup>1</sup>

Symbol	Description	Value	Units
$V_{CC}, V_P$	VCC, VP to GND	6	V
$V_{LX}$	LX to GND	-0.3 to $V_P + 0.3$	V
$V_{FB}$	FB to GND	-0.3 to $V_{CC} + 0.3$	V
$V_{EN}$	EN to GND	-0.3 to 6	V
$T_J$	Operating Junction Temperature Range	-40 to 150	°C
$V_{ESD}$	ESD Rating <sup>2</sup> - HBM	3000	V

### Thermal Characteristics

Symbol	Description	Value	Units
$\Theta_{JA}$	Maximum Thermal Resistance (QFN33-16) <sup>3</sup>	50	°C/W
$P_D$	Maximum Power Dissipation (QFN33-16) <sup>4</sup> ( $T_A = 25^\circ\text{C}$ )	2.0	W

### Recommended Operating Conditions

Symbol	Description	Value	Units
T	Ambient Temperature Range	-40 to 85	°C

1. Stresses above those listed in Absolute Maximum Ratings may cause damage to the device. Functional operation at conditions other than the operating conditions specified is not implied. Only one Absolute Maximum Rating should be applied at any one time.
2. Human body model is 100pF capacitor discharged through a 1.5kΩ resistor into each pin.
3. Mounted on a demo board (FR4, in still air).
4. Derate 20mW/°C above 25°C.

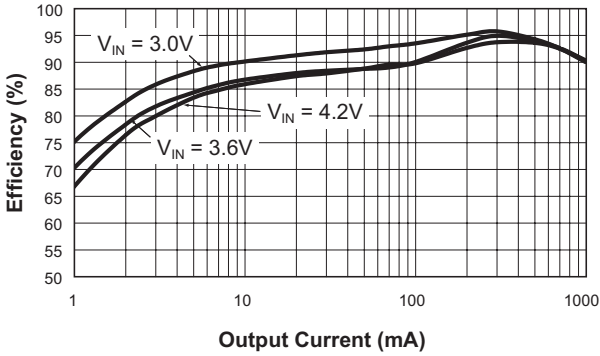
### Electrical Characteristics

$V_{IN} = V_{CC} = V_P = 5V$ ,  $T_A = -40^{\circ}C$  to  $+85^{\circ}C$ , unless otherwise noted. Typical values are at  $T_A = 25^{\circ}C$ .

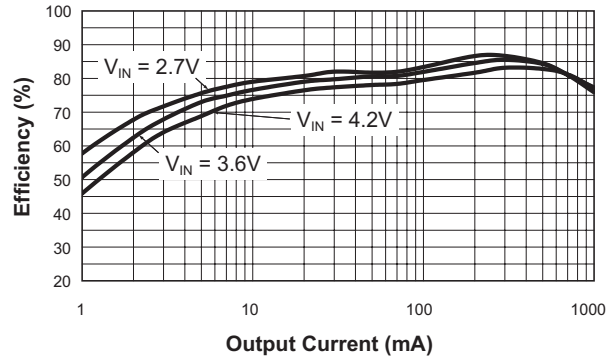
Symbol	Description	Conditions	Min	Typ	Max	Units
$V_{IN}$	Input Voltage Range		2.7		5.5	V
$V_{OUT}$	Output Voltage Tolerance	$V_{IN} = V_{OUT} + 0.2$ to $5.5V$ , $I_{OUT} = 0$ to $700mA$	-3		3	%
$V_{IL}$	Input Low Voltage				0.6	V
$V_{IH}$	Input High Voltage		1.4			V
$V_{UVLO}$	Under-Voltage Lockout	$V_{IN}$ Rising, $V_{EN} = V_{CC}$			2.5	V
		$V_{IN}$ Falling, $V_{EN} = V_{CC}$	1.2			
$V_{UVLO(HYS)}$	Under-Voltage Lockout Hysteresis			250		mV
$I_{IL}$	Input Low Current	$V_{IN} = V_{FB} = 5.5V$			1.0	$\mu A$
$I_{IH}$	Input High Current	$V_{IN} = V_{FB} = 0V$			1.0	$\mu A$
$I_Q$	Quiescent Supply Current	No Load, $LL = 0V$ ; $V_{FB} = 0V$ , $V_{IN} = 4.2V$ , $T_A = 25^{\circ}C$		220	350	$\mu A$
$I_{SHDN}$	Shutdown Current	$V_{EN} = 0V$ , $V_{IN} = 5.5V$			1.0	$\mu A$
$I_{LIM}$	Current Limit	$T_A = 25^{\circ}C$	1.2			A
$R_{DS(ON)H}$	High Side Switch On Resistance	$T_A = 25^{\circ}C$		110	150	$m\Omega$
$R_{DS(ON)L}$	Low Side Switch On Resistance	$T_A = 25^{\circ}C$		100	150	$m\Omega$
$\Delta V_{OUT}(V_{OUT} * \Delta V_{IN})$	Load Regulation	$V_{IN} = 4.2V$ , $I_{LOAD} = 0$ to $700mA$		$\pm 0.9$		%
$\Delta V_{OUT}/V_{OUT}$	Line Regulation	$V_{IN} = 2.7$ to $5.5V$		$\pm 0.1$		%/V
$F_{OSC}$	Oscillator Frequency	$T_A = 25^{\circ}C$	750	1000	1350	kHz
$T_{SD}$	Over-Temperature Shutdown Threshold			140		$^{\circ}C$
$T_{HYS}$	Over-Temperature Shutdown Hysteresis			15		$^{\circ}C$

### Typical Characteristics

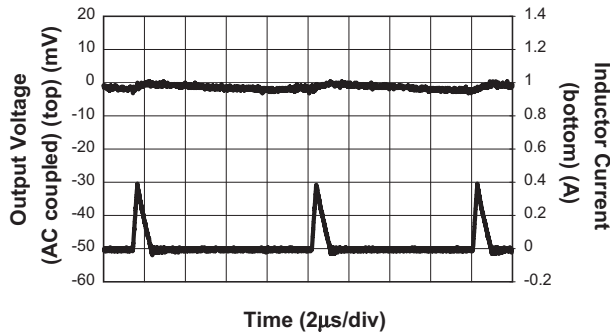
**Efficiency vs. Load Current**  
( $V_{OUT} = 2.5V$ ;  $L = 4.7\mu H$ )



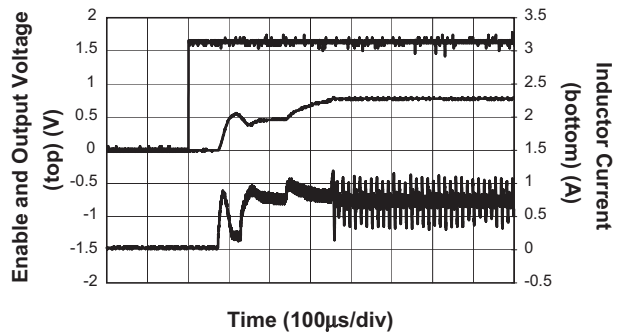
**Efficiency vs. Load Current**  
( $V_{OUT} = 0.8V$ ;  $L = 2.2\mu H$ )



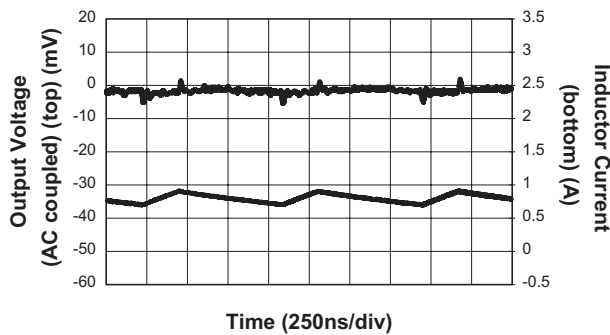
**Output Ripple**  
( $0.8V$ ;  $10mA$ ;  $V_{IN} = 3.6V$ )



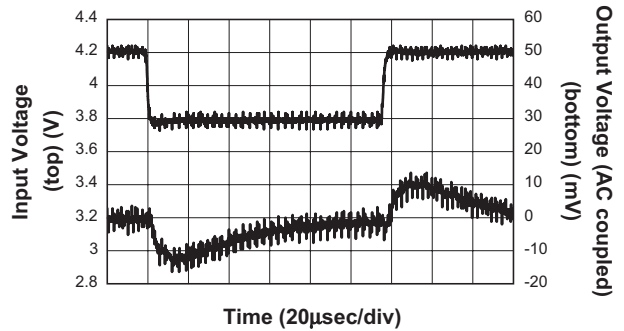
**Soft Start**  
( $0.8V$ ;  $700mA$ ;  $V_{IN} = 3.6V$ )



**Output Ripple**  
( $0.8V$ ;  $700mA$ ;  $V_{IN} = 3.6V$ )

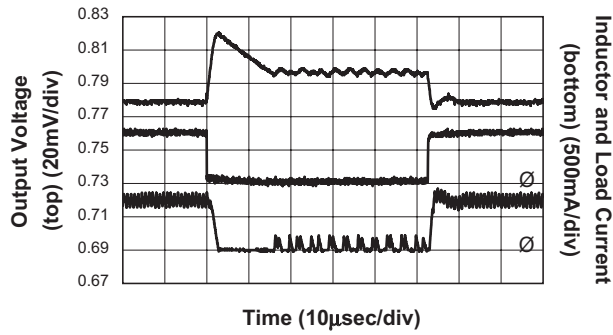


**Line Transient**  
( $I_{OUT} = 500mA$ ;  $V_O = 0.8V$ )

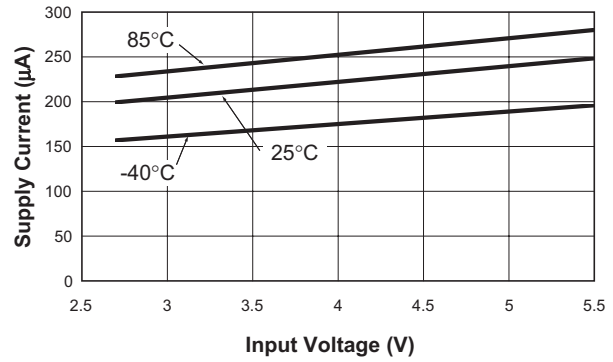


### Typical Characteristics

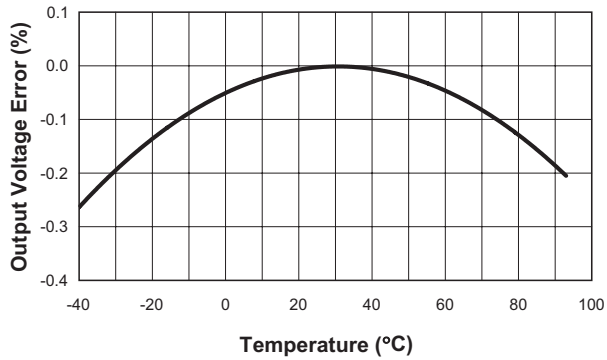
**Load Transient Response**  
(50mA to 680mA;  $V_{IN} = 3.6V$ ;  $V_{OUT} = 0.8V$ )



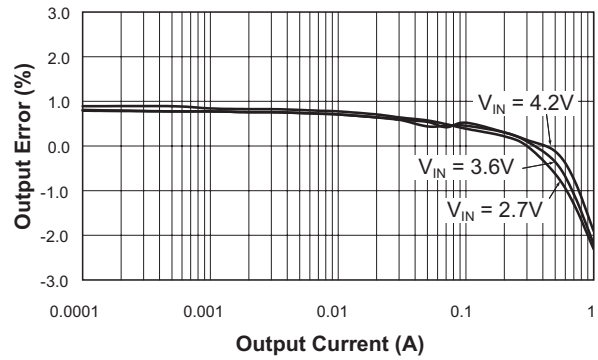
**No Load Supply Current vs. Input Voltage**



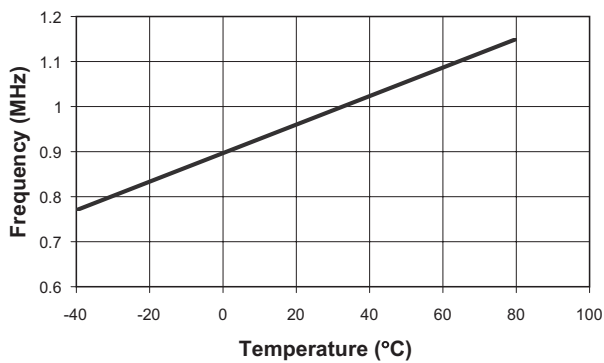
**Output Voltage vs. Temperature**  
( $V_{IN} = 4.2V$ ;  $V_{OUT} = 0.8V$ ; 400mA  $V_{OUT}$ )



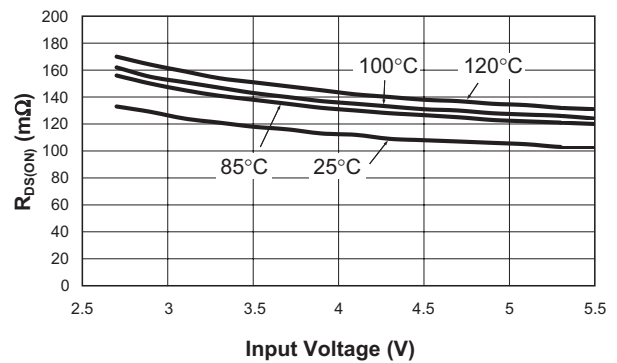
**DC Regulation**  
( $V_{OUT} = 0.6V$ )



**Frequency vs. Temperature**  
( $V_{IN} = 3.6V$ )

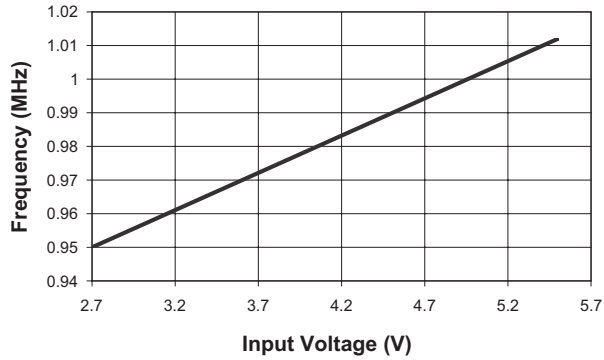


**P-Channel  $R_{DS(ON)}$  vs. Input Voltage**

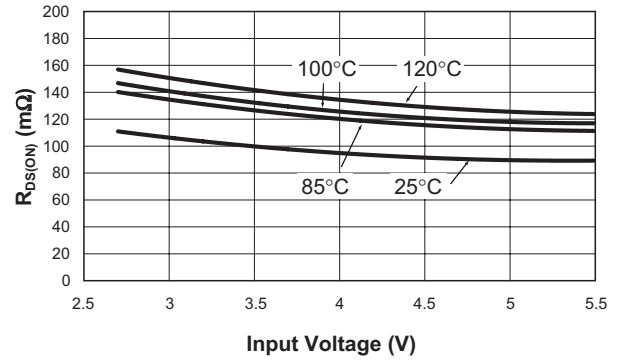


### Typical Characteristics

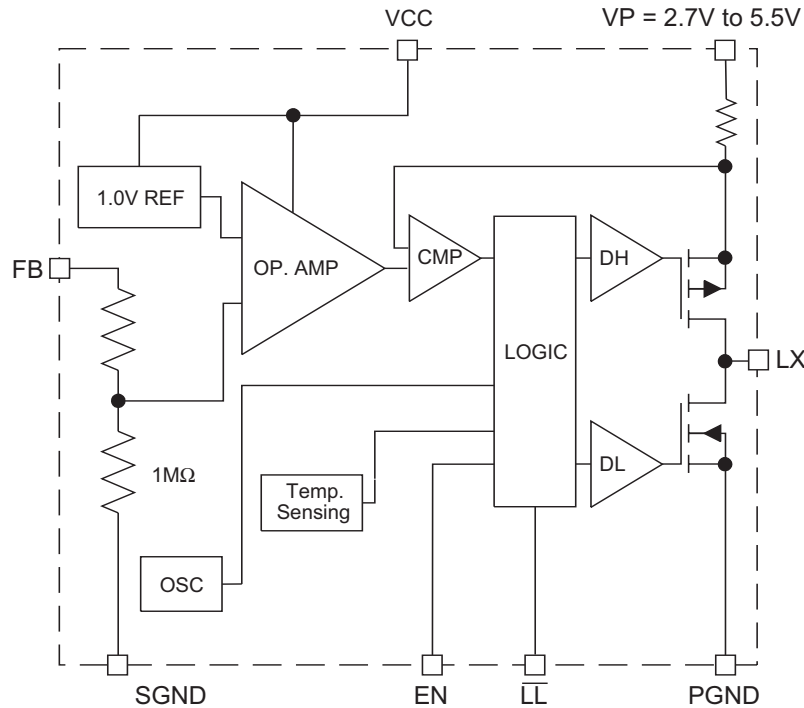
Frequency vs. Input Voltage



N-Channel  $R_{DS(ON)}$  vs. Input Voltage



### Functional Block Diagram



## Operation

### Control Loop

The AAT1156 is a peak current mode step-down converter. The inner wide bandwidth loop controls the inductor peak current. The inductor current is sensed through the P-channel MOSFET (high side) and is also used for short-circuit and overload protection. A fixed slope compensation signal is added to the sensed current to maintain stability for duty cycles greater than 50%. The loop appears as a voltage-programmed current source in parallel with the output capacitor.

The voltage error amplifier output programs the current loop for the necessary inductor current to force a constant output voltage for all load and line conditions. The external voltage feedback resistive divider divides the output voltage to the error amplifier reference voltage of 0.6V. The voltage error amplifier DC gain is limited. This eliminates the need for external compensation components, while

still providing sufficient DC loop gain for good load regulation. The voltage loop crossover frequency and phase margin are set by the output capacitor.

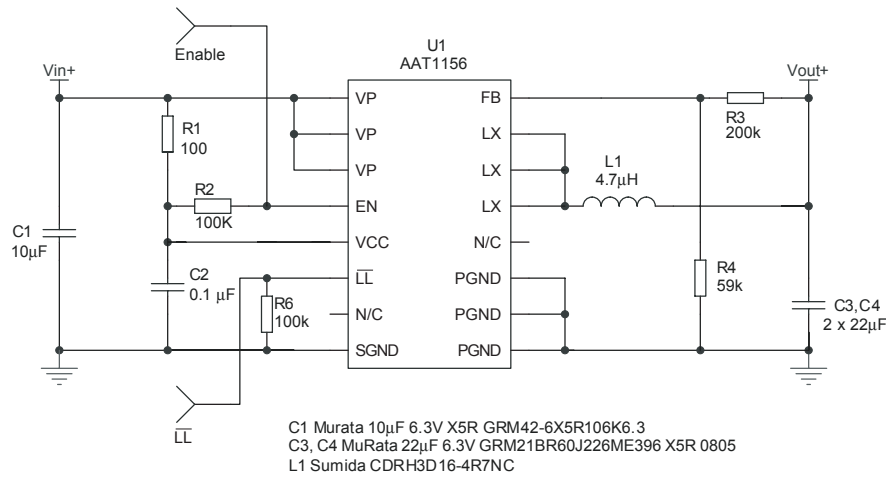
### Soft Start/Enable

Soft start increases the inductor current limit point in discrete steps once the input voltage or enable input is applied. It limits the current surge seen at the input and eliminates output voltage overshoot. When pulled low, the enable input forces the AAT1156 into a non-switching shutdown state. The total input current during shutdown is less than 1 $\mu$ A.

### Power and Signal Source

Separate small signal ground and power supply pins isolate the internal control circuitry from the noise associated with the output MOSFET switching. The low pass filter R1 and C2 (shown in the schematic in Figure 1) filters the input noise associated with the power switching.





**Figure 1: AAT1156 Evaluation Board Schematic—Lithium-Ion to 2.5V Converter.**

### Current Limit and Over-Temperature Protection

For overload conditions, the peak input current is limited. As load impedance decreases and the output voltage falls closer to zero, more power is dissipated internally, raising the device temperature. Thermal protection completely disables switching when internal dissipation becomes excessive, protecting the device from damage. The junction over-temperature threshold is 140°C with 15°C of hysteresis.

### Inductor

The output inductor is selected to limit the ripple current to a predetermined value, typically 20% to 40% of the full load current at the maximum input voltage. Manufacturer's specifications list both the inductor DC current rating, which is a thermal limitation, and the peak current rating, which is determined by the saturation characteristics. The inductor should not show any appreciable saturation under normal load conditions. Some inductors may meet the peak and average current ratings yet result in excessive losses due to a high DCR. Always consider the losses associated with the DCR and its effect on the total converter efficiency when selecting an inductor.

For a 0.7A, 1.5V output with the ripple set to 40% at a maximum input voltage of 4.2V, the maximum peak-to-peak ripple current is 280mA. The inductance value required is 3.44µH.

$$L = \frac{V_{OUT}}{I_O \cdot k \cdot F_S} \cdot \left(1 - \frac{V_{OUT}}{V_{IN}}\right)$$

$$L = \frac{1.5V}{0.7A \cdot 0.4 \cdot 1MHz} \cdot \left(1 - \frac{1.5V}{4.2V}\right)$$

$$L = 3.44\mu H$$

The factor "k" is the fraction of full load selected for the ripple current at the maximum input voltage. For ripple current at 40% of the full load current, the peak current will be 120% of full load. Selecting a standard value of 3.3µH gives 42% ripple current. A 3.3µH inductor selected from the Sumida CDRH3D16 series has a 63mΩ DCR and a 1.1A DC current rating. At full load, the inductor DC loss is 31mW which amounts to less than 3% loss in efficiency for a 0.7A, 1.5V output.

### Input Capacitor

The primary function of the input capacitor is to provide a low impedance loop for the edges of pulsed current drawn by the AAT1156. A low ESR/ESL ceramic capacitor is ideal for this function. To minimize stray inductance, the capacitor should be placed as closely as possible to the IC. This keeps the high frequency content of the input current localized, minimizing radiated and conducted EMI while facilitating optimum performance of the AAT1156. Ceramic X5R or X7R capacitors are ideal for this function. The size required will vary depending on

the load, output voltage, and input voltage source impedance characteristics. Values range from 1μF to 10μF. The input capacitor RMS current varies with the input voltage and output voltage. The equation for the RMS current in the input capacitor is:

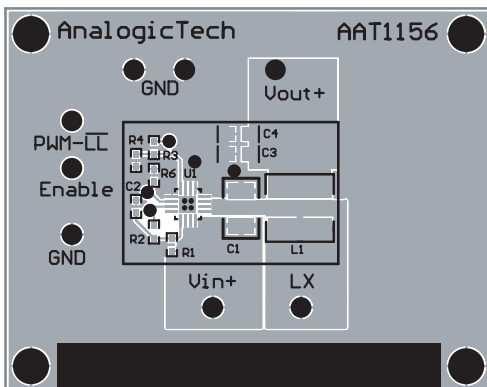
$$I_{RMS} = I_O \cdot \sqrt{\frac{V_O}{V_{IN}} \cdot \left(1 - \frac{V_O}{V_{IN}}\right)}$$

The input capacitor RMS ripple current reaches a maximum when  $V_{IN}$  is two times the output voltage, where it is approximately one half of the load current. Losses associated with the input ceramic capacitor are typically minimal and are not an issue. Proper placement of the input capacitor is shown in the reference design layout in Figure 2.

### Output Capacitor

Since there are no external compensation components, the output capacitor has a strong effect on loop stability. Larger output capacitance will reduce the crossover frequency with greater phase margin. For the 1.5V, 0.7A design using the 3.3μH inductor, two 22μF capacitors provide a stable output. In addition to assisting in stability, the output capacitor limits the output ripple and provides holdup during large load transitions. The output capacitor RMS ripple current is given by:

$$I_{RMS} = \frac{1}{2 \cdot \sqrt{3}} \cdot \frac{V_{OUT} \cdot (V_{IN} - V_{OUT})}{L \cdot F_S \cdot V_{IN}}$$



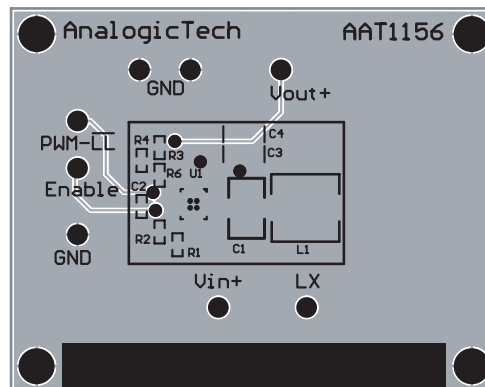
**Figure 2: AAT1156 Evaluation Board Top Side.**

For an X7R or X5R ceramic capacitor, the ESR is so low that dissipation due to the RMS current of the capacitor is not a concern. Tantalum capacitors with sufficiently low ESR to meet output voltage ripple requirements also have an RMS current rating well beyond that actually seen in this application.

### Layout

Figures 2 and 3 display the suggested PCB layout for the AAT1156. The following guidelines should be used to help ensure a proper layout.

1. The input capacitor (C1) should connect as closely as possible to VP (Pins 10, 11, and 12) and PGND (Pins 1, 2, and 3).
2. C3, C4, and L1 should be connected as closely as possible. The connection from L1 to the LX node should be as short as possible.
3. The feedback trace (Pin 4) should be separate from any power trace and connect as closely as possible to the load point. Sensing along a high-current load trace will degrade DC load regulation.
4. The resistance of the trace from the load return to PGND (Pins 1, 2, and 3) should be kept to a minimum. This will help to minimize any error in DC regulation due to differences in the potential of the internal signal ground and the power ground.
5. Low pass filter R1 and C2 provide a cleaner bias source for the AAT1156 active circuitry. C2 should be placed as closely as possible to SGND (Pin 5) and VCC (Pin 9).



**Figure 3: AAT1156 Evaluation Board Bottom Side.**

### Thermal Calculations

There are three types of losses associated with the AAT1156: MOSFET switching losses, conduction losses, and quiescent current losses. The conduction losses are due to the  $R_{DS(ON)}$  characteristics of the internal P- and N-channel MOSFET power devices. At full load, assuming continuous conduction mode (CCM), a simplified form of the total losses is given by:

$$P = \frac{I_O^2 \cdot (R_{DS(ON)H} \cdot V_O + R_{DS(ON)L} \cdot (V_{IN} - V_O))}{V_{IN}} + (t_{sw} \cdot F_S \cdot I_O \cdot V_{IN} + I_Q) \cdot V_{IN}$$

where  $I_Q$  is the AAT1156 quiescent current.

Once the total losses have been determined, the junction temperature can be derived from the  $\theta_{JA}$  for the QFN33-16 package.

$$T_J = P \cdot \theta_{JA} + T_{AMB}$$

### Adjustable Output

Resistors R3 and R4 of Figure 1 force the output to regulate higher than 0.6V. The optimum value for R4 is 59k $\Omega$ . Values higher than this may cause problems with stability, while lower values can degrade light load efficiency. For a 2.5V output with R4 set to 59k $\Omega$ , R3 is 187k $\Omega$ .

$$R3 = \left( \frac{V_O}{V_{REF}} - 1 \right) \cdot R4 = \left( \frac{2.5V}{0.6V} - 1 \right) \cdot 59k\Omega = 187k\Omega$$

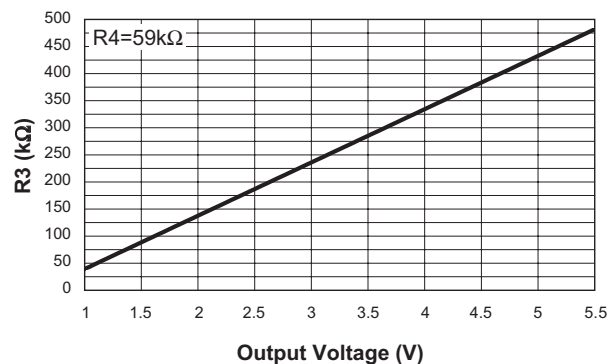


Figure 4: R3 vs.  $V_{OUT}$  for Adjustable Output Using the AAT1156.

## Design Example

### Specifications

$I_{OUT}$	0.7A
$I_{RIPPLE}$	40% of Full Load at Max $V_{IN}$
$V_{OUT}$	2.5V
$V_{IN}$	2.7V to 4.2V (3.6V nominal)
$F_S$	1MHz
$T_{AMB}$	85°C

### Maximum Input Capacitor Ripple:

$$I_{RMS} = I_O \cdot \sqrt{\frac{V_O}{V_{IN}} \cdot \left(1 - \frac{V_O}{V_{IN}}\right)} = 0.34 \text{Arms}, V_{IN} = 2 \cdot V_O$$

$$P = esr \cdot I_{RMS}^2 = 5\text{m}\Omega \cdot 0.34^2 \text{ A} = 0.6\text{mW}$$

### Inductor Selection:

$$L = \frac{V_{OUT}}{I_O \cdot k \cdot F_S} \cdot \left(1 - \frac{V_{OUT}}{V_{IN}}\right) = \frac{2.5\text{V}}{0.7\text{A} \cdot 0.3 \cdot 1\text{MHz}} \cdot \left(1 - \frac{2.5\text{V}}{4.2\text{V}}\right) = 4.82\mu\text{H}$$

Select Sumida inductor CDRH3D16 or CDRH4D28 4.7 $\mu$ H.

$$\Delta I = \frac{V_O}{L \cdot F_S} \cdot \left(1 - \frac{V_O}{V_{IN}}\right) = \frac{2.5\text{V}}{4.7\mu\text{H} \cdot 1\text{MHz}} \cdot \left(1 - \frac{2.5\text{V}}{4.2\text{V}}\right) = 220\text{mA}$$

$$I_{PK} = I_{OUT} + \frac{\Delta I}{2} = 0.7\text{A} + 0.11\text{A} = 0.81\text{A}$$

$$P = I_O^2 \cdot DCR = (0.7\text{A})^2 \cdot 80\text{m}\Omega = 40\text{mW}$$

### Output Capacitor Ripple Current:

$$I_{RMS} = \frac{1}{2 \cdot \sqrt{3}} \cdot \frac{V_{OUT} \cdot (V_{IN} - V_{OUT})}{L \cdot F_S \cdot V_{IN}} = \frac{1}{2 \cdot \sqrt{3}} \cdot \frac{2.5V \cdot (4.2V - 2.5V)}{4.7\mu H \cdot 1MHz \cdot 4.2V} = 62mA_{RMS}$$

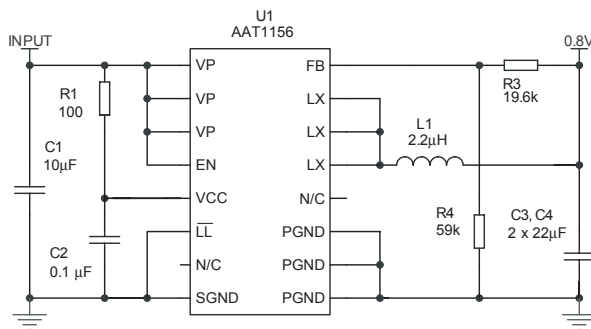
$$P_{esr} = esr \cdot I_{RMS}^2 = 5m\Omega \cdot (62mA)^2 = 19\mu W$$

### AAT1156 Dissipation:

$$P_{TOTAL} = \frac{I_O^2 \cdot (R_{DS(ON)H} \cdot V_O + R_{DS(ON)L} \cdot (V_{IN} - V_O))}{V_{IN}} + (t_{sw} \cdot F_S \cdot I_O + I_Q) \cdot V_{IN}$$

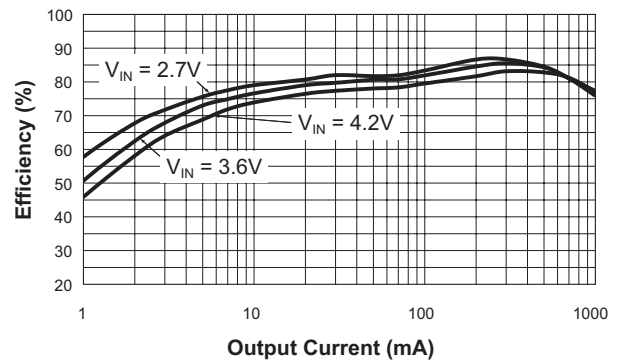
$$= \frac{(0.7A)^2 \cdot (0.17\Omega \cdot 2.5V + 0.16\Omega \cdot (4.2V - 1.5V))}{4.2V} + (20nsec \cdot 1MHz \cdot 0.7A + 300\mu A) \cdot 4.2V = 0.141W$$

$$T_{J(MAX)} = T_{AMB} + \Theta_{JA} \cdot P_{LOSS} = 85^\circ C + 50^\circ C/W \cdot 0.141W = 92^\circ C$$



C1 Murata 10μF 6.3V X5R GRM42-6X5R106K6.3  
 C3, C4 MuRata 22μF 6.3V GRM21BR60J226ME39L X5R 0805  
 L1 Sumida CDRH3D16-2R2NC

**Efficiency vs. Load Current**  
 (V<sub>OUT</sub> = 0.8V; L = 2.2μH)



**Figure 5: 0.8V Solution.**

### Surface Mount Inductors

Manufacturer	Part Number	Value	Max DC Current	DCR	Size (mm) L x W x H	Type
TaiyoYuden	NPO5DB4R7M	4.7μH	1.4A	0.038	5.9x6.1x2.8	Shielded
Toko	A914BYW-3R5M-D52LC	3.5μH	1.34A	0.073	5.0x5.0x2.0	Shielded
Sumida	CDRH4D28-4R7	4.7μH	1.32A	0.072	4.7x4.7x3.0	Shielded
Sumida	CDRH3D16-2R2	2.2μH	1.2A	0.050	3.8x3.8x1.8	Shielded
Sumida	CDRH3D16-3R3	3.3μH	1.1A	0.063	3.8x3.8x1.8	Shielded
Sumida	CDRH3D16-4R7	4.7μH	0.9	0.080	3.8x3.8x1.8	Shielded
Sumida	CDRH5D28-4R2	4.2μH	2.2A	0.031	5.7x5.7x3.0	Shielded
Sumida	CDRH5D18-4R1	4.1μH	1.95A	0.057	5.7x5.7x2.0	Shielded
MuRata	LQH55DN4R7M03	4.7μH	2.7A	0.041	5.0x5.0x4.7	Non-Shielded
MuRata	LQH66SN4R7M03	4.7μH	2.2A	0.025	6.3x6.3x4.7	Shielded

### Surface Mount Capacitors

Manufacturer	Part Number	Value	Voltage	Temp. Co.	Case
MuRata	GRM40 X5R 106K 6.3	10μF	6.3V	X5R	0805
MuRata	GRM42-6 X5R 106K 6.3	10μF	6.3V	X5R	1206
MuRata	GRM21BR60J226ME39L	22μF	6.3V	X5R	0805

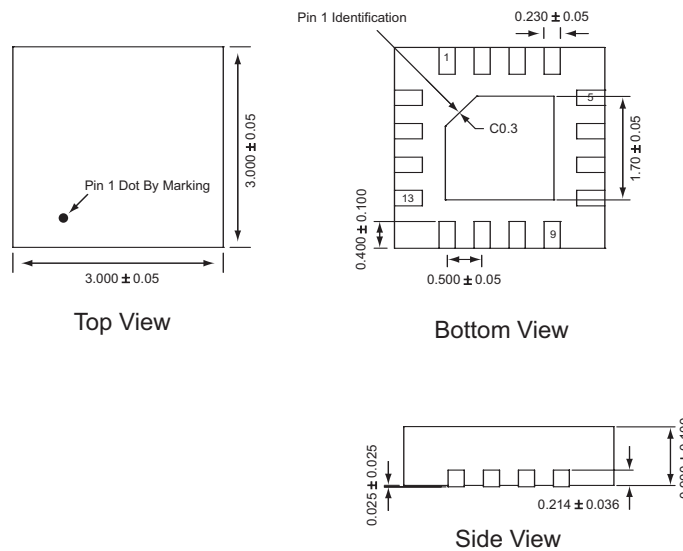
### Ordering Information

Output Voltage	Package	Marking <sup>1</sup>	Part Number (Tape and Reel) <sup>2</sup>
0.6V (Adj VOUT ≥ 0.8V)	QFN33-16	LUXYY	AAT1156IVN-T1



All AnalogicTech products are offered in Pb-free packaging. The term “Pb-free” means semiconductor products that are in compliance with current RoHS standards, including the requirement that lead not exceed 0.1% by weight in homogeneous materials. For more information, please visit our website at <http://www.analogictech.com/pbfree>.

### Package Information<sup>3</sup>



All dimensions in millimeters.

1. XYY = assembly and date code.
2. Sample stock is generally held on part numbers listed in **BOLD**.
3. The leadless package family, which includes QFN, TQFN, DFN, TDFN and STDFN, has exposed copper (unplated) at the end of the lead terminals due to the manufacturing process. A solder fillet at the exposed copper edge cannot be guaranteed and is not required to ensure a proper bottom solder connection.

© Advanced Analogic Technologies, Inc.

AnalogicTech cannot assume responsibility for use of any circuitry other than circuitry entirely embodied in an AnalogicTech product. No circuit patent licenses, copyrights, mask work rights, or other intellectual property rights are implied. AnalogicTech reserves the right to make changes to their products or specifications or to discontinue any product or service without notice. Customers are advised to obtain the latest version of relevant information to verify, before placing orders, that information being relied on is current and complete. All products are sold subject to the terms and conditions of sale supplied at the time of order acknowledgement, including those pertaining to warranty, patent infringement, and limitation of liability. AnalogicTech warrants performance of its semiconductor products to the specifications applicable at the time of sale in accordance with AnalogicTech's standard warranty. Testing and other quality control techniques are utilized to the extent AnalogicTech deems necessary to support this warranty. Specific testing of all parameters of each device is not necessarily performed.

AnalogicTech and the AnalogicTech logo are trademarks of Advanced Analogic Technologies Incorporated. All other brand and product names appearing in this document are registered trademarks or trademarks of their respective holders.

**Advanced Analogic Technologies, Inc.**  
 830 E. Arques Avenue, Sunnyvale, CA 94085  
 Phone (408) 737-4600  
 Fax (408) 737-4611