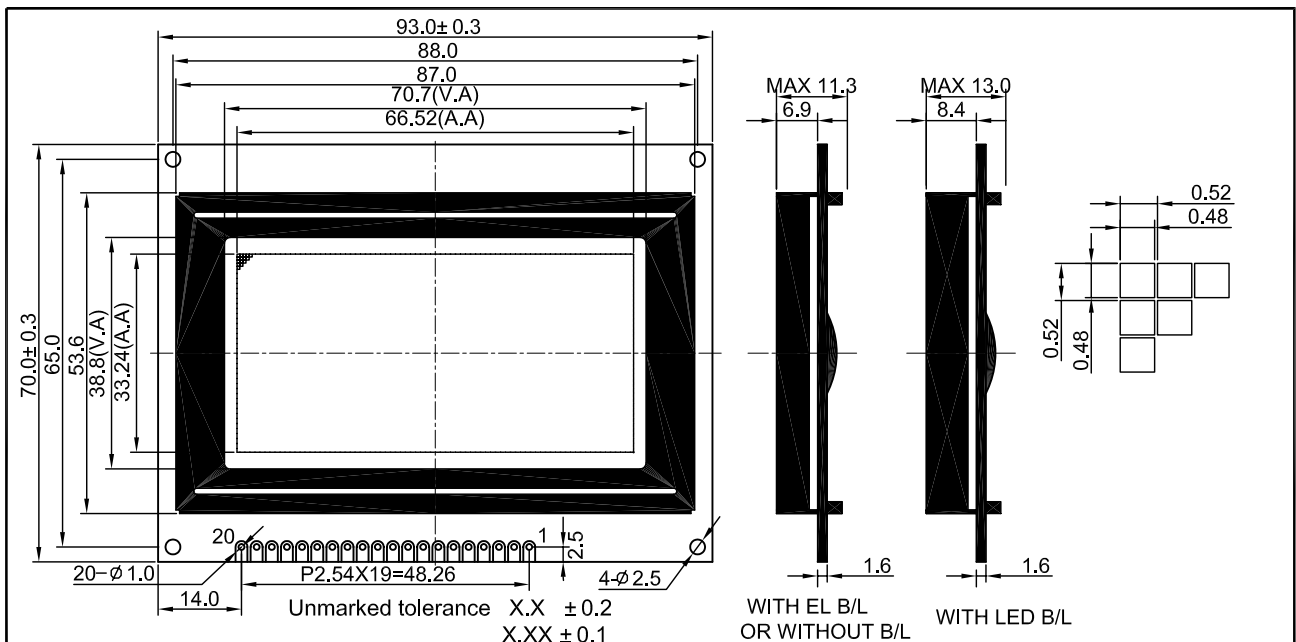


# AV-DISPLAY

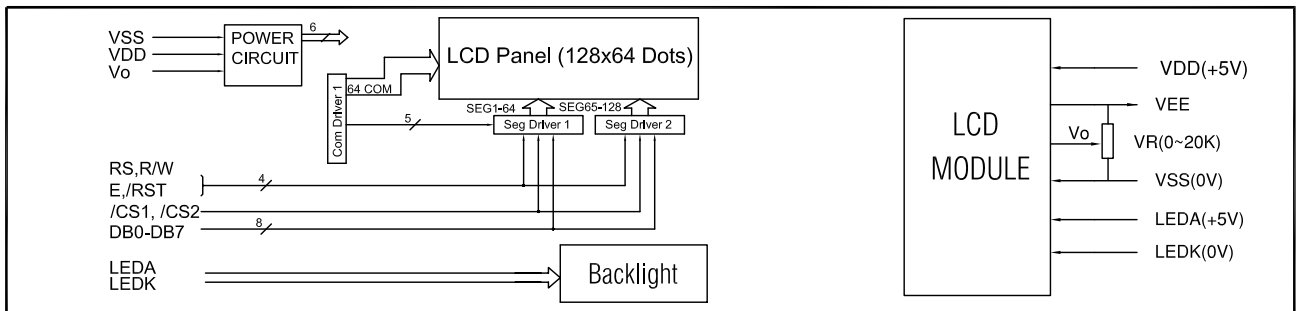
# ABG128064A Series

128x64 DOTS  
1/64 DUTY, 1/9 BIAS

## OUTLINE DIMENSIONS



## BLOCK DIAGRAM & POWER SUPPLY



## MECHANICAL SPECIFICATIONS & FEATURE

Item	Normal Dimensions(mm)	FEATURE	
Module Size (W*H*T)	93.0x70.0x11.3/13.0MAX	LCD Type	STN, FSTN
View Area (W*H)	70.7x38.8	LCD Colour	STN:Yellow-Green, Gray FSTN:Gray
DotsxDots(W*H)	128x64	View Angle	6 O'clock, 12 O'clock
Dot Pitch (W*H)	0.52x0.52	Display Type	Positive Type, Negative Type
Dot Size (W*H)	0.48x0.48	Rear polarizer	Transmissive, Reflective, Transflective
---	---	Operating Temperature	0°C ~ 50°C, -20°C ~ 70°C
---	---	Backlight	LED:Yellow EL:Green, Blue-Green, Blue Without

## ELECTRICAL CHARACTERISTICS

Item	Symbol	Test Condition	Min.	Typ.	Max.	Unit
Operating Voltage	Vdd	Ta=25°C	---	5.0	---	V
Operating Voltage for LCD	Vlcd	Ta=25°C	---	8.0	---	V
Supply Current	Idd	Ta=25°C, Vdd=5.0V	---	2.0	3.0	mA
Supply Current for Backlight(LED)	If	Ta=25°C, Vf=4.3V	---	150	---	mA

## INTERFACE PIN CONNECTIONS

Pin No	Symbol	Level	Description
1	VSS	--	Ground for Logic
2	VDD	--	Power supply for Logic
3	Vo	--	Power supply for LCD drive
4	RS	H/L	Register selection (H:Data register, L:Instruction register)
5	R/W	H/L	Read/write selection (H:Read, L:Write)
6	E	H/H—L	Enable signal for LCM
7-14	DB0-DB7	H/L	Data Bus lines
15	/CS1	*H/L(option:H L)	Chip Select Signal for Left Half of the panel
16	/CS2	*H/L(option:H L)	Chip Select Signal for Right Half of the panel
17	/RST	L	Reset signal
18	VEE	--	Negative voltage output
19	LEDA	--	Power supply for Backlight(+)
20	LEDK	--	Power supply for Backlight(-)

## REMARK

Negative type LCD colour: Blue  
Old No:HY-12864K Series