

CERAMIC SMD MICRO MINIATURE MICROPROCESSOR CRYSTAL



6.0 x 3.3 x 1.2mm

ABM7

Pb in Glass
(exempt per RoHS 2002/95/EC Annex (5))

RoHS
Compliant

FEATURES:

- Low in height (1.3 mm max.)
- Ceramic package assures high reliability
- Small size SMD, suitable for high density applications
- Superior heat-resistant glass sealing

APPLICATIONS:

- Computers, Modems, Communication equipment
- Thin equipment

STANDARD SPECIFICATIONS:

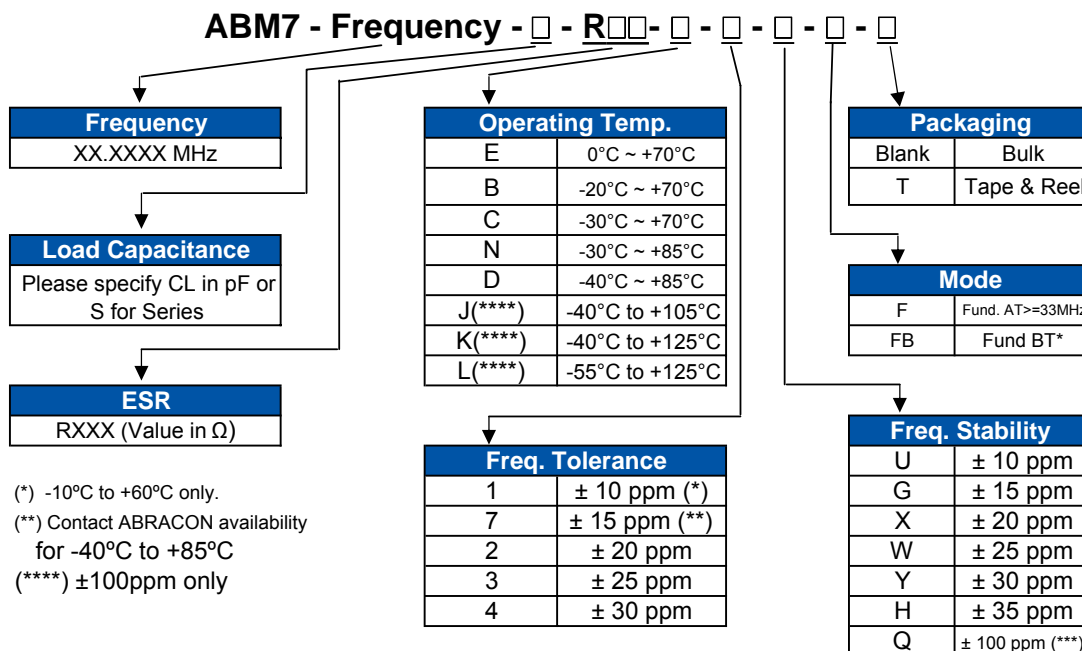
PARAMETERS	
ABRACON P/N	ABM7 Series
Frequency Range	10.00 MHz - 50.00 MHz (*)
Operation Mode	Fundamental AT
Operating Temperature	-10°C to + 60°C (see options)
Storage Temperature	- 40°C to + 85°C
Frequency Tolerance at +25°C	± 50 ppm max. (see options)
Frequency Stability over the Operating Temp. (Ref to +25°C)	± 50 ppm max. (see options)
Equivalent Series Resistance	See Table 1
Shunt Capacitance C_0	7pF max.
Load Capacitance C_L	18pF (see options)
Drive Level	100 μ W max., 10 μ W correlation
Aging at 25°C First Year	± 5ppm max.
Insulation Resistance	500 MW min. with 100Vdc

TABLE 1

Frequency (MHz)	ESR (Ω)
10.000 - 15.999	60
16.000 - 50.000	50

(*) Frequency above 40MHz based on availability. Please contact ABRACON

OPTIONS AND PART IDENTIFICATION (Left blank if standard):



CERAMIC SMD MICRO MINIATURE MICROPROCESSOR CRYSTAL



ABM7

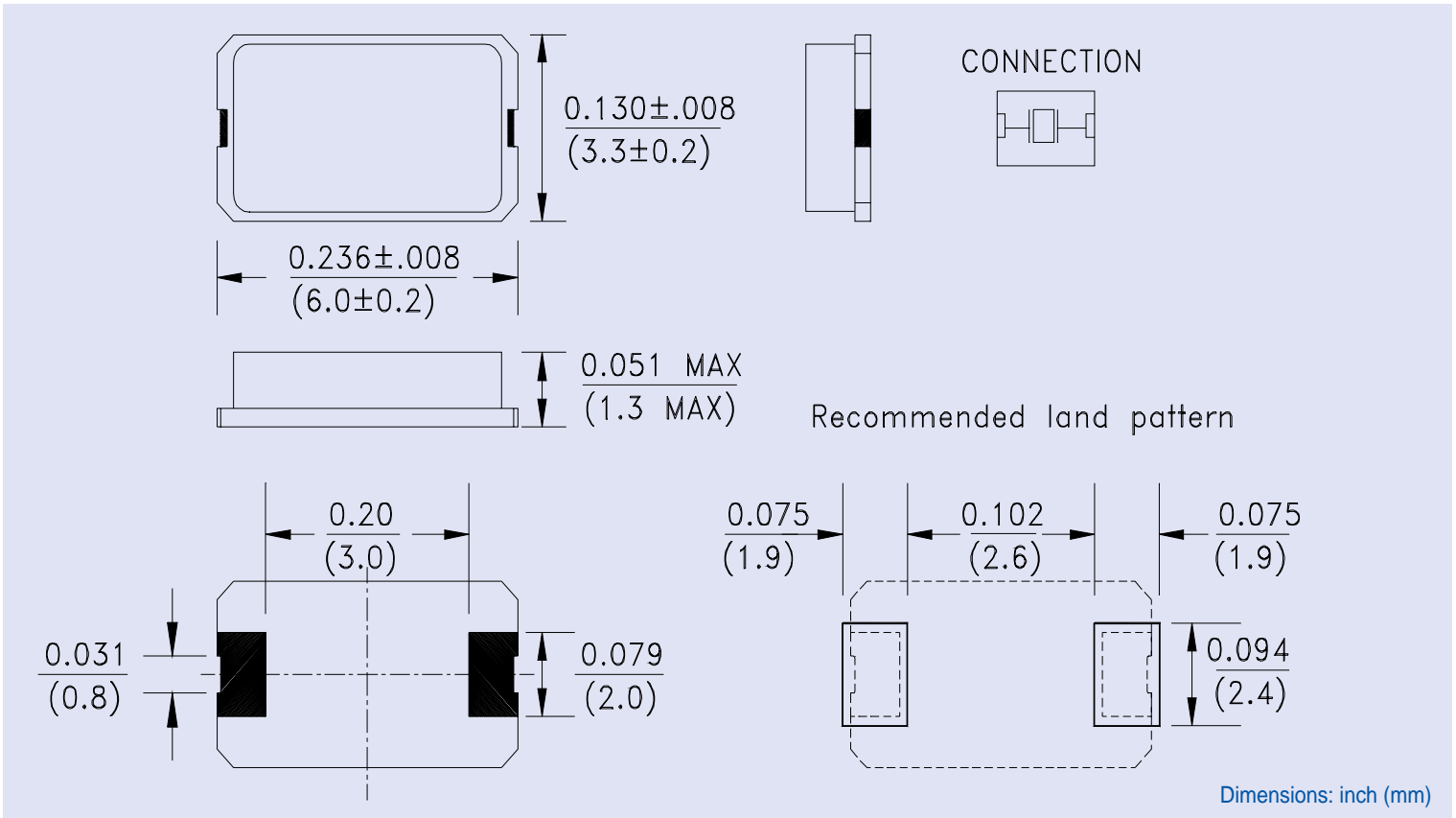
6.0 x 3.3 x 1.2mm

ABM7

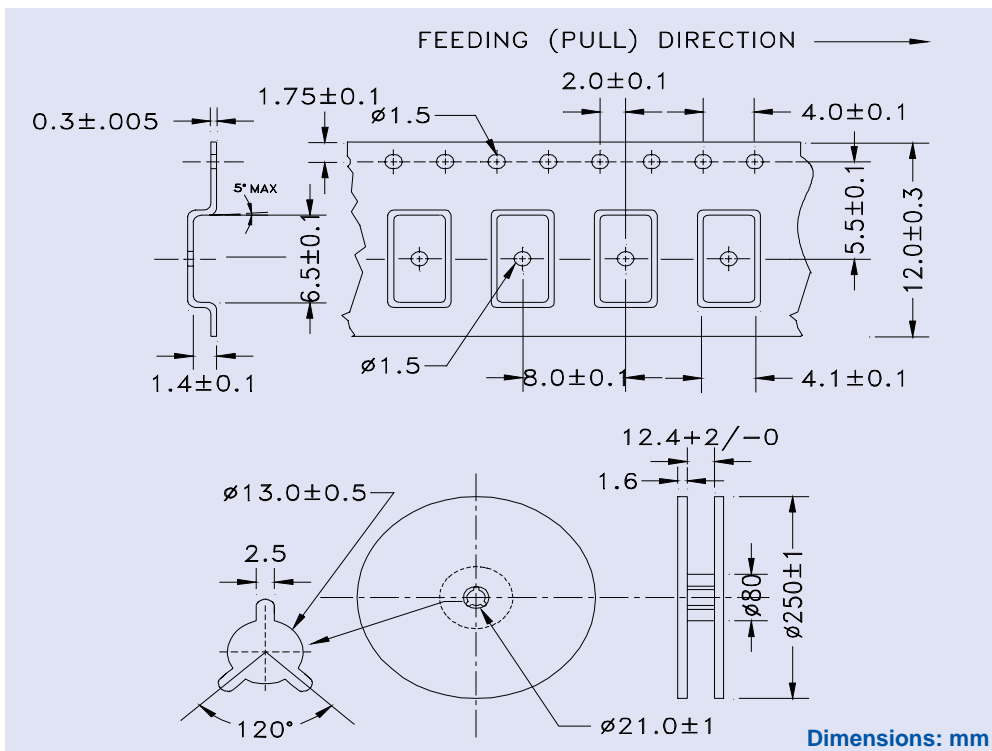
Pb in Glass
(exempt per RoHS 2002/95/EC Annex (5))

RoHS
Compliant

OUTLINE DRAWING:



TAPE & REEL: Tape and reel 1,000pcs/reel



ABRACON IS
ISO 9001 / QS 9000
CERTIFIED



Visit www.abracon.com for Terms & Conditions of Sale **Revised: 08.20.07**

30332 Esperanza, Rancho Santa Margarita, California 92688

tel 949-546-8000 | fax 949-546-8001 | www.abracon.com