



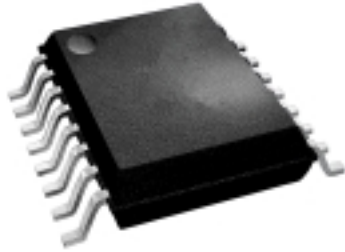
# ACA2401S7

750/870 MHz Power Doubler CATV  
Line Amplifier MMIC

Advanced Product Information - Rev 3

## FEATURES

- 21.5 dB Gain
- Very Low Distortion
- Excellent Input/Output Match
- Low DC Power Consumption
- Good RF Stability with high VSWR Load Conditions
- Surface Mount Package
- Package Fully Automatic Assembly Compatible
- Low Cost
- Repeatability of Monolithic Fabrication
- Meets Cenelec Standard



**S7**  
**16 Pin Plastic Pin Package**

## Description

The ACA2401 surface mount monolithic GaAs RF Linear Amplifier has been developed to replace, in new designs, the standard CATV Hybrid amplifiers currently in use. The MMIC consists of two pair of parallel amplifiers. The Amplifiers are optimized for exceptionally low distortion and noise figure while providing flat gain and excellent input and output return loss. A Hybrid equivalent is formed when one ACA2401 is cascaded between two transmission line baluns.

## Absolute Maximum Ratings

PARAMETER	MIN	MAX	UNITS
$V_{DD}/V_{RFOUT}$	0	28	VDC
$RF_{IN}$	-	+70	dBmV
Storage Temperature	-65	+150	° C
Soldering Temperature	-	+260	° C
Soldering Time	-	5.0	Sec
Thermal Resistance	-	3.8	° C/W
Operating Temperature	-40	110	° C

The ACA2401 is designed as an output stage and is specified at +44 dBmV flat output.

**Electrical Specifications (TA=+25°C, VDD=24V, test circuit shown in fig.1)**

PARAMETER	ACA2401		
	MIN	TYP	MAX
Bandwidth <sup>1</sup>	40	-	870
Gain @870 MHz <sup>1</sup>	-	21.5	-
Cable Equivalent Slope <sup>1</sup>	-	0.5	-
Gain Flatness <sup>1</sup>	-	± 0.2	-
Noise Figure <sup>1</sup>	-	4.5	-
CTB <sup>1,2</sup> 77 Channels 110 Channels 128 Channels	-	-72 -70 -68	-
CSO <sup>1,2</sup> 77 Channels 110 Channels 128 Channels	-	-72 -72 -70	-
XMOD <sup>1,2</sup> 77 Channels 110 Channels 128 Channels	-	-71 -68 -66	-
Supply Current	-	390	-
Return Loss (Input/Output) <sup>2</sup>	18	22	-

**Notes:**

1. Measured with a balun on input and output of the device. See Figure 1 for test setup.
2. Parts measured with 110 channel flat output @ +44 dBmV/channel.

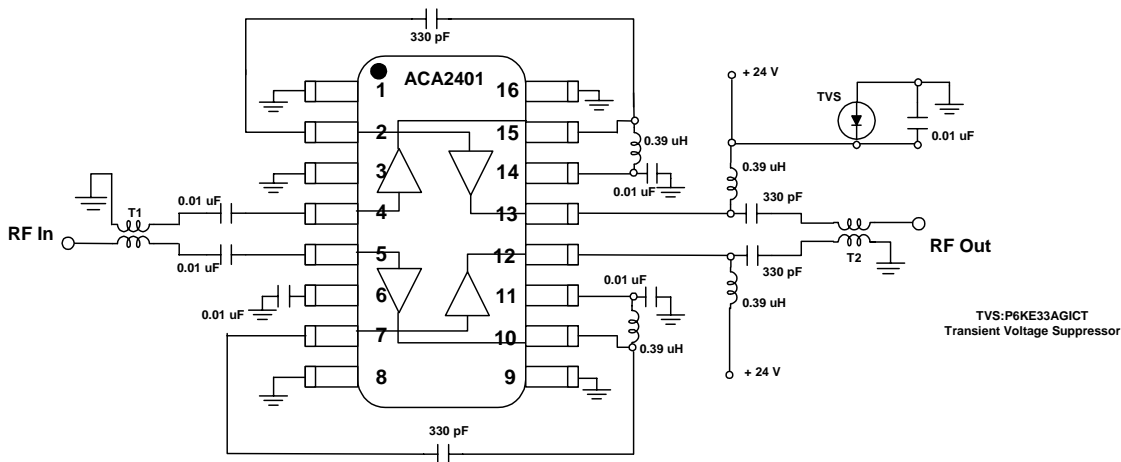
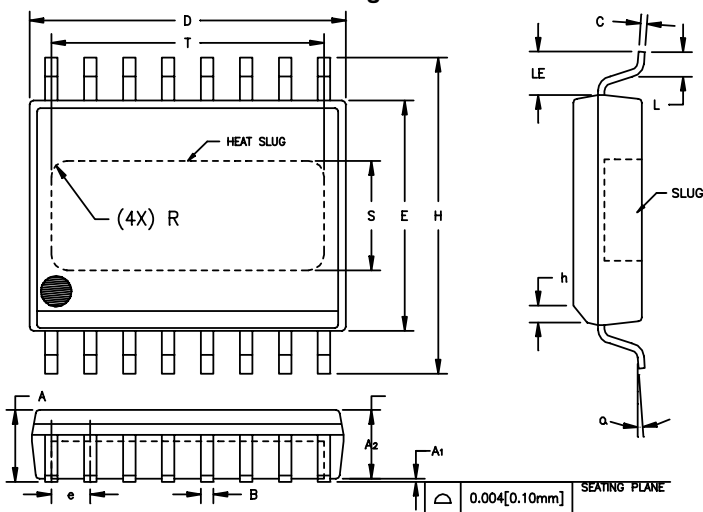


Figure 1: Test Circuit for ACA2401

Package Outline



	INCHES		MILLIMETERS		NOTE
	MIN.	MAX.	MIN.	MAX.	
A	0.087	0.098	2.21	2.49	
A <sub>1</sub>	0.000	0.004	0.00	0.10	6
A <sub>2</sub>	0.087	0.094	2.21	2.39	
B	0.013	0.019	0.33	0.48	
C	0.007	0.009	0.18	0.23	
D	0.398	0.412	10.11	10.46	2
E	0.290	0.300	7.37	7.62	3
e	0.050	BSC	1.27	BSC	4
H	0.394	0.418	10.01	10.62	
h	0.010	0.028	0.25	0.71	
L	0.024	0.040	0.61	1.02	
LE	0.052	—	1.32	—	
a	0"	8"	0"	8"	
S	0.120	0.140	3.05	3.56	5
T	0.330	0.350	8.38	8.89	5
R	REF. 0.015	REF.	0.38	5	

NOTES:

1. CONTROLLING DIMENSION: INCHES
2. DIMENSION "D" DOES NOT INCLUDE MOLD FLASH, PROTRUSIONS OR GATE BURRS. MOLD FLASH, PROTRUSIONS AND GATE BURRS SHALL NOT EXCEED 0.006 [0.15mm] PER SIDE.
3. DIMENSION "E" DOES NOT INCLUDE INTER-LEAD FLASH OR PROTRUSIONS. INTER-LEAD FLASH AND PROTRUSIONS SHALL NOT EXCEED 0.010 [0.25mm] PER SIDE.
4. MAXIMUM LEAD TWIST/SKEW TO BE ±0.005 [0.13mm].
5. DIMENSIONS "S", "T" AND "R" INDICATE EXPOSED SLUG AREA.
6. STANDOFF HEIGHT (A<sub>1</sub>) MEASURED FROM BOTTOM OF SLUG.



**ANADIGICS, Inc.**  
35 Technology Drive  
Warren, New Jersey 07059  
Tel: (908) 668-5000  
Fax: (908) 668-5132

<http://www.anadigics.com>  
[Mktg@anadigics.com](mailto:Mktg@anadigics.com)

#### **IMPORTANT NOTICE**

ANADIGICS, Inc. reserves the right to make changes to its products or discontinue any product at any time without notice. The Advanced Product data sheets and product specifications contained in this data sheet are subject to change prior to a products formal introduction. The information in this data sheet has been carefully checked and is assumed to be reliable. However, ANADIGICS assumes no responsibility for inaccuracies. ANADIGICS strongly urges customers to verify that the information they are using is current before placing orders.

#### **WARNING**

ANADIGICS products are not intended for use in life support appliances, devices, or systems. Use of an ANADIGICS product in any such application without written consent is prohibited.