



# SKYWORKS®

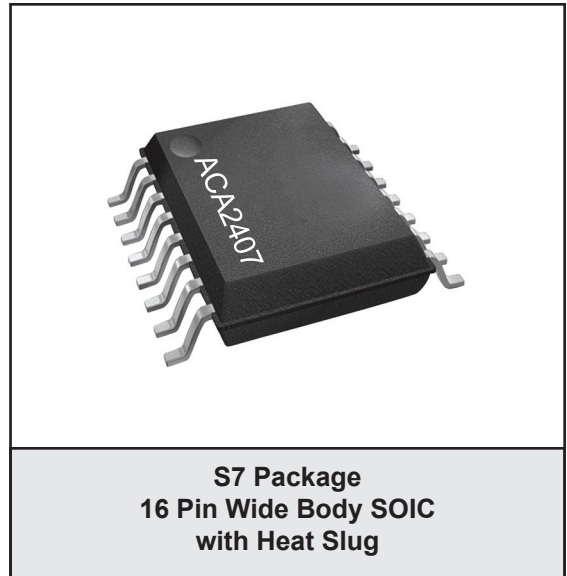
## ACA2407E 750/870 MHz CATV Power Doubler Line Amplifier Data Sheet

### FEATURES

- 21.3 dB Gain
- Very Low Distortion
- Excellent 75  $\Omega$  Input and Output Match
- Stable with High VSWR Load Conditions
- Monolithic Design for Consistent Performance Part-to-Part
- Low DC Power Consumption
- Surface Mount Package Compatible with Automatic Assembly
- Low Cost Alternative to Hybrids
- Meets Cenelec Standards
- Materials set consistent with RoHS Directives.

### APPLICATIONS

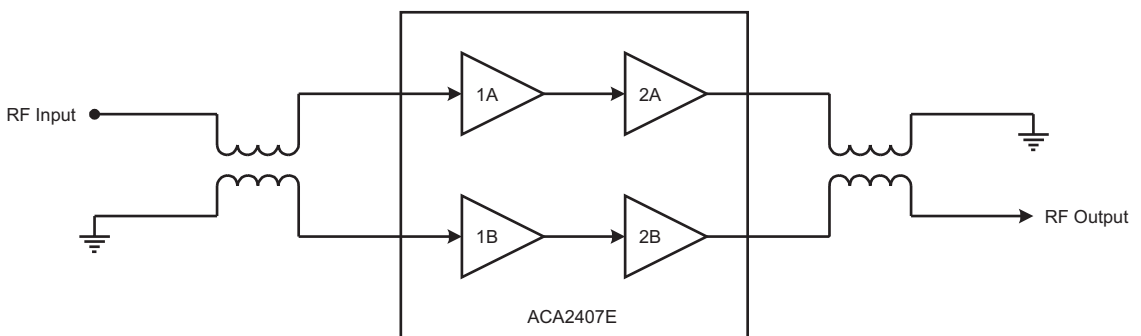
- CATV Line Amplifiers, System Amplifiers, Distribution Nodes



### PRODUCT DESCRIPTION

The ACA2407E is a highly linear, monolithic GaAs RF amplifier that has been developed to replace, in new designs, standard CATV hybrid amplifiers. Offered in a convenient surface mount package, the MMIC consists of two pairs of parallel amplifiers that are optimized for exceptionally low distortion and

noise figure. A hybrid equivalent that provides flat gain response and excellent input and output return loss over the 40 to 870 MHz CATV downstream band is formed when one ACA2407E is cascaded between two appropriate transmission line baluns.



**Figure 1: Hybrid Application Diagram**

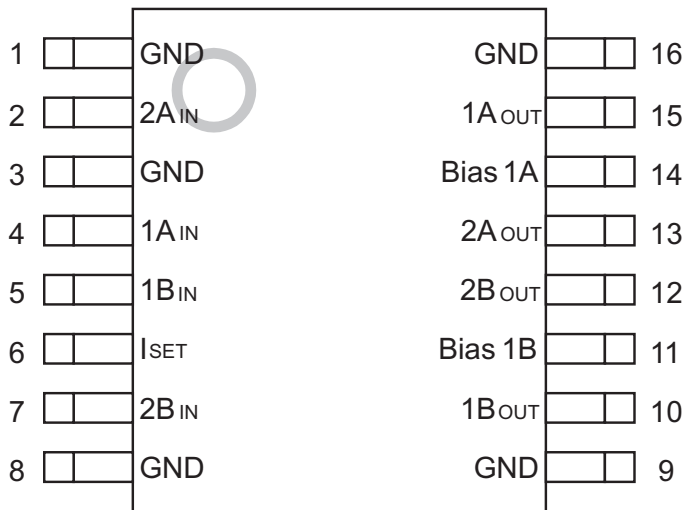


Figure 2: Pinout

Table 1: Pin Description

PIN	NAME	DESCRIPTION	PIN	NAME	DESCRIPTION
1	GND	Ground	9	GND	Ground
2	2A <sub>IN</sub>	Amplifier 2A Input	10	1B <sub>OUT</sub>	Amplifier 1B Output
3	GND	Ground	11	Bias 1B	Bias for 1B Amplifier
4	1A <sub>IN</sub>	Amplifier 1A Input	12	2B <sub>OUT</sub>	Amplifier 2B Output and Supply
5	1B <sub>IN</sub>	Amplifier 1B Input	13	2A <sub>OUT</sub>	Amplifier 2A Output and Supply
6	I <sub>SET</sub>	Current Adjust	14	Bias 1A	Bias for 1A Amplifier
7	2B <sub>IN</sub>	Amplifier 2B Input	15	1A <sub>OUT</sub>	Amplifier 1A Output
8	GND	Ground	16	GND	Ground

## ELECTRICAL CHARACTERISTICS

Table 2: Absolute Minimum and Maximum Ratings

PARAMETER	MIN	MAX	UNIT
Supply (pins 12, 13)	0	+28	VDC
RF Power at Inputs (pins 4, 5)	-	+75	dBmV
Storage Temperature	-65	+150	°C
Soldering Temperature	-	+260	°C
Soldering Time	-	5.0	Sec

Stresses in excess of the absolute ratings may cause permanent damage. Functional operation is not implied under these conditions. Exposure to absolute ratings for extended periods of time may adversely affect reliability.

Notes:

- (1) Pins 2, 4, 5 and 7 should be AC-coupled. No external DC bias should be applied.
- (2) Pin 6 should be AC-grounded and/or pulled to ground through a resistor for current control.
- (3) Pins 11 and 14 are bias feeds for input amplifiers 1A and 1B. No external DC bias should be applied.
- (4) Pins 10 and 15 receive DC bias directly from pins 11 and 14.

Table 3: Operating Ranges

PARAMETER	MIN	TYP	MAX	UNIT
Supply: $V_{DD}$ (pins 12, 13)	-	+24	-	VDC
Voltage at $I_{SET}$ (pin 6)	-	+3	-	VDC
RF Frequency	40	-	1000	MHz
Case Temperature	-40	-	+110	°C

The device may be operated safely over these conditions; however, parametric performance is guaranteed only over the conditions defined in the electrical specifications.

**Table 4: Electrical Specifications**  
(T<sub>A</sub> = +25 °C, V<sub>DD</sub> = +24 VDC)

PARAMETER	MIN	TYP	MAX	UNIT	COMMENTS
Gain <sup>(1)</sup>	20.4 -	21.3 21.1	22.4 -	dB dB	870 MHz 1000 MHz
Cable Equivalent Slope <sup>(1)</sup>	-	0	-	dB	
Gain Flatness <sup>(1)</sup> to 870 MHz	-	± 0.2	-	dB	
Noise Figure <sup>(1)</sup>	-	4.0	4.5	dB	
CTB <sup>(1)</sup> 77 Channels <sup>(2)</sup> 110 Channels <sup>(3)</sup> 112 Channels plus QAM to 1 GHZ <sup>(5), (6)</sup>	- - -	-70 -65 -65	-66 - -	 dBc	
CSO <sup>(1)</sup> 77 Channels <sup>(2)</sup> 110 Channels <sup>(3)</sup> 112 Channels plus QAM to 1 GHZ <sup>(5), (6)</sup>	- - -	-66 -60 -60	-64 - -	 dBc	
XMOD <sup>(1)</sup> 77 Channels <sup>(2)</sup> 110 Channels <sup>(3)</sup> 112 Channels plus QAM to 1 GHZ <sup>(5), (6)</sup>	- - -	-62 -60 -60	-60 - -	 dBc	
Return Loss (Input/Output) <sup>(1)</sup>	18	22	-	dB	75 Ω system
Supply Current (I <sub>DD</sub> )	410	425	440	mA	R1 = 75 kΩ, R3 open Refer to Figure 8
Thermal Resistance	-	3.1	3.8	°C/W	
I <sub>DD</sub> Adjust	-	<1	-	mA	Refer to Figure 8

## Notes:

- (1) Measured with baluns on the input and output of the device.  
(2) Parts measured with 77 channels, +56 dBm V power, 13.5 dB tilt at 870 MHz.  
(3) Parts measured with 110 channels, +52 dBm V power, 13.5 dB tilt at 870 MHz.  
(4) All specifications as measured on Evaluation Board (see Figures 7 & 8).  
(5) 112 analog channels plus QAM, +51 dBmV, 15.6 dB tilt at 1 GHz.  
(6) QAM is set 6 dB below analog carrier.

**Table 5: Electrical Specifications at Reduced I<sub>DD</sub>**  
**(T<sub>A</sub> = +25 °C, V<sub>DD</sub> = +24 VDC)**

PARAMETER	TYP	TYP	UNIT	COMMENTS
Gain	21.0	21.2	dB	
CTB <sup>(1)</sup> 77 Channels <sup>(2)</sup>	-58	-64	dBc	
CSO <sup>(1)</sup> 77 Channels <sup>(2)</sup>	-60	-62	dBc	
XMOD <sup>(1)</sup> 77 Channels <sup>(2)</sup>	-50	-55	dBc	
Supply Current (I <sub>DD</sub> )	360	390	mA	
R1 (Figure 8)	Open	Open	<input type="checkbox"/>	
R3 (Figure 8)	10 k	Open	<input type="checkbox"/>	

Notes:

(1) Measured with baluns on the input and output of the device.

(2) Parts measured with 77 channels, +56 dBm V power, 13.5 dB tilt at 870 MHz.

PERFORMANCE DATA

Figure 3: Noise Figure vs. Frequency

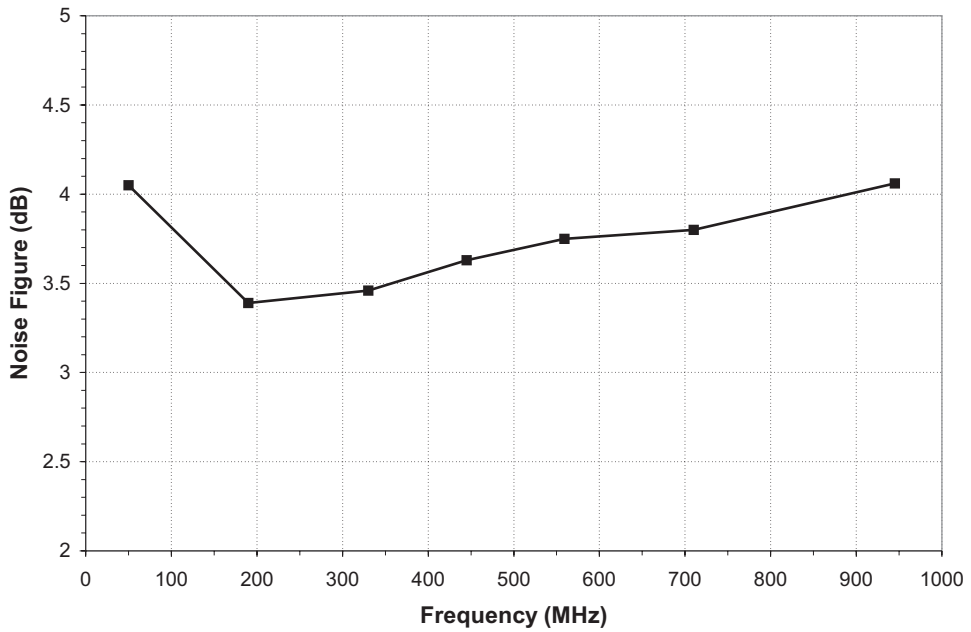


Figure 4: Gain (S21) vs. Frequency

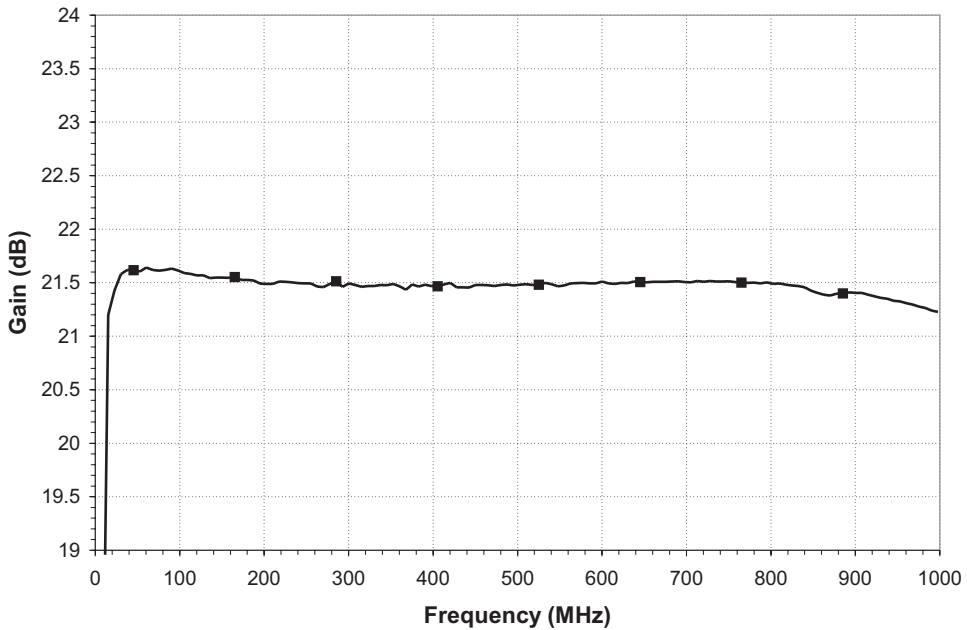


Figure 5: Input and Output Return Loss (S11 and S22) vs. Frequency

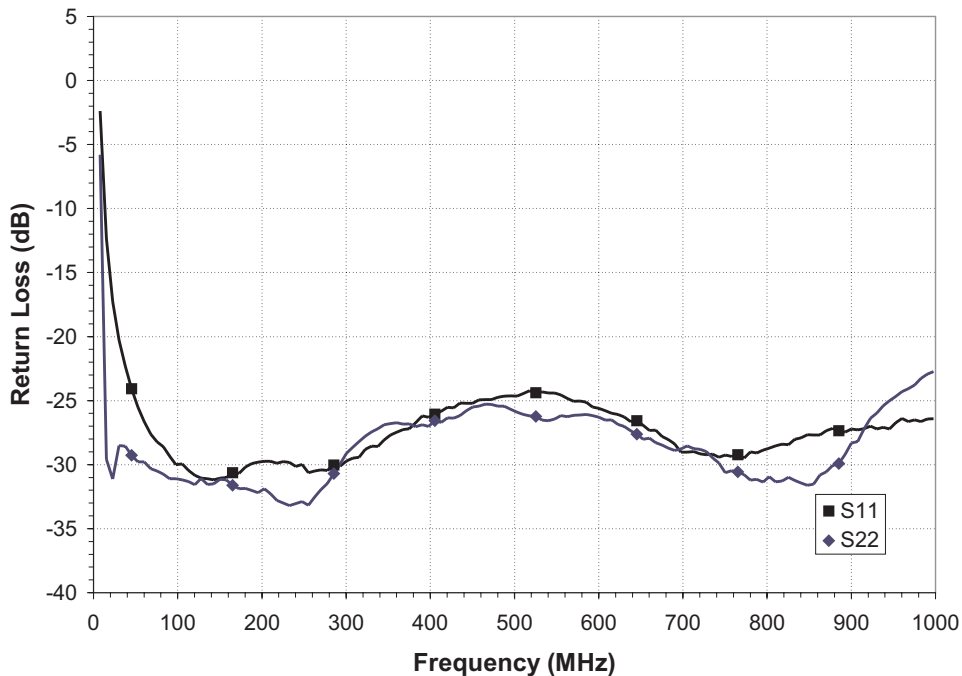
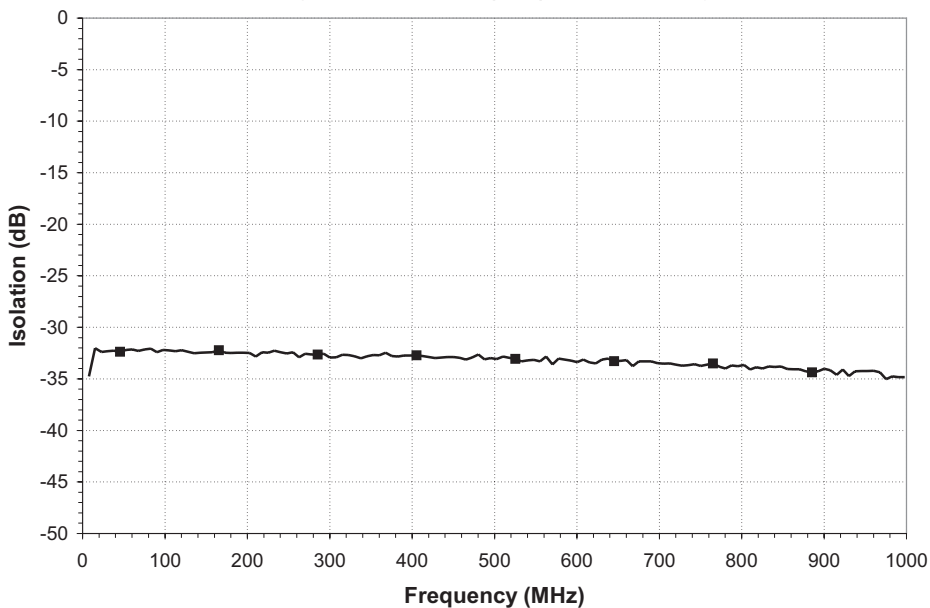


Figure 6: Isolation (S12) vs. Frequency



APPLICATION INFORMATION

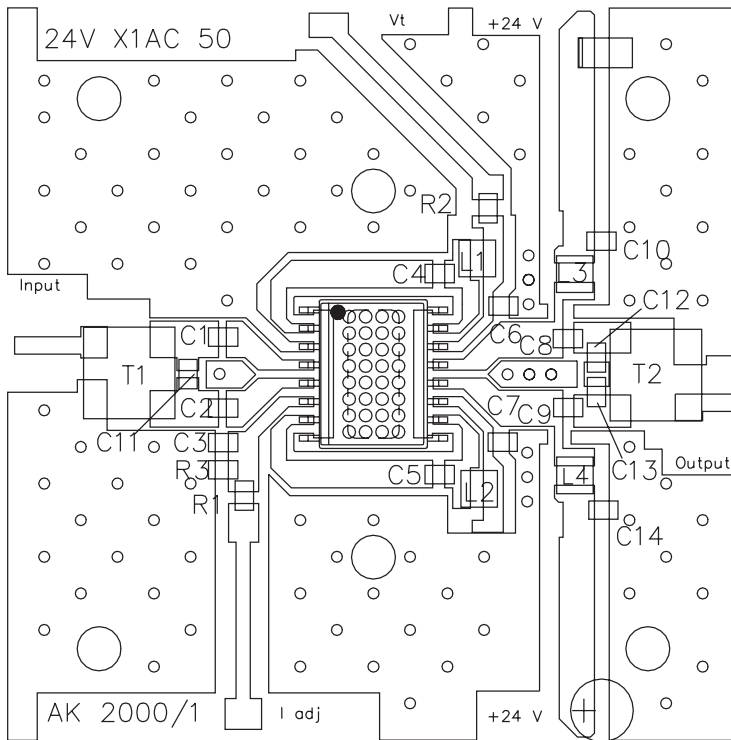


Figure 7: Evaluation Board Layout

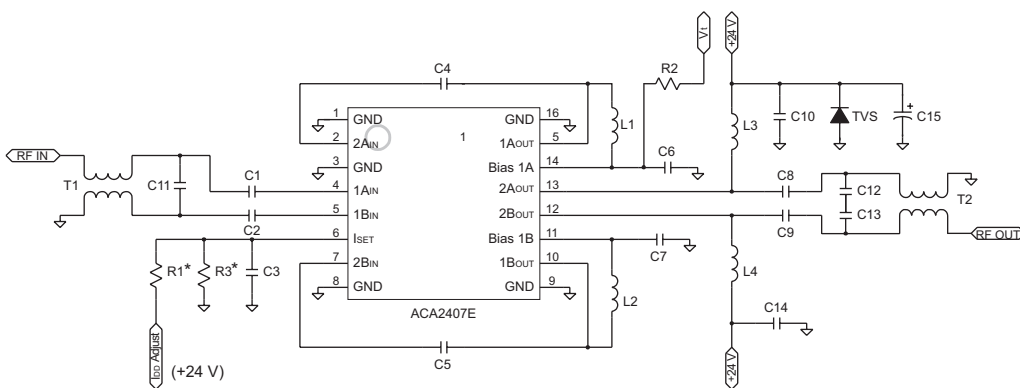


Figure 8: Evaluation Board Schematic

\* Refer to Table 5 for R1, R3 use at lower  $I_{DD}$  operation.



Table 6: Evaluation Board Parts List

REF	DESCRIPTION	QTY	VENDOR	VENDOR PART NO.
C1, C2, C3, C6, C7, C10, C14	0.01 $\mu$ F Chip Cap	7	MURATA	GRM39X7R103K50V
C4, C5, C8, C9	470 pF Chip Cap	4	MURATA	GRM39X7R471K50V
C11	0.5 pF Chip Cap	1	MURATA	GRM36COG0R5C50
C15	47 $\mu$ F Elect. Cap	1	DIG-KEY CORP	P5275-ND
C12, C13, R2	Not Used			
TVS	TVS 24 Volt 600 Watt	1	DIG-KEY CORP	SMBJ24ACCCT-ND
L1, L2, L3, L4 <sup>(4)</sup>	680 nH Inductor	4	COILCRAFT	1008CS-681XKBC
R1 <sup>(5)</sup>	75 k $\Omega$ Resistor	1	DIG-KEY CORP	P75KGCT-ND
R3 <sup>(5)</sup>	10 k $\Omega$ Resistor	1	DIG-KEY CORP	P10KGCT-ND
CONNECTOR <sup>(1)</sup>	75 $\Omega$ N Male Panel Mount	2	PASTERNAK ENTERPRISES	PE4504
T1, T2 <sup>(2)</sup> (BALUN)	Ferrite Core	2	FAIR-RITE	2843002702
	Wire		MWS WIRE IND.	T-2361429-20
	Printed Circuit Board <sup>(3)</sup>	1	STANDARD PRINTED CIRC. INC	24VX1AC50
INDIUM	300 X 160 Mils	1	INDIUM CORP OF AMERICA	14996Y

## Notes:

(1) N connector center pin should be approximately 80 mils in length.

(2) T1, T2 balun: 6.5 turns thru, as shown in Figure 9.

(3) Due to the power dissipation of this device, the printed circuit board should be mounted / attached to a heat sink.

(4) 400 mA minimum current rating.

(5) Refer to Table 5 for R1, R3 use at lower  $I_{BD}$  operation.

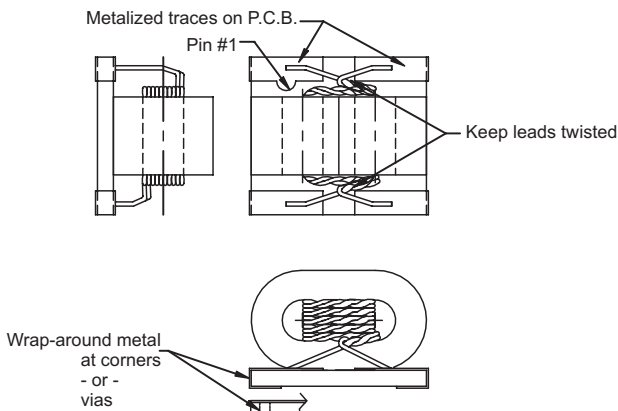
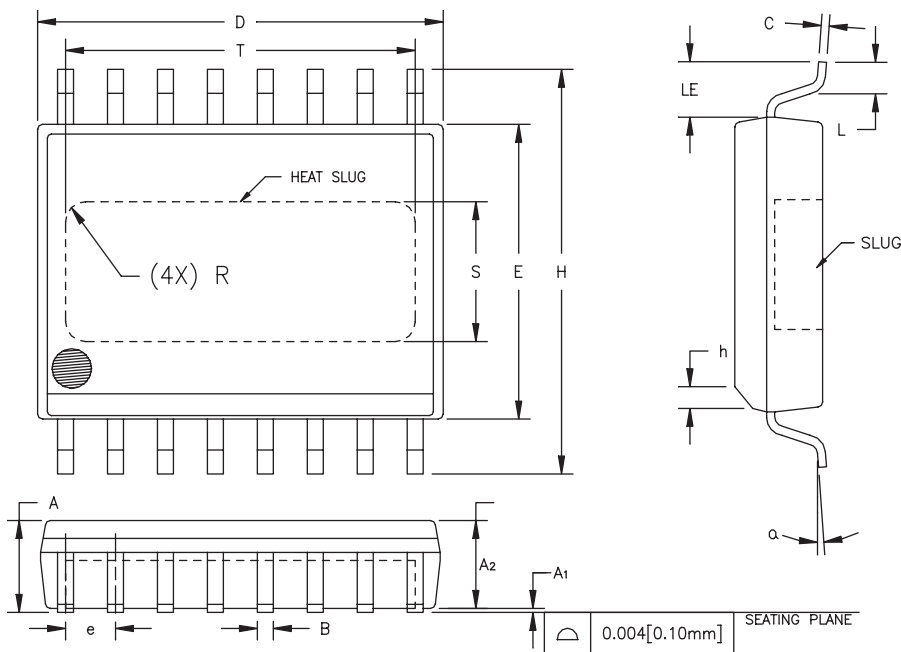


Figure 9: Balun Drawing

PACKAGE OUTLINE



S <sub>v</sub> M <sub>Bo</sub>	INCHES		MILLIMETERS		NOTE
	MIN.	MAX.	MIN.	MAX.	
A	0.087	0.098	2.21	2.49	
A <sub>1</sub>	0.000	0.004	0.00	0.10	6
A <sub>2</sub>	0.087	0.094	2.21	2.39	
B	0.013	0.019	0.33	0.48	
C	0.007	0.009	0.18	0.23	
D	0.398	0.412	10.11	10.46	2
E	0.290	0.300	7.37	7.62	3
e	0.050	BSC	1.27	BSC	4
H	0.394	0.418	10.01	10.62	
h	0.010	0.028	0.25	0.71	
L	0.024	0.040	0.61	1.02	
LE	0.052	—	1.32	—	
a	0°	8°	0°	8°	
S	0.120	0.140	3.05	3.56	5
T	0.330	0.350	8.38	8.89	5
R	REF.	0.015	REF.	0.38	5

NOTES:

1. CONTROLLING DIMENSION: INCHES
2. DIMENSION "D" DOES NOT INCLUDE MOLD FLASH, PROTRUSIONS OR GATE BURRS. MOLD FLASH, PROTRUSIONS AND GATE BURRS SHALL NOT EXCEED 0.006 [0.15mm] PER SIDE.
3. DIMENSION "E" DOES NOT INCLUDE INTER-LEAD FLASH OR PROTRUSIONS. INTER-LEAD FLASH AND PROTRUSIONS SHALL NOT EXCEED 0.010 [0.25mm] PER SIDE.
4. MAXIMUM LEAD TWIST/SKEW TO BE ±0.005 [0.13mm].
5. DIMENSIONS "S", "T" AND "R" INDICATE EXPOSED SLUG AREA.
6. STANDOFF HEIGHT (A<sub>1</sub>) MEASURED FROM BOTTOM OF SLUG.

Figure 10: S7 Package Outline - 16 Pin Wide Body SOIC with Heat Slug

## ORDERING INFORMATION

ORDER NUMBER	TEMPERATURE RANGE	PACKAGE DESCRIPTION	COMPONENT PACKAGING
ACA2407ERS7P2	-40 °C to +110 °C	RoHS Compliant 16 Pin Wide Body SOIC with Heat Slug	3,500 piece tape and reel
ACA2407ERS7P0	-40 °C to +110 °C	RoHS Compliant 16 Pin Wide Body SOIC with Heat Slug	Ship in Tubes

---

Copyright © 2016 Skyworks Solutions, Inc. All Rights Reserved.

Information in this document is provided in connection with Skyworks Solutions, Inc. ("Skyworks") products or services. These materials, including the information contained herein, are provided by Skyworks as a service to its customers and may be used for informational purposes only by the customer. Skyworks assumes no responsibility for errors or omissions in these materials or the information contained herein. Skyworks may change its documentation, products, services, specifications or product descriptions at any time, without notice. Skyworks makes no commitment to update the materials or information and shall have no responsibility whatsoever for conflicts, incompatibilities, or other difficulties arising from any future changes.

No license, whether express, implied, by estoppel or otherwise, is granted to any intellectual property rights by this document. Skyworks assumes no liability for any materials, products or information provided hereunder, including the sale, distribution, reproduction or use of Skyworks products, information or materials, except as may be provided in Skyworks Terms and Conditions of Sale.

THE MATERIALS, PRODUCTS AND INFORMATION ARE PROVIDED "AS IS" WITHOUT WARRANTY OF ANY KIND, WHETHER EXPRESS, IMPLIED, STATUTORY, OR OTHERWISE, INCLUDING FITNESS FOR A PARTICULAR PURPOSE OR USE, MERCHANTABILITY, PERFORMANCE, QUALITY OR NON-INFRINGEMENT OF ANY INTELLECTUAL PROPERTY RIGHT; ALL SUCH WARRANTIES ARE HEREBY EXPRESSLY DISCLAIMED. SKYWORKS DOES NOT WARRANT THE ACCURACY OR COMPLETENESS OF THE INFORMATION, TEXT, GRAPHICS OR OTHER ITEMS CONTAINED WITHIN THESE MATERIALS. SKYWORKS SHALL NOT BE LIABLE FOR ANY DAMAGES, INCLUDING BUT NOT LIMITED TO ANY SPECIAL, INDIRECT, INCIDENTAL, STATUTORY, OR CONSEQUENTIAL DAMAGES, INCLUDING WITHOUT LIMITATION, LOST REVENUES OR LOST PROFITS THAT MAY RESULT FROM THE USE OF THE MATERIALS OR INFORMATION, WHETHER OR NOT THE RECIPIENT OF MATERIALS HAS BEEN ADVISED OF THE POSSIBILITY OF SUCH DAMAGE.

Skyworks products are not intended for use in medical, lifesaving or life-sustaining applications, or other equipment in which the failure of the Skyworks products could lead to personal injury, death, physical or environmental damage. Skyworks customers using or selling Skyworks products for use in such applications do so at their own risk and agree to fully indemnify Skyworks for any damages resulting from such improper use or sale.

Customers are responsible for their products and applications using Skyworks products, which may deviate from published specifications as a result of design defects, errors, or operation of products outside of published parameters or design specifications.

Customers should include design and operating safeguards to minimize these and other risks. Skyworks assumes no liability for applications assistance, customer product design, or damage to any equipment resulting from the use of Skyworks products outside of stated published specifications or parameters.

Skyworks and the Skyworks symbol are trademarks or registered trademarks of Skyworks Solutions, Inc., in the United States and other countries. Third-party brands and names are for identification purposes only, and are the property of their respective owners. Additional information, including relevant terms and conditions, posted at [www.skyworksinc.com](http://www.skyworksinc.com), are incorporated by reference.

**Skyworks Solutions, Inc.**

Phone [781] 376-3000 • Fax [781] 376-3100 • [sales@skyworksinc.com](mailto:sales@skyworksinc.com) • [www.skyworksinc.com](http://www.skyworksinc.com)

Skyworks Proprietary and Confidential information • Products and Product Information are Subject to Change Without Notice