



COMMON MODE CHOKES

ACM0407CI

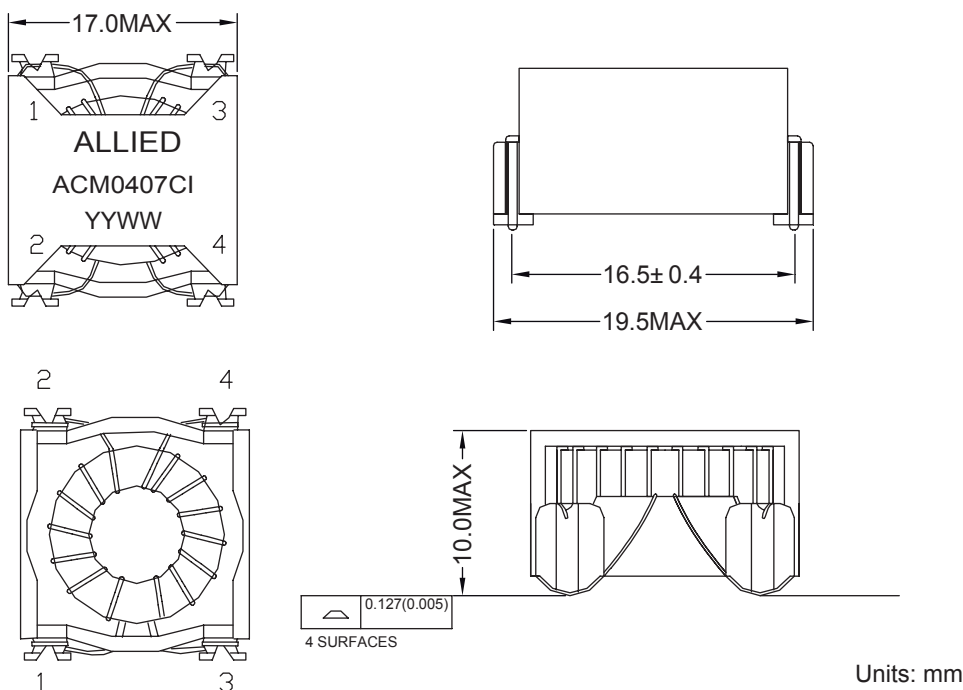
- Common mode choke for power application
- High Impedance to minimize common mode noise
- Excellent EMI performance
- Industrial temperature range: -40°C to +130°C



Electrical Specifications @25°C						
Part Number	OCL @10KHz/0.03V		Turns Ratio @10KHz/0.1V 1-2:3-4	DCR		HI-POT (Vrms)
	1-2	3-4		1-2	3-4	
ACM0407CI	1.32mH±25%	1.32mH±25%	1:1±2%	60mΩ MAX	60mΩ MAX	AC 1000V/1mA/2S

All specifications subject to change without notice.

MECHANICAL



SCHEMATICS

