

APPLICATIONS

- High Frequency Applications
- Regulated Power Supplies
- Capacitor Discharge
- Ultrasonic Generators
- Induction Heating

KEY PARAMETERS

V_{DRM}	1800V
$I_{T(AV)}$	380A
I_{TSM}	6000A
dV/dt	1000V/μs
di/dt	500A/μs
t_q	10.0μs

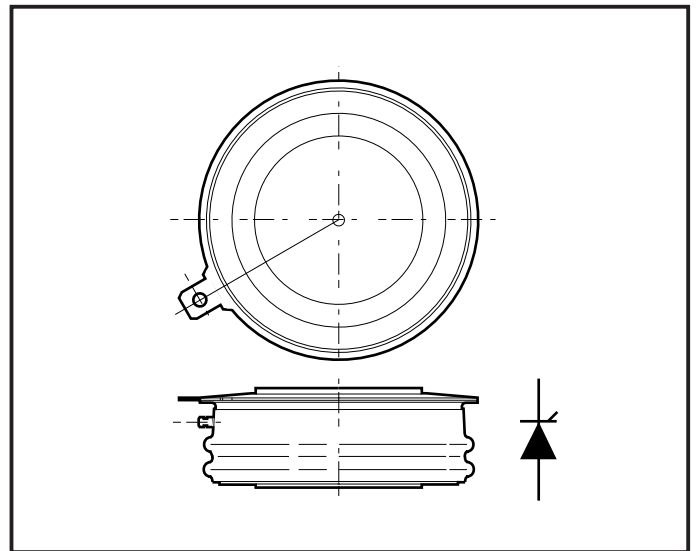
FEATURES

- The ACR400SE is an asymmetric thyristor which has exceptionally fast turn-off capabilities combined with good turn-on characteristics.

VOLTAGE RATINGS

Type Number	Repetitive Peak Off-state Voltage	Repetitive Peak Reverse Voltage
	V_{DRM} V	V_{RRM} V
ACR400SE18	1800	10
ACR400SE16	1600	10
ACR400SE14	1400	10
ACR400SE12	1200	10

Lower voltage grades available.



Outline type code: E.
See Package Details for further information.

CURRENT RATINGS

Symbol	Parameter	Conditions	Max.	Units
Double Side Cooled				
$I_{T(AV)}$	Mean on-state current	Half wave resistive load, $T_{case} = 80^{\circ}C$	380	A
$I_{T(RMS)}$	RMS value	$T_{case} = 80^{\circ}C$	600	A
I_T	Continuous (direct) on-state current	$T_{case} = 80^{\circ}C$	490	A
Single Side Cooled (Anode side)				
$I_{T(AV)}$	Mean on-state current	Half wave resistive load, $T_{case} = 80^{\circ}C$	240	A
$I_{T(RMS)}$	RMS value	$T_{case} = 80^{\circ}C$	380	A
I_T	Continuous (direct) on-state current	$T_{case} = 80^{\circ}C$	295	A

ACR400SE

SURGE RATINGS

Symbol	Parameter	Conditions	Max.	Units
I_{TSM}	Surge (non-repetitive) on-state current	10ms half sine; $T_{case} = 125^{\circ}C$	6.0	kA
I^2t	I^2t for fusing	$V_R = 0$	810×10^3	A ² s

THERMAL AND MECHANICAL DATA

Symbol	Parameter	Conditions	Min.	Max.	Units	
$R_{th(j-c)}$	Thermal resistance - junction to case	Double side cooled	dc	-	0.041	$^{\circ}C/W$
		Single side cooled	Anode dc	-	0.074	$^{\circ}C/W$
			Cathode dc	-	0.092	$^{\circ}C/W$
$R_{th(c-h)}$	Thermal resistance - case to heatsink	Clamping force 7.0kN with mounting compound	Double side	-	0.018	$^{\circ}C/W$
			Single side	-	0.036	$^{\circ}C/W$
T_{vj}	Virtual junction temperature	On-state (conducting)	-	135	$^{\circ}C$	
		Reverse (blocking)	-	125	$^{\circ}C$	
T_{stg}	Storage temperature range		-55	125	$^{\circ}C$	
-	Clamping force		6.0	8.0	kN	

DYNAMIC CHARACTERISTICS

Symbol	Parameter	Conditions	Min.	Max.	Units
V_{TM}	Maximum on-state voltage	At 1500A peak, $T_{case} = 25^{\circ}C$	-	3.25	V
I_{RRM}/I_{DRM}	Peak reverse and off-state current	At V_{RRM}/V_{DRM} , $T_{case} = 125^{\circ}C$	-	60	mA
dV/dt	Maximum linear rate of rise of off-state voltage	To V_{DRM} $T_j = 125^{\circ}C$, Gate open circuit	-	1000	V/ μ s
dI/dt	Rate of rise of on-state current	From V_{DRM} to 125A Gate source 15V, 15 Ω $t_r = 50$ ns.	-	500	A/ μ s
$V_{T(To)}$	Threshold voltage	At $T_{vj} = 125^{\circ}C$	-	1.8	V
r_T	On-state slope resistance	At $T_{vj} = 125^{\circ}C$	-	0.9	m Ω
I_L	Latching current	-	500	-	mA
I_H	Holding current	-	100	-	mA
t_d	Delay time	$V_D = 300$ V, gate source = 15V, 15 Ω	-	800	ns
t_q	Turn-off time	$I_T = 500$ A, square wave 50 μ s pulse, $T_j = 120^{\circ}C$, $dI_{RR}/dt = 50$ A/ μ s, $dV/dt = 500$ V/ μ s to 75% V_{DRM} .	-	10.0	μ s

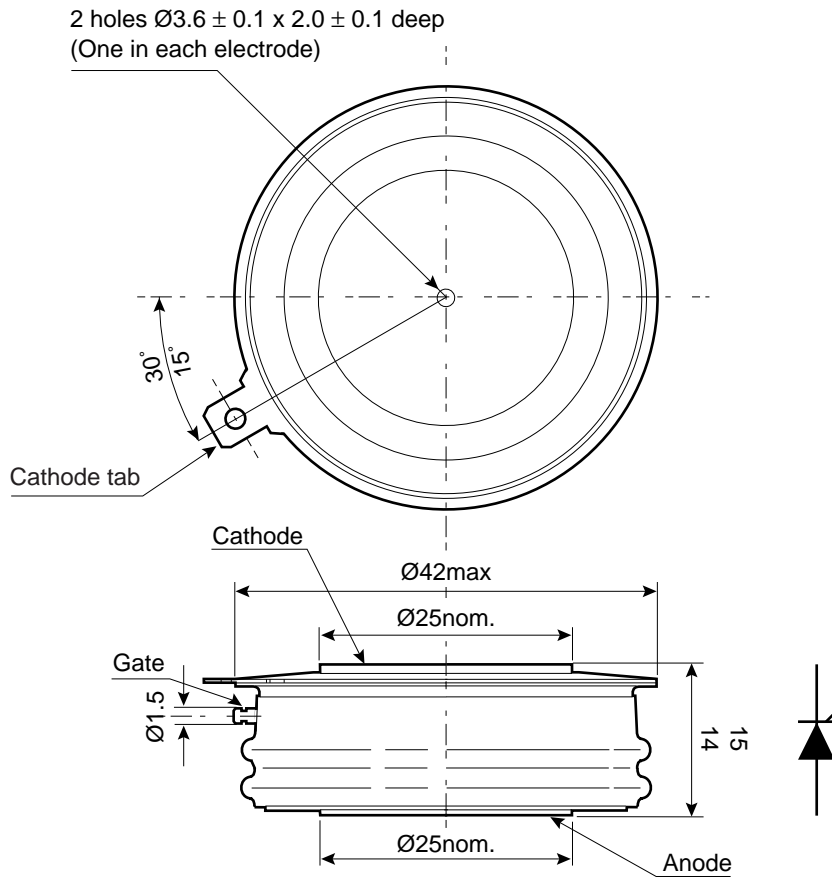
GATE TRIGGER CHARACTERISTICS AND RATINGS

Symbol	Parameter	Conditions	Typ.	Max.	Units	
V_{GT}	Gate trigger voltage	$V_{DWM} = 12$ V, $R_L = 30\Omega$, $T_{case} = 25^{\circ}C$	-	5	V	
I_{GT}	Gate trigger current	$V_{DWM} = 12$ V, $R_L = 30\Omega$, $T_{case} = 25^{\circ}C$	-	500	mA	
V_{FGM}	Peak forward gate voltage	-	-	40	V	
V_{RGM}	Peak reverse gate voltage	-	-	10	V	
I_{FGM}	Peak forward gate current	-	-	10	A	
P_{GM}	Peak gate power	-	-	40	W	
$P_{G(AV)}$	Average gate power	Average time 10ms max	Forward	-	10	W
			Reverse	-	-	W

ACR400SE

PACKAGE DETAILS

For further package information, please contact your local Customer Service Centre. All dimensions in mm, unless stated otherwise. DO NOT SCALE.



Nominal weight: 82g
Clamping force: $8\text{kN} \pm 10\%$
Lead length: 420mm
Lead terminal connector: M4 ring

Package outline type code: E

ASSOCIATED PUBLICATIONS

Title	Application Note
	Number
Calculating the junction temperature or power semiconductors	AN4506
Gate triggering and the use of gate characteristics	AN4840
Recommendations for clamping power semiconductors	AN4839
The effect of temperature on thyristor performance	AN4870
Thyristor and diode measurement with a multi-meter	AN4853
Turn-on performance of thyristors in parallel	AN4999
Use of V_{TO} , r_T on-state characteristic	AN5001

POWER ASSEMBLY CAPABILITY

The Power Assembly group was set up to provide a support service for those customers requiring more than the basic semiconductor, and has developed a flexible range of heatsink / clamping systems in line with advances in device types and the voltage and current capability of our semiconductors.

We offer an extensive range of air and liquid cooled assemblies covering the full range of circuit designs in general use today. The Assembly group continues to offer high quality engineering support dedicated to designing new units to satisfy the growing needs of our customers.

Using the up to date CAD methods our team of design and applications engineers aim to provide the Power Assembly Complete solution (PACs).

DEVICE CLAMPS

Disc devices require the correct clamping force to ensure their safe operation. The PACs range offers a varied selection of pre-loaded clamps to suit all of our manufactured devices. This include cube clamps for single side cooling of 'T' 22mm

Clamps are available for single or double side cooling, with high insulation versions for high voltage assemblies.

Please refer to our application note on device clamping, AN4839

HEATSINKS

Power Assembly has it's own proprietary range of extruded aluminium heatsinks. They have been designed to optimise the performance of our semiconductors. Data with respect to air natural, forced air and liquid cooling (with flow rates) is available on request.

For further information on device clamps, heatsinks and assemblies, please contact your nearest Sales Representative or the factory.



<http://www.dynexsemi.com>

e-mail: power_solutions@dynexsemi.com

HEADQUARTERS OPERATIONS
DYNEX SEMICONDUCTOR LTD
 Doddington Road, Lincoln.
 Lincolnshire. LN6 3LF. United Kingdom.
 Tel: 00-44-(0)1522-500500
 Fax: 00-44-(0)1522-500550

DYNEX POWER INC.
 Unit 7 - 58 Antares Drive,
 Nepean, Ontario, Canada K2E 7W6.
 Tel: 613.723.7035
 Fax: 613.723.1518
 Toll Free: 1.888.33.DYNEX (39639)

CUSTOMER SERVICE CENTRES
France, Benelux, Italy and Spain Tel: +33 (0)1 69 18 90 00. Fax: +33 (0)1 64 46 54 50
North America Tel: 011-800-5554-5554. Fax: 011-800-5444-5444
UK, Germany, Scandinavia & Rest Of World Tel: +44 (0)1522 500500. Fax: +44 (0)1522 500020

SALES OFFICES
France, Benelux, Italy and Spain Tel: +33 (0)1 69 18 90 00. Fax: +33 (0)1 64 46 54 50
Germany Tel: 07351 827723
North America Tel: (613) 723-7035. Fax: (613) 723-1518. Toll Free: 1.888.33.DYNEX (39639) /
 Tel: (831) 440-1988. Fax: (831) 440-1989 / Tel: (949) 733-3005. Fax: (949) 733-2986.
UK, Germany, Scandinavia & Rest Of World Tel: +44 (0)1522 500500. Fax: +44 (0)1522 500020
 These offices are supported by Representatives and Distributors in many countries world-wide.
 © Dynex Semiconductor 2000 Publication No. DS4202-4 Issue No. 4.0 January 2000
 TECHNICAL DOCUMENTATION – NOT FOR RESALE. PRINTED IN UNITED KINGDOM

Datasheet Annotations:

Dynex Semiconductor annotate datasheets in the top right hand corner of the front page, to indicate product status. The annotations are as follows:-

Target Information: This is the most tentative form of information and represents a very preliminary specification. No actual design work on the product has been started.

Preliminary Information: The product is in design and development. The datasheet represents the product as it is understood but details may change.

Advance Information: The product design is complete and final characterisation for volume production is well in hand.

No Annotation: The product parameters are fixed and the product is available to datasheet specification.

This publication is issued to provide information only which (unless agreed by the Company in writing) may not be used, applied or reproduced for any purpose nor form part of any order or contract nor to be regarded as a representation relating to the products or services concerned. No warranty or guarantee express or implied is made regarding the capability, performance or suitability of any product or service. The Company reserves the right to alter without prior notice the specification, design or price of any product or service. Information concerning possible methods of use is provided as a guide only and does not constitute any guarantee that such methods of use will be satisfactory in a specific piece of equipment. It is the user's responsibility to fully determine the performance and suitability of any equipment using such information and to ensure that any publication or data used is up to date and has not been superseded. These products are not suitable for use in any medical products whose failure to perform may result in significant injury or death to the user. All products and materials are sold and services provided subject to the Company's conditions of sale, which are available on request.

All brand names and product names used in this publication are trademarks, registered trademarks or trade names of their respective owners.