



ACU2109S3

CATV/TV/Cable Modem Upconverter MMIC

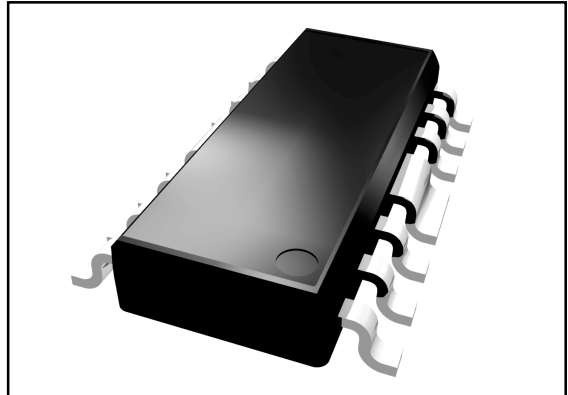
Advanced Product Information - Rev 1

FEATURES

- Integrated Monolithic GaAs Upconverter
- Designed for Digital and Analog TV
- Very Low Oscillator Phase Noise
- Low Noise Figure & Low Distortion
- Low Power Consumption
- Small size
- Can be Shut Down Remotely
- Operates from 5 Volt Power Supply
- High Reliability

APPLICATIONS

- CATV/TV Tuners
- Cable Modem Tuners



S3
16 Pin SOIC Package

Description:

The ACU2109 is a Monolithic GaAs IC incorporating all upconverter functions of a double conversion CATV, Cable Modem and TV tuner: gain block, oscillator and a double balanced mixer. The oscillator is optimized to meet the stability and phase noise requirements of 256QAM Digital TV, while the amplifier and mixer retain the low distortion necessary for Analog signals.

The part is supplied in a low profile 16-lead modified SOIC package and it requires only a single polarity 5 Volt power supply.

ABSOLUTE MAXIMUM RATINGS

PARAMETER	ABSOLUTE MAXIMUM	
$V_{DD}/V_{IF}/V_{OSC}$ (Pins 1,10,14,& 16)	9	V_{DC}
V_{RF}/V_{TUNE} (Pins 6 & 11)	0	V_{DC}
RF Input Voltage	+60	dBmV
Storage Temperature	- 55 to +200	°C
Soldering Temperature	260	°C
Soldering Time	5	Sec.
Operating Case Temperature	- 40 to + 85	°C

This upconverter IC is well suited for double conversion tuner designs where small size, low cost, low auxiliary parts count and a no-compromise performance when handling both Digital and Analog TV signals is important.

It lets tuner manufacturers reduce costs by lowering component count and dispensing with labor-intensive production alignment steps, while improving performance and reliability.

Notes:

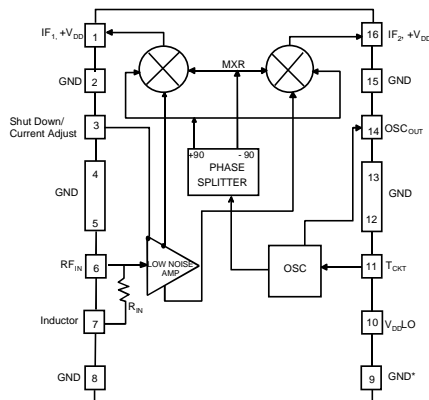
ELECTRICAL SPECIFICATIONS

PARAMETER	MIN.	TYP.	MAX.	UNIT
Conversion Gain ¹	5.0	8.0	-	dB
Gain Flatness ¹	-	0.8	-	dB
SSB Noise Figure ¹	-	6.5	8.0	dB
CSO ²	-	-60	-57	dBc
CTB ²	-	-60	-57	dBc
Cross Modulation ³	-	-62	-60	dBc
2-Tone 2nd Order Input IP ⁴	-	95	-	dBmV
2-Tone 3rd Order Input IP ⁴	-	70	-	dBmV
LO Phase Noise ⁵	-	-89	-84	dBc/Hz
LO Power to Prescaler	-7	-0	-	dBm
LO to RF Leakage	-	20	-	dBmV
LO to IF Leakage	-	34	-	dBmV
RF to IF Isolation	30	35	-	dB
Tuning Voltage ¹	1.0	-	27	V
Shutdown Voltage(Pin 3)	-	-2	-	V
V _{DDIF}	4.75	5.0	5.25	V
V _{DDL0}	4.75	5.0	5.25	V
I _{DDIF}		65	85	mA
I _{DDL0}		80	95	mA
Power Consumption		770	900	mW

1. As measured in ANADIGICS test fixture
2. 128 Channels @ + 7 dBmV
3. 128 Channels, 99% Modulation @ 15 KHz
4. Two tones @ -15 dBm (33.75 dBmV) each
5. At 10 KHz offset

dBc = dB below carrier
dBmV = dBm + 48.75

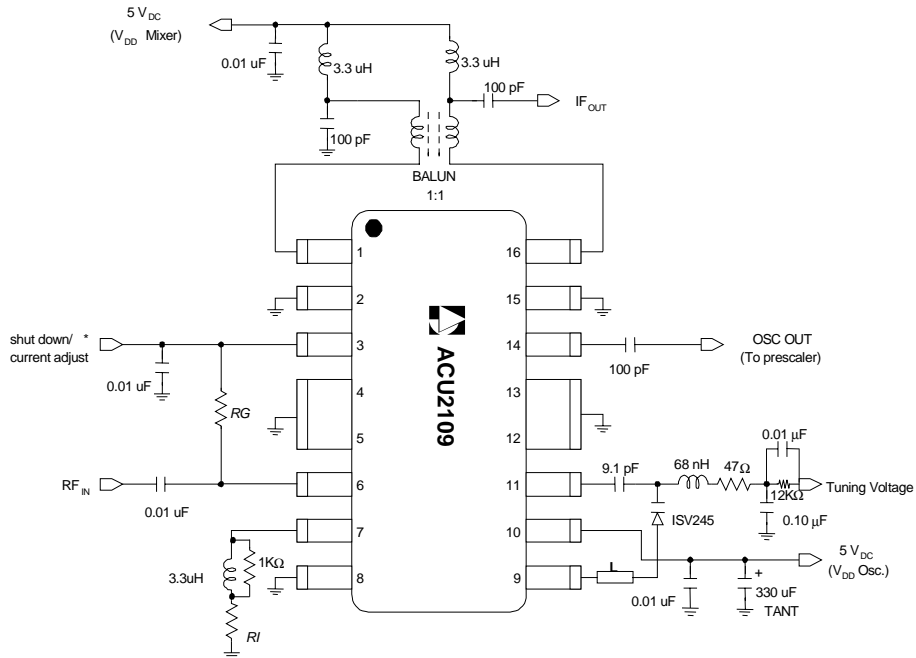
FUNCTIONAL BLOCK DIAGRAM



* Varactor return. Do not connect to common ground

OPERATING RANGES

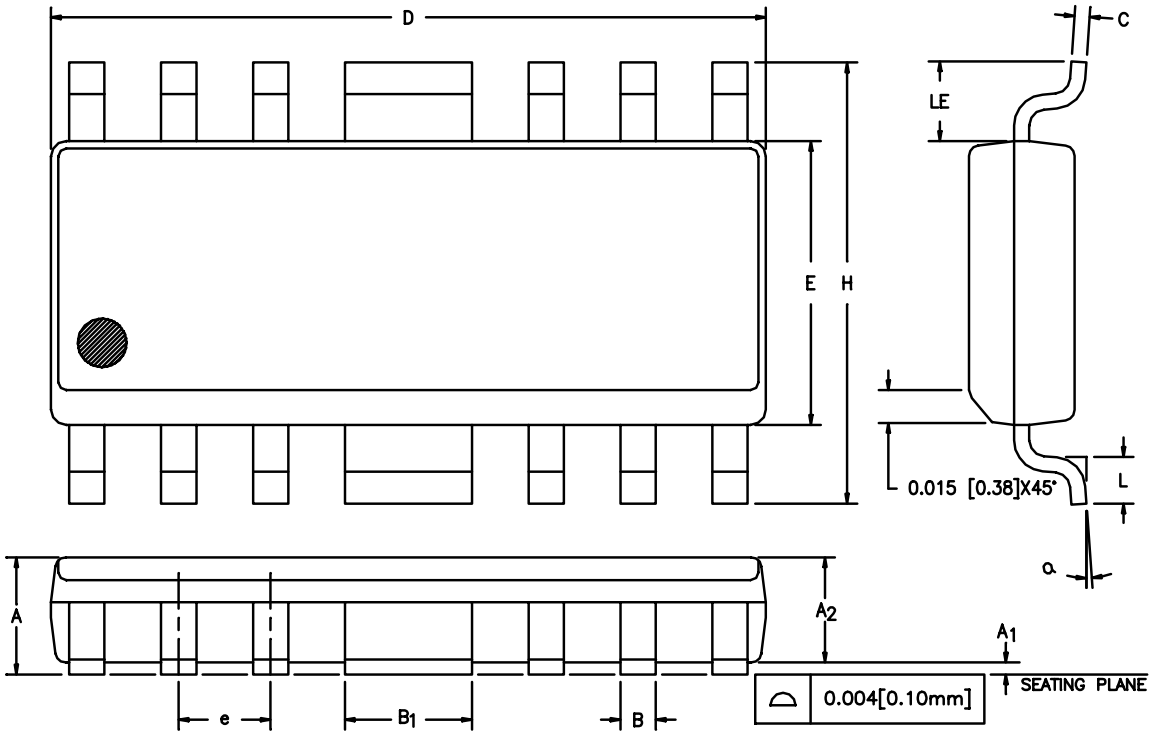
PARAMETER	MIN.	TYPICAL	MAX.	UNITS
Frequency				
RF	50		860	MHz
IF	900		1200	
LO	950		2060	
V_{TUNE}	1.5		27	Volts
V_{DDIF}	4.75	5	5.25	Volts
V_{DDL0}	4.75	5	5.25	Volts
I_{DDIF}		65	85	mA
I_{DDL0}		80	95	mA



NOTES:

- L = Printed inductor
- RG = Gain control/impedance match resistor (240 Ω for 8 dB gain)
- RI = Current adjust resistor 2.7 W for 60 mA mixer current
- * = Apply -2V DC for shutdown, 0 < VDC < 0.3 for 60 mA mixer current

Package Outline



SYMBOL	INCHES		MILLIMETERS		NOTE
	MIN.	MAX.	MIN.	MAX.	
A	0.058	0.068	1.47	1.73	
A1	0.004	0.010	0.10	0.25	
A2	0.055	0.065	1.40	1.65	
B	0.013	0.020	0.33	0.50	
B1	0.062	0.070	1.58	1.78	
C	0.008	0.010	0.20	0.25	4
D	0.380	0.400	9.66	10.16	2
E	0.150	0.160	3.81	4.06	3
e	0.050 BSC		1.27 BSC		
H	0.226	0.244	5.74	6.20	
L	0.016	0.040	0.41	1.02	
LE	0.030	—	0.76	—	
α	0°	8°	0°	8°	

NOTES:

1. CONTROLLING DIMENSION: INCHES
2. DIMENSION "D" DOES NOT INCLUDE MOLD FLASH, PROTRUSIONS OR GATE BURRS. MOLD FLASH, PROTRUSIONS AND GATE BURRS SHALL NOT EXCEED 0.006 [0.15mm] PER SIDE.
3. DIMENSION "E" DOES NOT INCLUDE INTER-LEAD FLASH OR PROTRUSIONS. INTER-LEAD FLASH AND PROTRUSIONS SHALL NOT EXCEED 0.010 [0.25mm] PER SIDE.
4. MAXIMUM LEAD TWIST/SKEW TO BE ±0.005 [0.13mm].
5. LEAD THICKNESS AFTER PLATING TO BE 0.013 [0.33mm] MAXIMUM.

Notes



ANADIGICS, Inc.
35 Technology Drive
Warren, New Jersey 07059
Tel: (908) 668-5000
Fax: (908) 668-5132

<http://www.anadigics.com>
Mktg@anadigics.com

IMPORTANT NOTICE

ANADIGICS, Inc. reserves the right to make changes to its products or discontinue any product at any time without notice. The Advanced Product data sheets and product specifications contained in this data sheet are subject to change prior to a products formal introduction. The information in this data sheet has been carefully checked and is assumed to be reliable. However, ANADIGICS assumes no responsibility for inaccuracies. ANADIGICS strongly urges customers to verify that the information they are using is current before placing orders.

WARNING

ANADIGICS products are not intended for use in life support appliances, devices, or systems. Use of an ANADIGICS product in any such application without written consent is prohibited.