

**1A Low Dropout Regulator  
SCSI-II Active Terminator**

**FEATURES**

- Guaranteed 1A Output
- Three Terminal Adjustable Or Fixed 1.5V, 2.5V, 2.85V, 3V, 3.3V & 5V
- Very Low Quiescent Current
- Low Dropout Voltage Of 1.2 Volts At Full Load
- Extremely Tight Load And Line Regulation
- Very Low Temperature Coefficient
- Fixed 2.85V Device For SCSI-II Active Terminator
- Logic-Controlled Electronic Shutdown
- Surface Mount Package SOT-223, TO-252, TO-220, SOT-89, TO-263, & SO-8

**APPLICATIONS**

- SCSI-II Active Terminator
- Portable/ Palm Top / Notebook Computers
- Battery Chargers
- Disk Drives
- Portable Consumer Equipment
- Portable Instrumentation
- SMPS Post-Regulator

**PRODUCT DESCRIPTION**

The ADVANCED Semiconductor AD1117 is a low power positive-voltage regulator designed to meet 1A output current and comply with SCSI-II specifications with a fixed output voltage of 2.85V. This device is an excellent choice for use in battery-powered applications, as active terminators for the SCSI bus, and portable computers. The AD1117 features very low quiescent current and very low dropout voltage of 1.2V at a full load and lower as output current decreases. AD1117 is available as an adjustable or fixed 2.85V, 3V, 3.3V, and 5V output voltages.

The AD1117 is offered in a 3-pin surface mount package SOT-223, TO-252, TO-220, SOT-89 & TO-263. The output capacitor of 10mF or larger is needed for output stability of AD1117 as required by most of the other regulator circuits.

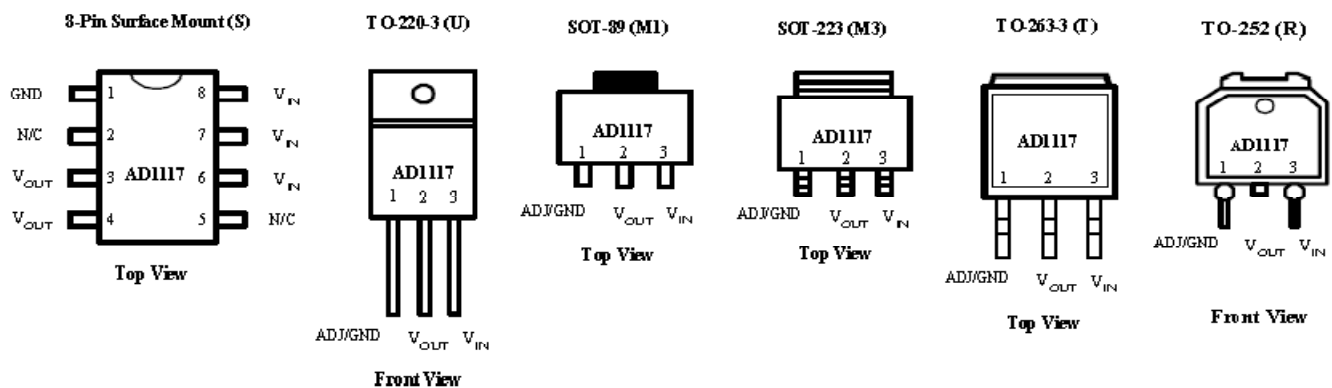
Use of ADVANCED Semiconductor's design, processing and testing techniques make our AD1117 superior over similar products.

**ORDERING INFORMATION**

TO-220 3-PIN	TO-263 3-PIN	SOT-223 3-PIN	PLASTIC SOIC 8 PIN	SOT-89 3-PIN	TO-252 DPAK	Oper. Temp. Range
AD1117U	AD1117T	AD1117M3	AD1117S	AD1117M1	AD1117R	-40°C to +85°C
AD1117U-X	AD1117T-X	AD1117M3-X	AD1117S-X	AD1117M1-X	AD1117R-X	-40°C to +85°C

X= Output Voltage (X = 1.5V, 2.5V, 2.85V, 3.0V, 3.3V, 5.0, or Blank for Adjustable)

**PIN CONNECTIONS**



### ABSOLUTE MAXIMUM RATINGS

Power Dissipation.....Internally  
 Lead Temp. (Soldering, 5 Seconds) ..... 260°C  
 Storage Temperature Range ..... -65° to +150°C  
 Operating Junction Temperature Range  
 AD1117 .....-40C° to +125°C

Limited Input Supply Voltage..... -20V to +20V  
 ESD Rating .....2KV Min

**ELECTRICAL CHARACTERISTICS** at  $V_{IN} = V_{OUT} + 1$ ,  $T_a = 25^\circ\text{C}$ ,  $C_L = 3.3\mu\text{f}$ , unless otherwise specified. Limits in **Boldface** apply over the full operating temperature range.

Parameter	Conditions	Typ	AD1117		Units	
			Min	Max		
<b>1.5V Version</b>						
Output Voltage	$I_{OUT} = 10\text{mA}$ , $V_{IN} = 4.85\text{V}$	1.5	1.485	1.515	V	
	$0 \leq I_{OUT} \leq 1\text{A}$ , $4.25 \leq V_{IN} \leq 10\text{V}$		<b>1.47</b>	1.53		
<b>2.5V Version</b>						
Output Voltage	$I_{OUT} = 10\text{mA}$ , $V_{IN} = 4.85\text{V}$	2.5	2.475	2.525	V	
	$0 \leq I_{OUT} \leq 1\text{A}$ , $4.25 \leq V_{IN} \leq 10\text{V}$		2.45	2.55		
<b>2.85V Version</b>						
Output Voltage	$I_{OUT} = 10\text{mA}$ , $V_{IN} = 4.85\text{V}$	2.85	2.822	2.879	V	
	$0 \leq I_{OUT} \leq 1\text{A}$ , $4.25 \leq V_{IN} \leq 10\text{V}$		2.793	2.907		
<b>3.0V Version</b>						
Output Voltage	$I_{OUT} = 10\text{mA}$ , $V_{IN} = 4.85\text{V}$	3	2.97	3.03	V	
	$0 \leq I_{OUT} \leq 1\text{A}$ , $4.75 \leq V_{IN} \leq 10\text{V}$		2.94	3.06		
<b>3.3V Version</b>						
Output Voltage	$I_{OUT} = 10\text{mA}$ , $V_{IN} = 5.0\text{V}$	3.3	3.267	3.333	V	
	$0 \leq I_{OUT} \leq 1\text{A}$ , $4.75 \leq V_{IN} \leq 10\text{V}$		3.234	3.366		
<b>5.0V Version</b>						
Output Voltage	$I_{OUT} = 10\text{mA}$ , $V_{IN} = 7.0\text{V}$	5	4.95	5.05	V	
	$0 \leq I_{OUT} \leq 1\text{A}$ , $6.50 \leq V_{IN} \leq 12\text{V}$		4.9	5.1		
<b>All Output Options</b>						
Reference Voltage	$I_{OUT} = 10\text{mA}$ , $(V_{IN} - V_{OUT}) = 2\text{V}$	1.25	1.238	1.262	V	
	$10 \leq I_{OUT} \leq 1\text{A}$ , $1.4 \leq (V_{IN} - V_{IN}) \leq 10\text{V}$		1.225	1.27		
Output Voltage Temperature Stability	(Note 1)			0.05	%	
Line Regulation	$4.25\text{V} \leq V_{IN} \leq 10\text{V}$ , $V_{OUT} = 2.85$ , $I_{OUT} = 0$	1.00	1.00	6.00	7.00	mV
	$4.50\text{V} \leq V_{IN} \leq 12\text{V}$ , $V_{OUT} = 3.00$ , $I_{OUT} = 0$	1.00	1.00	10.00		
	$4.80\text{V} \leq V_{IN} \leq 12\text{V}$ , $V_{OUT} = 3.30$ , $I_{OUT} = 0$					
	$6.50\text{V} \leq V_{IN} \leq 15\text{V}$ , $V_{OUT} = 5.00$ , $I_{OUT} = 0$					
Load Regulation	$0 \leq I_{OUT} \leq 1\text{A}$ , $V_{IN} = 4.25\text{V}$ , $V_{OUT} = 2.85$	1.00	1.00	10.00	12.00	mV

	0 ≤ I <sub>OUT</sub> ≤ 1A, V <sub>IN</sub> = 4.50V, V <sub>OUT</sub> = 3.00	1.00 1.00		12.00 15.00	
	0 ≤ I <sub>OUT</sub> ≤ 1A, V <sub>IN</sub> = 4.80V, V <sub>OUT</sub> = 3.30				
	0 ≤ I <sub>OUT</sub> ≤ 1A, V <sub>IN</sub> = 6.50V, V <sub>OUT</sub> = 5.00				
Dropout Voltage ( Note 2)	IL = 100mA IL = 500mA IL = 1A	1.00 1.05 1.10		1.10 1.15 1.20	V
Quiescent Current	4.25V ≤ V <sub>IN</sub> ≤ 6.5V	5		10	mA
Current Limit	(V <sub>IN</sub> - V <sub>OUT</sub> ) = 5V	1000		1200	mA
Thermal Regulation	25°C, 30mS Pulse	0.01		0.1	%/W
Ripple Rejection	f <sub>RIPPLE</sub> = 120Hz, (V <sub>in</sub> - V <sub>OUT</sub> ) = 3V, V <sub>RIPPLE</sub> = 1V <sub>p-p</sub>	60		75	dB
Long Term Stability	125°C, 1000Hrs			0.03	%
RMS Output Noise	% of V <sub>out</sub> , 10Hz ≤ f ≤ 10kHz			0.003	%
Thermal Resistance	Junction to case, at tab			15	°C/W°

**Note 1: Output temperature coefficient is defined as the worst case voltage change divided by the total temperature range**

**Note 2:** Dropout voltage is defined as the input to output differential at which the output voltage drops 100mV below its nominal value measured at 1V differential at very low values of programmed output voltage, the minimum input supply voltage of 2V ( 2.3V over temperature) must be taken into account.

**Note 3: Thermal regulation is defined as the change in output voltage at a time T after a change in power dissipation is applied, excluding load or line regulation effect.**

To ensure the stability of the AD1117 an output capacitor of at least 10F (tantalum) or 50F (aluminum) is required. The value may change based on the application requirements on the output load or temperature range. The capacitor equivalent series resistance (ESR) will effect the AD1117 stability. The value of ESR can vary from the type of capacitor used in the applications. The recommended value for ESR is 0.5. The output capacitance could increase in size to above the minimum value. The large value of output capacitance as high as 100F can improve the load transient response.

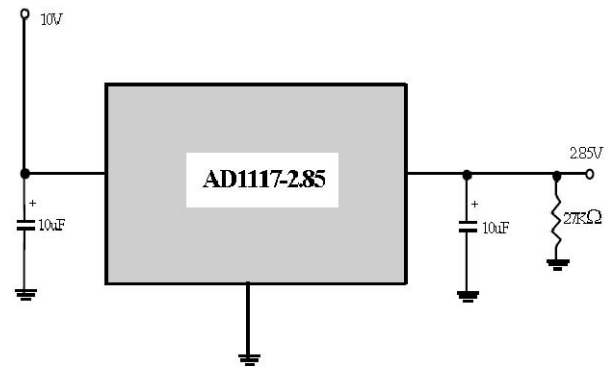
**SOLDERING METHODS** The AD1117 SOT-223 package is designed to be compatible with infrared reflow or vapor-phase reflow soldering techniques. During soldering the non-active or mildly active fluxes may be used. The AD1117 die is attached to the heatsink lead which exits opposite the input, output, and ground pins. Hand soldering and wave soldering should be avoided since these methods can cause damage to the device with excessive thermal gradients on the package. The SOT-223 recommended soldering methods are as follows: vapor phase reflow and infrared reflow with the component preheated to within 65C of the soldering temperature range.

**THERMAL CHARACTERISTICS** The thermal resistance of AD1117 is 15C/W from junction to tab and 31 C/W from tab to ambient for a total of 46C/W from junction to ambient. The AD1117 features the internal thermal limiting to protect the device during overload conditions. Special care needs to be taken during continuous load conditions the maximum junction temperature does not exceed 125 C. Taking the FR-4 printed circuit board and 1/16 thick with 1 ounce copper foil as an experiment (fig.1 & fig.2), the PCB material is effective at transmitting heat with the tab attached to the pad area and a ground plane layer on the backside of the substrate. Refer to table 1 for the results of the experiment. The thermal interaction from other components in the application can effect the thermal resistance of the AD1117. The actual thermal resistance can be determined with experimentation. AD1117 power dissipation is calculated as follows:

$$PD = (V_{IN} - V_{OUT})(I_{OUT})$$

Maximum Junction Temperature range:  $T_J = T_{ambient} (max) + PD * \text{thermal resistance (Junction-to-ambient)}$   
 Maximum Junction temperature must not exceed the 125°C.

### APPLICATION NOTES EXTERNAL CAPACITOR



$$P_o = (10V - 2.85)(105mA) = (7.15)(105mA) = 750mW$$

Fig. 1. Circuit Layout, Thermal Experiments.

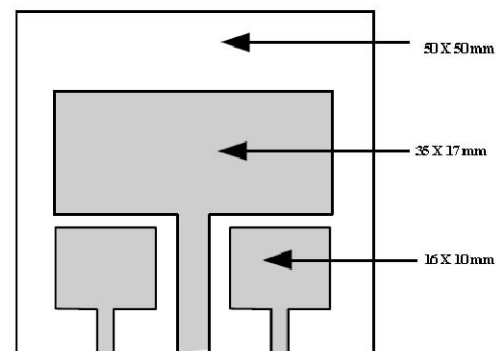
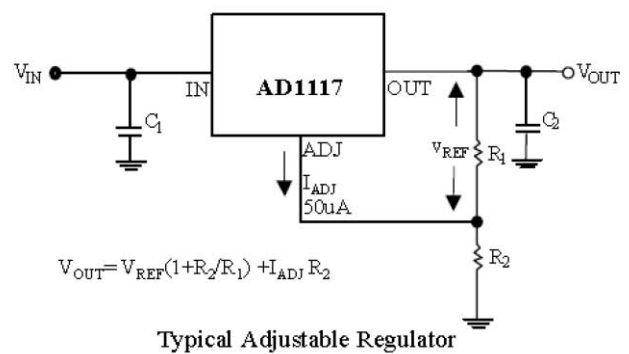
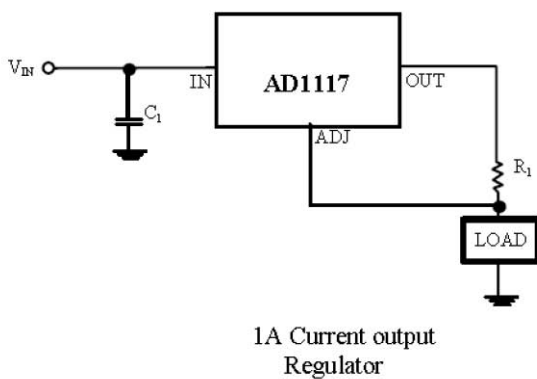


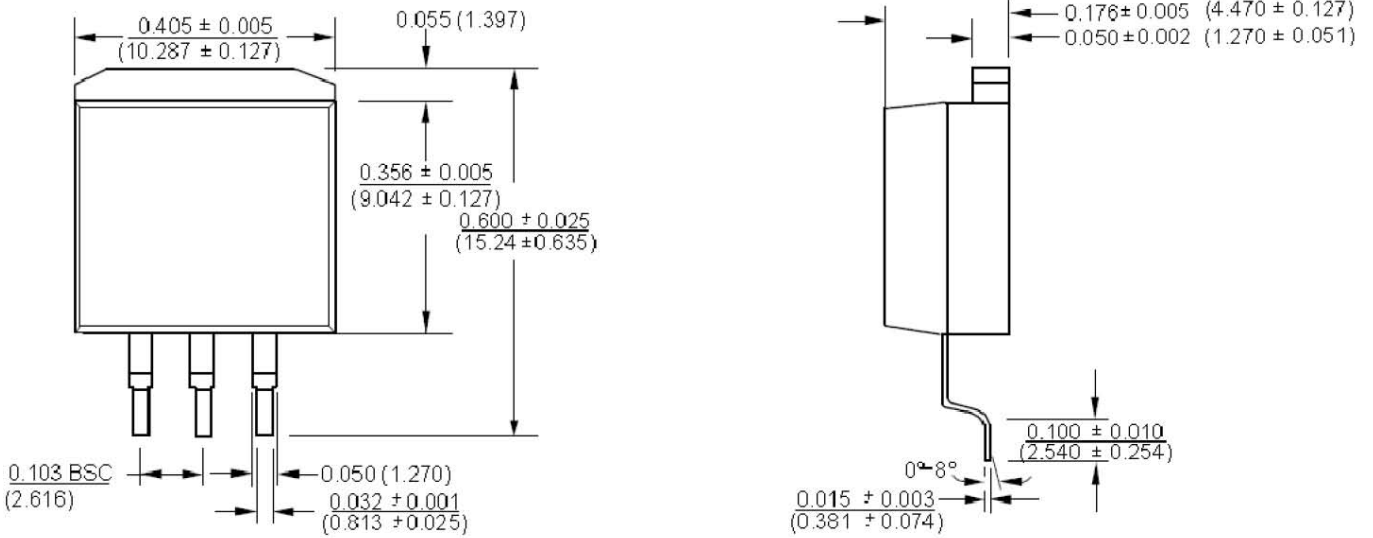
Fig. 2. Substrate Layout for SOT-223

**Table 1.**

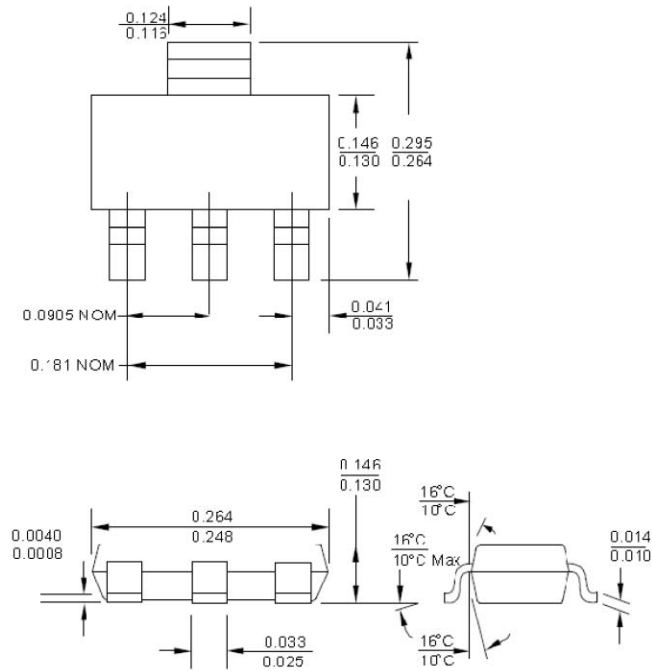
TOTAL PC BOARD AREA	TOPSIDE COPPER AREA	BACKSIDE COPPER AREA	THERMAL RESISTANCE JUNCTION TO AMBIENT
2500mm	2500mm	2500mm	46°C/W <sup>°°</sup>
2500mm	1250mm	2500mm	47°C/W <sup>°°</sup>
2500mm	950mm	2500mm	49°C/W <sup>°°</sup>
2500mm	2500mm	0	51°C/W <sup>°°</sup>
2500mm	1800mm	0	53°C/W <sup>°°</sup>
1600mm	600mm	1600mm	55°C/W <sup>°°</sup>
2500mm	1250mm	0	58°C/W <sup>°°</sup>
2500mm	915mm	0	59°C/W <sup>°°</sup>
1600mm	600mm	0	67°C/W <sup>°°</sup>
900mm	240mm	900mm	72°C/W <sup>°°</sup>
900mm	240mm	0	85°C/W <sup>°°</sup>



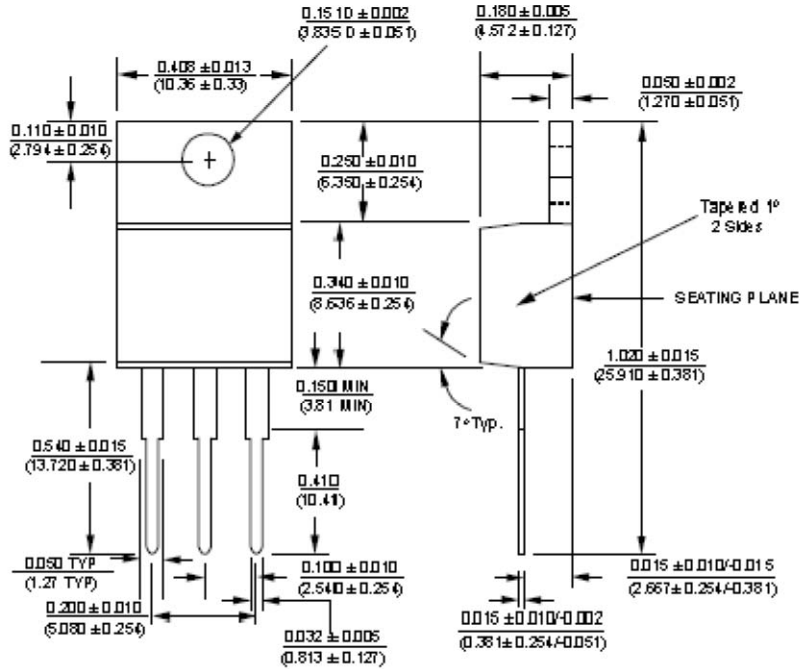
**PACKAGE DRAWING TO-263-3L (T)**



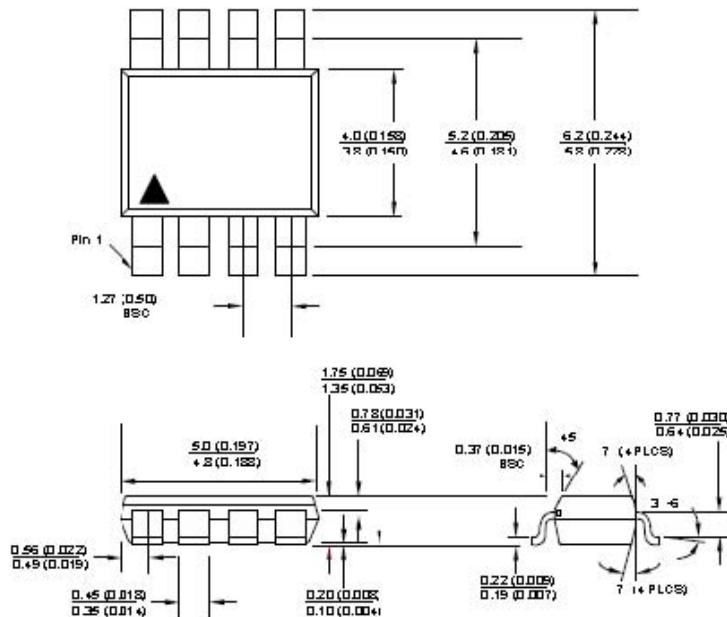
**PACKAGE DRAWING SOT-223-3L (M3)**



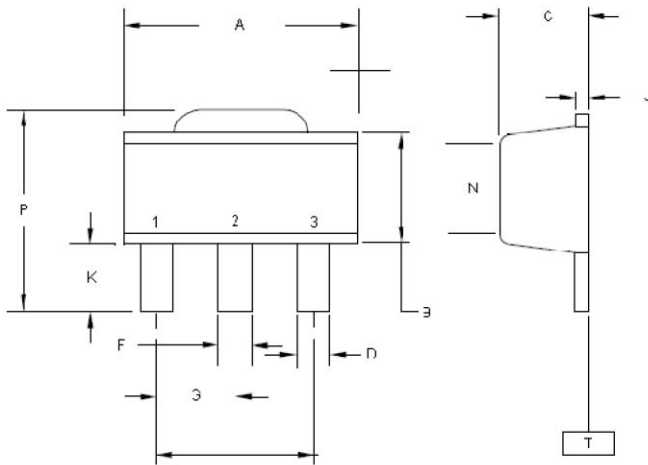
**PACKAGE DRAWING TO-220-3L (U)**



**PACKAGE DRAWING 8-PIN SOIC (S)**



**PACKAGE DRAWING SOT-89 (M1)**



**STYLE 1**

- PIN 1. BASE
- 2. COLLECTOR
- 3. EMITTER

**STYLE 2**

- PIN 1. ANODE
- 2. CATHODE
- 3. NO CONNECTION

**STYLE 3**

- PIN 1. GATE
- 2. ANODE
- 3. CATHODE

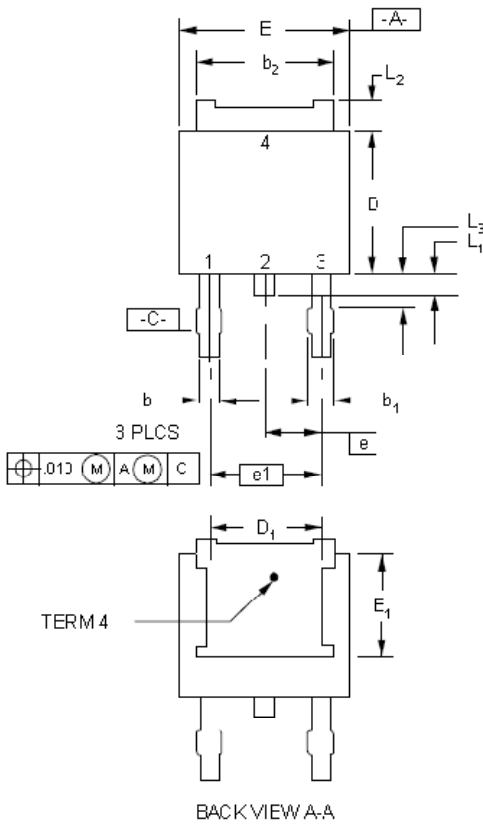
**STYLE 4**

- PIN 1. DRAIN
- 2. GATE
- 3. SOURCE

DIM	MILLIMETERS		INCHES	
	MIN	MAX	MIN	MAX
A	4.40	4.60	0.174	0.181
B	2.29	2.60	0.091	0.102
C	140	160	0.056	0.062
D	0.36	0.48	0.015	0.018
E	1.62	1.80	0.064	0.070
F	0.44	0.53	0.018	0.020
G	150 BSC		0.059 BSC	
J	0.35	0.44	0.014	0.017
K	0.80	1.04	0.032	0.040
L	300 BSC		0.118 BSC	
N	2.04	2.28	0.081	0.089
P	3.94	4.25	0.156	0.167



## PACKAGE DRAWING TO-252-3L (R)



SYMBOL	INCHES		MM		NOTE
	MIN	MAX	MIN	MAX	
A	0.086	0.094	2.184	2.3876	
A1	0.035	0.045	0.889	1.143	
b	0.025	0.035	0.635	0.889	
b1	0.300	0.045	7.620	1.143	
b2	0.205	0.215	5.207	5.461	4
c	0.018	0.023	0.457	0.5842	
c1	0.018	0.023	0.457	0.5842	
D	0.235	0.245	5.969	6.223	
D1	0.170	-	4.318	-	4, 5
E	0.250	0.265	6.350	6.731	
E1	0.170	-	4.318	-	4, 5
e	0.098		2.489		
e1	0.180		4.572		
H	0.370	0.410	9.398	10.414	
L	0.020	-	0.508	-	6
L1	0.025	0.040	0.635	1.016	
L2	0.035	0.050	0.889	1.270	4
L3	0.045	0.060	1.143	1.524	3

### NOTES

1. Refer To Applicable Symbol List.
2. Dimensions And Tolerancing Per Ansi Y14.5m - 1982.
3. Lead Dimension Uncontrolled in L 3.
4. Tab Contour Optional Within Dim. b 2 & L2 And E1 & D1
5. D1 & E1 Establishes A Minimum Mounting Surface for Terminal 4.
6. L is the Termal Length for Soldering.
7. Controlling Dimension: Inch
8. 2 Mils Suggested For Postive Contact At Mounting.