

MICRO SWITCH

A DIVISION OF MILWAUKEE-HONEYWELL REGULATOR COMPANY
 FREEPORT, ILLINOIS

FED. MFR. CODE 91929

ACTUATOR - SWITCH

AD572IR3

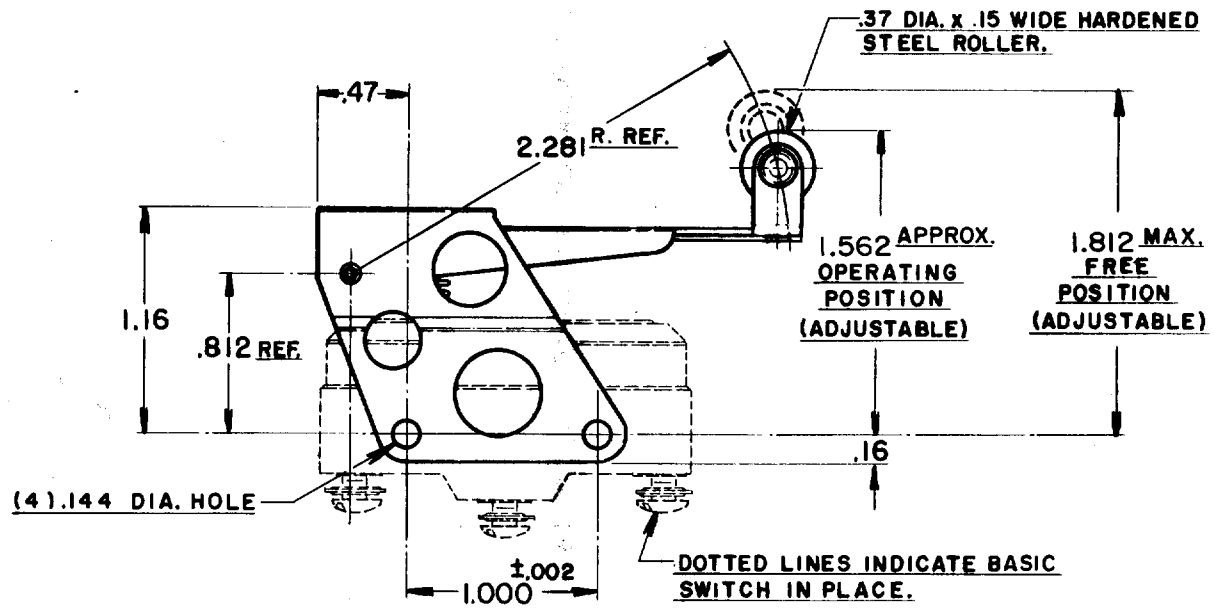
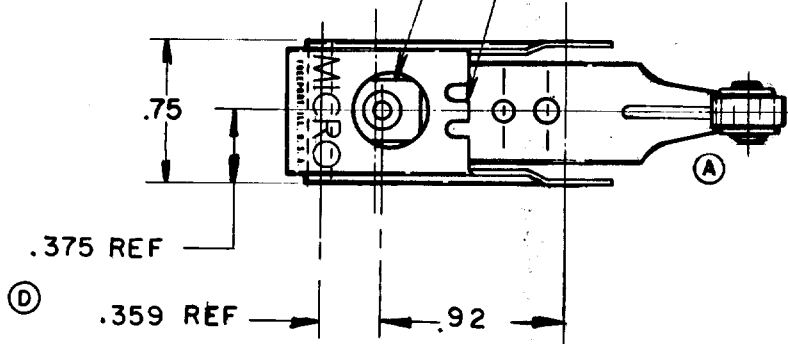
REVISIONS
 A CO 10598 J. E. C. 10 JAN. 58
 B OBS DWG M B F 8 FEB 61
 C MADE ETS M B F 8 FEB 61
 D CO 21727 M B F 26 AUG 66
 E PR-2733 SRH JUN 72
 F CO 63585 DCS 24 MAY 88
 R. L. Z. 28 SEPT. 56
 DRAWN
 FO-50378

AD572IR3
 M
 DRAWING NUMBER
 ISSUE
 6
 3
 3
 3

REPLACES
 RELEASE NO. PR-2733
 CHECK 11 OCT. 56
 CHECK 2 OCT. 58
 CHECK M.J.L. 2 OCT. 58
 CHECK G.C.H. 17 OCT. 56
 CHECK 28 SEPT. 56

FREE POSITION
ADJUSTMENT TAB

OPERATING POSITION
ADJUSTMENT TAB



THIS DRAWING COVERS A PROPRIETARY ITEM AND IS THE PROPERTY OF MICRO SWITCH. A DIVISION OF HONEYWELL. THIS DRAWING IS NOT TO BE COPIED OR USED WITHOUT THE APPROVAL OF MICRO SWITCH.

CHARACTERISTICS	ELECTRICAL DATA		SCALE FULL
	CONTACT ARRANGEMENT	BREAK DISTANCE	DO NOT SCALE PRINT
OVERTRAVEL - - - .531 APPROX.			UNLESS OTHERWISE SPECIFIED DIMENSIONS ARE IN INCHES TOLERANCES ARE: ONE PLACE (.0) ±.030 TWO PLACE (.00) ±.015 THREE PLACE (.000) ±.005 ANGLES ±
			WEIGHT