

**HIGH VOLTAGE HALL EFFECT LATCH****AH278****General Description**

The AH278 is an integrated Hall sensor with output driver designed for electronic commutation of brushless DC motor applications. The device includes an on-chip Hall sensor for magnetic sensing, an amplifier that amplifies the Hall voltage, a Schmitt trigger to provide switching hysteresis for noise rejection and two complementary open-collector drivers for sinking large load current. It also includes an internal band-gap regulator which is used to provide bias voltage for internal circuits and allows a wide operating supply voltage ranges.

Placing the device in a variable magnetic field, if the magnetic flux density is larger than threshold B_{OP} the pin DO will be turned low (on) and pin DOB will be turned high (off). This output state is held until the magnetic flux density reverses and falls below B_{RP} , then causes DO to be turned high (off) and DOB turned low (on).

AH278 is available in TO-94 (SIP-4L) package.

Features

- On-Chip Hall Sensor
- 4V to 30V Supply Voltage
- 500mA (avg) Output Sink Current
- Build in Protection Diode for Reverse Power Connecting
- -20°C to 85°C Operating Temperature
- Low Profile TO-94 (SIP-4L) Package
- Build in Over Temperature Protection Function
- ESD Rating: 300V(Machine Model)

Applications

- 12V/24V Dual-Coil Brushless DC Motor/Fan
- Power Supply and Switchboard
- Communications Facilities
- Industrial Equipment

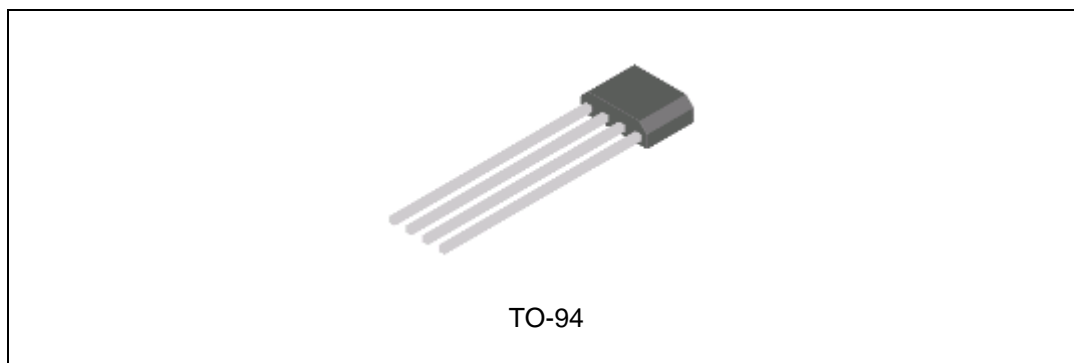


Figure 1. Package Type of AH278

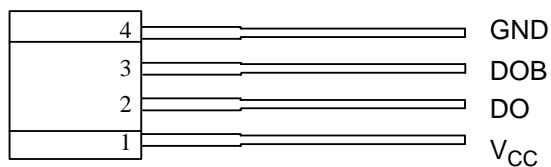
**HIGH VOLTAGE HALL EFFECT LATCH****AH278****Pin Configuration**Z4 Package
(TO-94)

Figure 2. Pin Configuration of AH278 (Top View)

Pin Description

Pin Number	Pin Name	Function
1	V _{CC}	Supply voltage
2	DO	Output 1
3	DOB	Output 2
4	GND	Ground



HIGH VOLTAGE HALL EFFECT LATCH

AH278

Functional Block Diagram

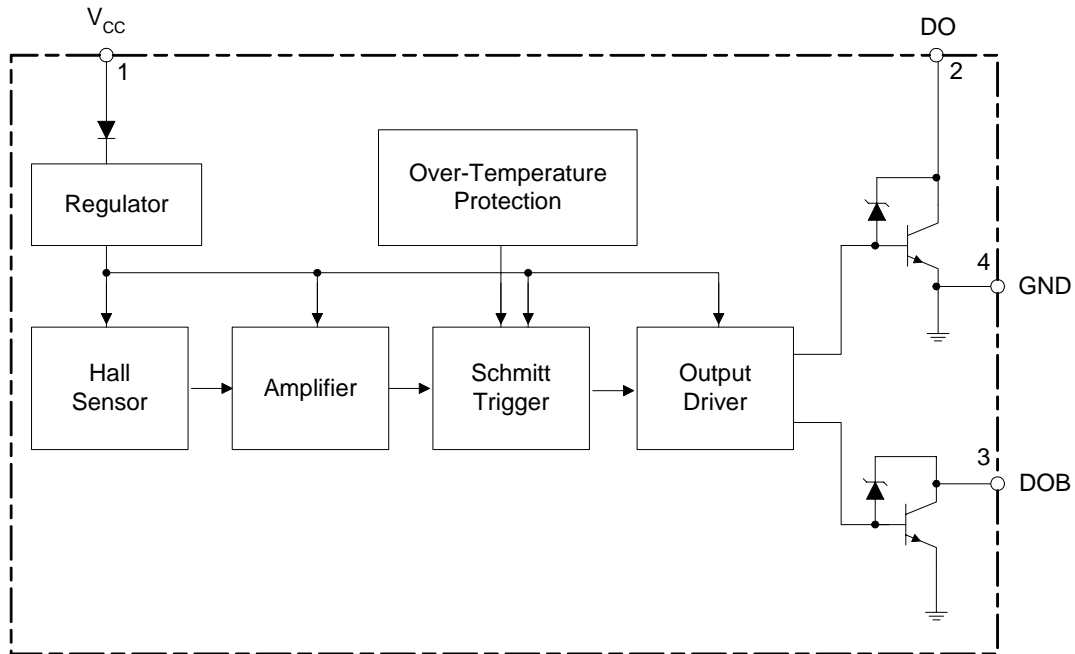
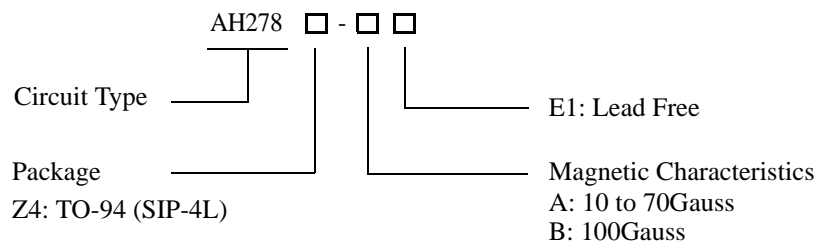


Figure 3. Functional Block Diagram of AH278

Ordering Information



Package	Temperature Range	Part Number	Marking ID	Packing Type
TO-94	-20 to 85 °C	AH278Z4-AE1	AH278Z4-E1	Bulk
		AH278Z4-BE1	AH278Z4-E1	Bulk

BCD Semiconductor's Pb-free products, as designated with "E1" suffix in the part number, are RoHS compliant.

**HIGH VOLTAGE HALL EFFECT LATCH****AH278****Absolute Maximum Ratings (Note 1)** $(T_A=25^{\circ}\text{C})$

Parameter	Symbol	Value	Unit	
Supply Voltage	V_{CC}	30	V	
Reverse Protection Voltage	V_{RCC}	-30	V	
Magnetic Flux Density	B	Unlimited	Gauss	
Output Current	Continuous	I_O	500 (Note 2)	mA
	Hold		600	mA
	Peak (start up)		800	mA
Power Dissipation	P_D	550	mW	
Thermal Resistance	Die to atmosphere	θ_{JA}	227	$^{\circ}\text{C}/\text{W}$
	Die to package case	θ_{JC}	49	$^{\circ}\text{C}/\text{W}$
Storage Temperature	T_{STG}	-50 to 150	$^{\circ}\text{C}$	
ESD (Machine Model)		300	V	

Note 1: Stresses greater than those listed under "Absolute Maximum Ratings" may cause permanent damage to the device. These are stress ratings only, and functional operation of the device at these or any other conditions beyond those indicated under "Recommended Operating Conditions" is not implied. "Absolute Maximum Ratings" for extended period may affect device reliability.

Note 2: Continuous output current is 300mA at 85 $^{\circ}\text{C}$.

Recommended Operating Conditions

Parameter	Symbol	Min	Max	Unit
Supply Voltage	V_{CC}	4	28	V
Operating Ambient Temperature	T_A	-20	85	$^{\circ}\text{C}$



HIGH VOLTAGE HALL EFFECT LATCH

AH278

Electrical Characteristics

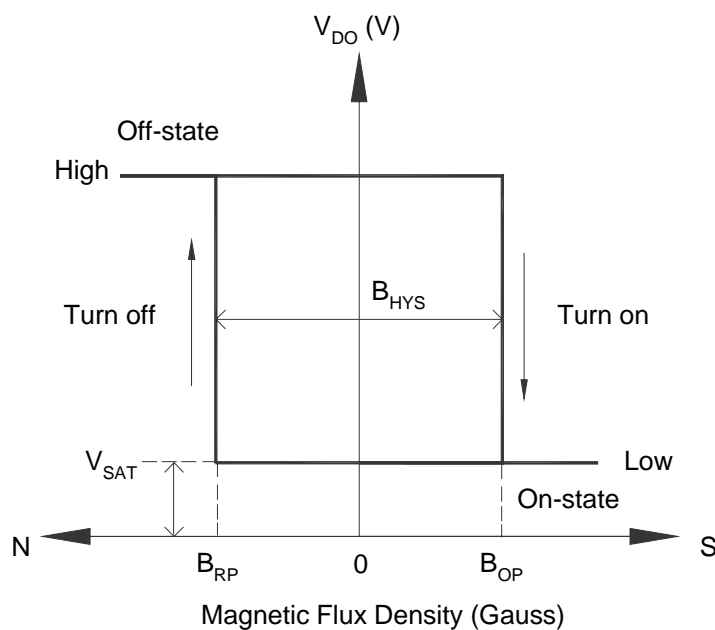
($T_A=25^{\circ}C$, $V_{CC}=24V$, unless otherwise specified)

Parameter	Symbol	Test Condition	Min	Typ	Max	Unit
Low Supply Voltage	V_{CE}	$V_{CC}=5V, I_O=100mA$		0.1	0.3	V
Output Saturation Voltage	V_{SAT1}	$I_O=500mA$		0.5	0.8	V
Output Saturation Voltage	V_{SAT2}	$I_O=300mA$		0.25	0.5	V
Output Leakage Current	I_{OL}	$V_{DO}, V_{DOB}=24V$		0.1	10	μA
Supply Current	I_{CC}	$V_{CC}=24V$, Output Open		12.5	16	mA
Output Rise Time	tr	$R_L=820\Omega, C_L=20pF$		3.0	10	μs
Output Fall Time	tf	$R_L=820\Omega, C_L=20pF$		0.3	1.5	μs
Switch Time Differential	Δt	$R_L=820\Omega, C_L=20pF$		3.0	10	μs
Output Zener Breakdown Voltage	V_{ZO}			60		V

Magnetic Characteristics

($T_A=25^{\circ}C$)

Parameter	Symbol	Grade	Min	Typ	Max	Unit
Operating Point	B_{OP}	A	10		70	Gauss
		B			100	Gauss
Releasing Point	B_{RP}	A	-70		-10	Gauss
		B	-100			Gauss
Hysteresis	B_{HYS}			80		Gauss





HIGH VOLTAGE HALL EFFECT LATCH

AH278

Magnetic Characteristics (Continued)

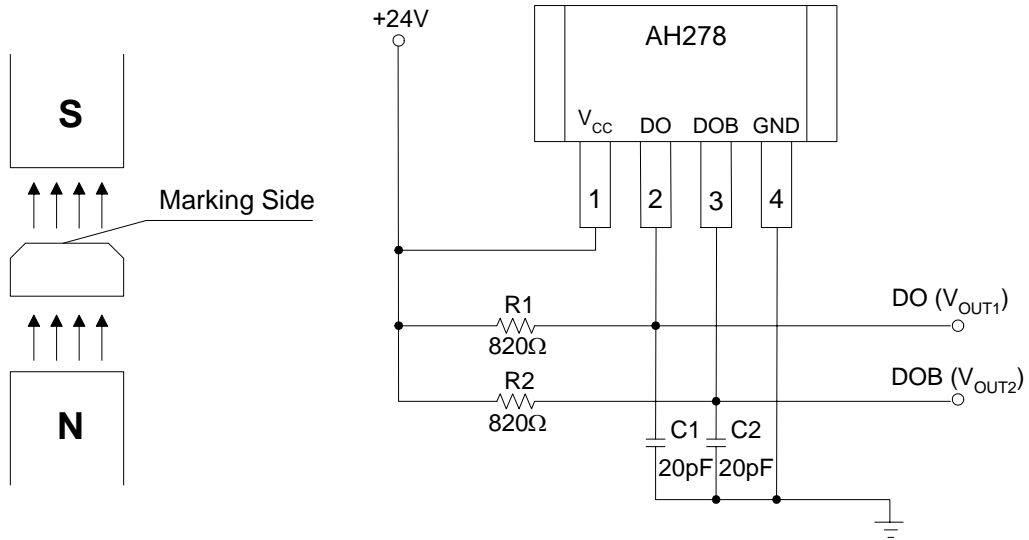


Figure 4. Basic Test Circuit

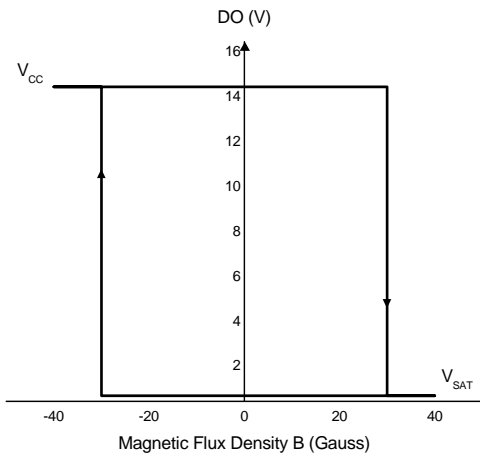


Figure 5. V_{DO} vs. Magnetic Flux Density

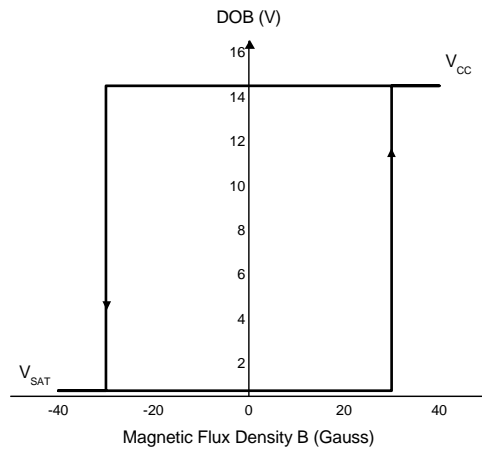


Figure 6. V_{DOB} vs. Magnetic Flux Density



HIGH VOLTAGE HALL EFFECT LATCH

AH278

Typical Performance Characteristics

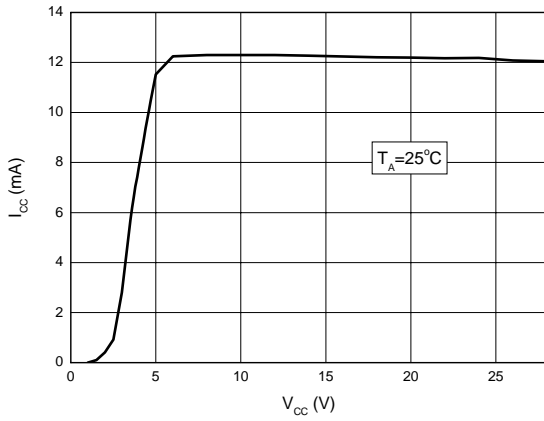


Figure 7. I_{CC} vs. V_{CC}

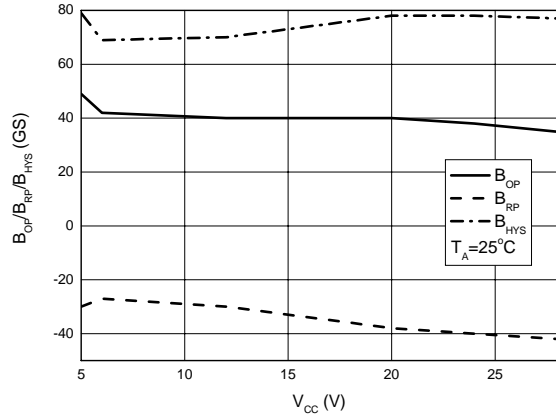


Figure 8. $B_{OP}/B_{RP}/B_{HYS}$ vs. V_{CC}

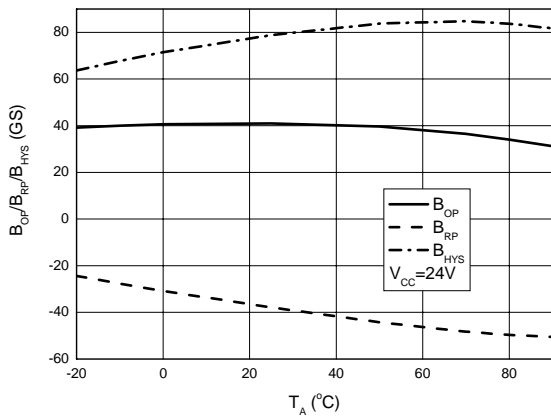


Figure 9. $B_{OP}/B_{RP}/B_{HYS}$ vs. Ambient Temperature

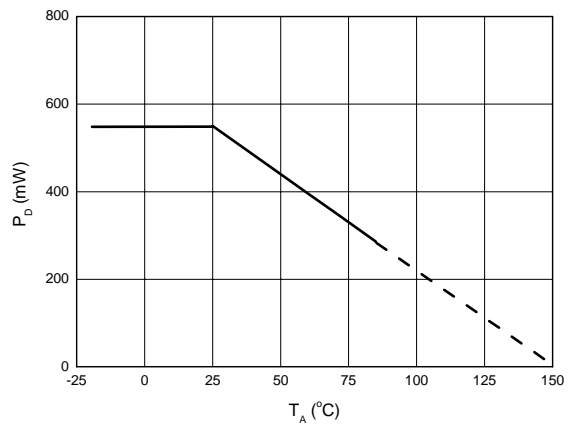


Figure 10. P_D vs. Ambient Temperature



HIGH VOLTAGE HALL EFFECT LATCH

AH278

Typical Performance Characteristics (Continued)

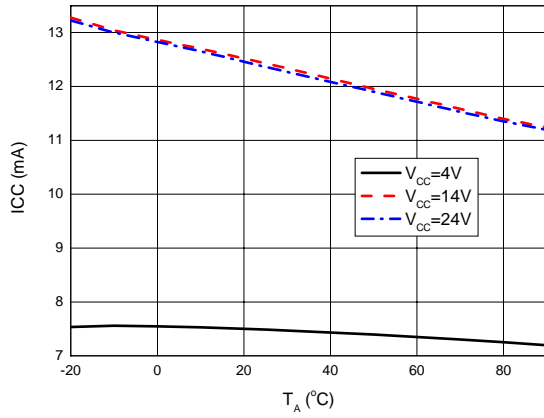


Figure 11. I_{CC} vs. Ambient Temperature

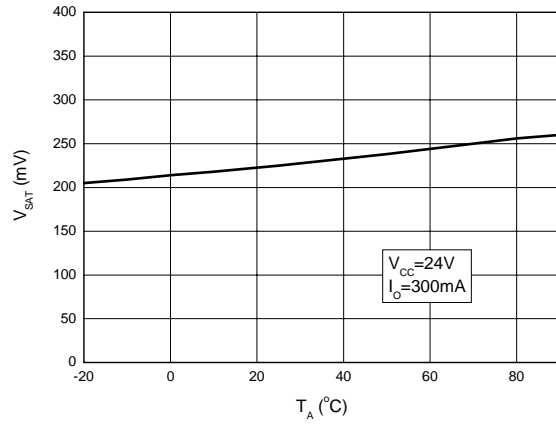


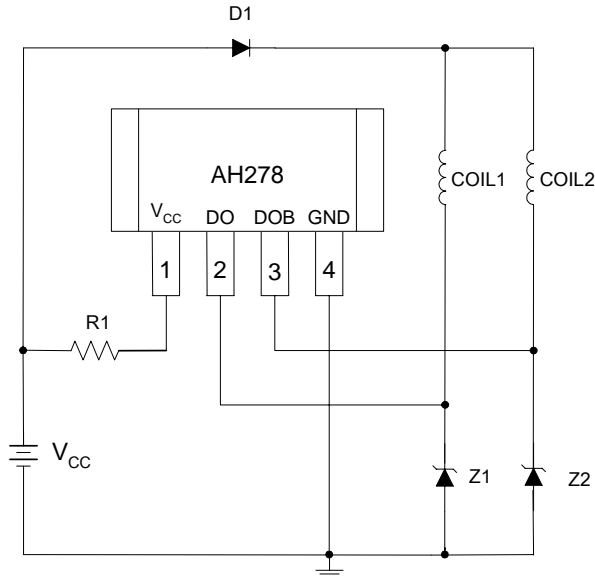
Figure 12. V_{SAT} vs. Ambient Temperature



HIGH VOLTAGE HALL EFFECT LATCH

AH278

Typical Applications



R1: $R1 < (V_{CC} - 5.5V) / 16mA$, 0.5W (Note 3)

Z1, Z2: Zener diode, $2 * V_{CC} \leq V_Z \leq 60V$

Figure 13. Typical Application Circuit with D1

Note 3: Recommended R1 for different V_{CC}

V _{CC} (V)	7	8	9	10	11	12	13	14	15	16	17
R1 (Ω)	0	0	0	0	0	0	470	510	560	620	680
V _{CC} (V)	18	19	20	21	22	23	24	25	26	27	28
R1 (Ω)	750	820	820	910	1k	1k	1.1k	1.2k	1.2k	1.3k	1.3k



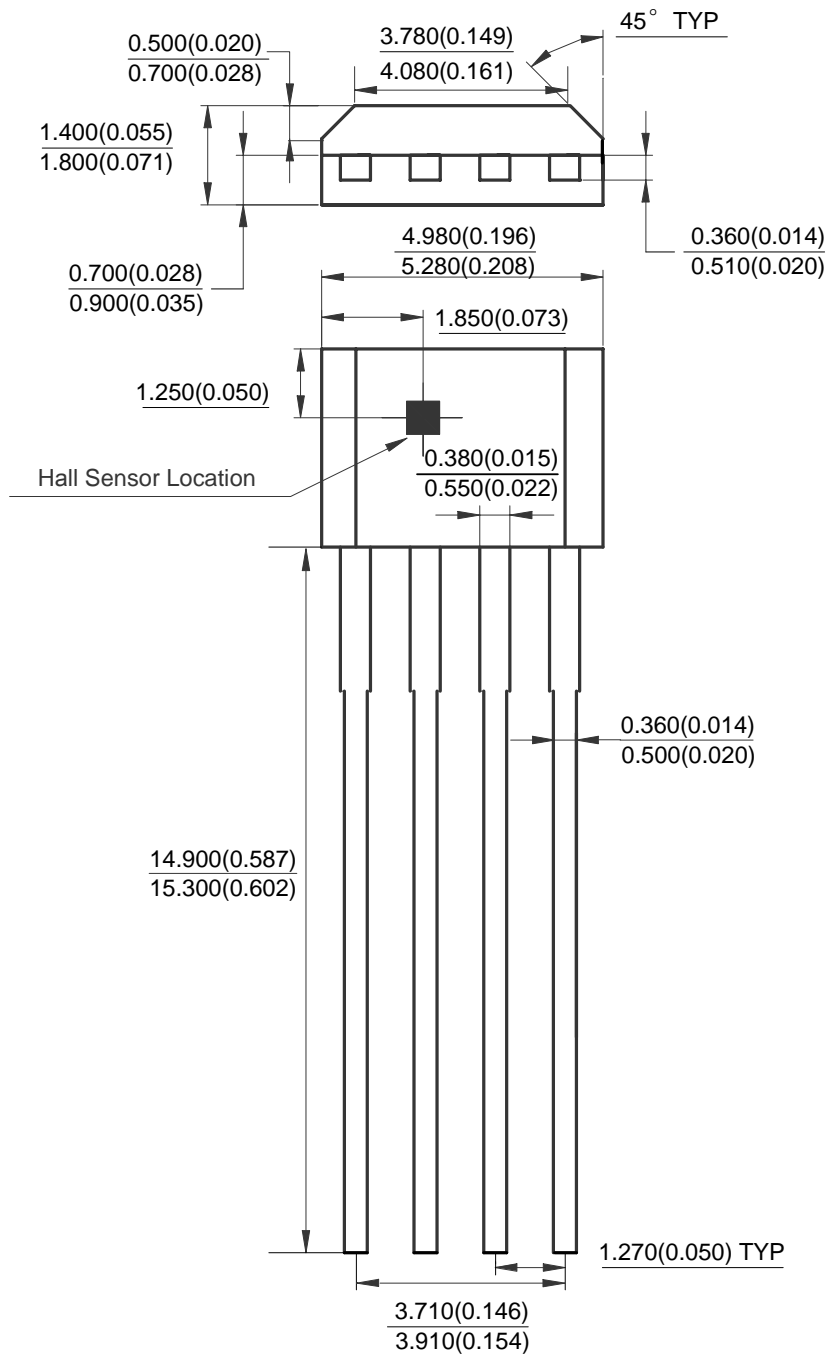
HIGH VOLTAGE HALL EFFECT LATCH

AH278

Mechanical Dimensions

TO-94

Unit: mm(inch)





BCD Semiconductor Manufacturing Limited

<http://www.bcdsemi.com>

IMPORTANT NOTICE

BCD Semiconductor Manufacturing Limited reserves the right to make changes without further notice to any products or specifications herein. BCD Semiconductor Manufacturing Limited does not assume any responsibility for use of any its products for any particular purpose, nor does BCD Semiconductor Manufacturing Limited assume any liability arising out of the application or use of any its products or circuits. BCD Semiconductor Manufacturing Limited does not convey any license under its patent rights or other rights nor the rights of others.

MAIN SITE

BCD Semiconductor Manufacturing Limited

- Wafer Fab

Shanghai SIM-BCD Semiconductor Manufacturing Limited

800, Yi Shan Road, Shanghai 200233, China
Tel: +86-21-6485 1491, Fax: +86-21-5450 0008

BCD Semiconductor Manufacturing Limited

- IC Design Group

Advanced Analog Circuits (Shanghai) Corporation

8F Zone B, 900, Yi Shan Road, Shanghai 200233, China
Tel: +86-21-6495 9539, Fax: +86-21-6485 9673

REGIONAL SALES OFFICE

Shenzhen Office

Shanghai SIM-BCD Semiconductor Manufacturing Co., Ltd. Shenzhen Office

Advanced Analog Circuits (Shanghai) Corporation Shenzhen Office
Room E, 5F, Noble Center, No.1006, 3rd Fuzhong Road, Futian District, Shenzhen 518026, China
Tel: +86-755-8826 7951
Fax: +86-755-8826 7865

Taiwan Office

BCD Semiconductor (Taiwan) Company Limited

4F, 298-1, Rui Guang Road, Nei-Hu District, Taipei, Taiwan
Tel: +886-2-2656 2808
Fax: +886-2-2656 2806

USA Office

BCD Semiconductor Corporation

30920 Huntwood Ave. Hayward, CA 94544, U.S.A
Tel: +1-510-324-2988
Fax: +1-510-324-2788