



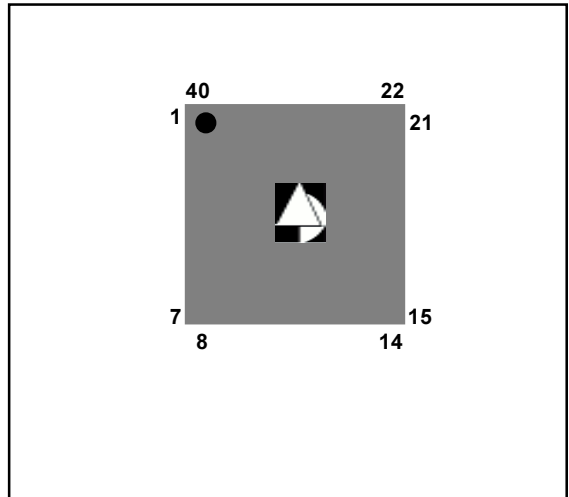
**AIT1000**  
**PicoTuner™**  
Complete Integrated Data Tuner  
Product Brief Rev. 0

**FEATURES**

- Complete Integrated RF Tuner Front End
- Up Converter, Down Converter & Dual PLL Integrated in Package
- No External Components
- No Tuning Required
- -35 dB Gain
- -82 dBc Phase Noise
- Better than -50dBc Image Rejection
- 3w Serial Programming
- Small Footprint, 22mm x 22mm
- Single +5V Supply
- DOCSIS Compliant
- 40 Lead Package
- -40°C to + 85°C

**APPLICATIONS**

- Cable Modems
- CATV Data Tuner
- Set Top Box
- Home Gateway
- PC Add-on Card or Motherboard



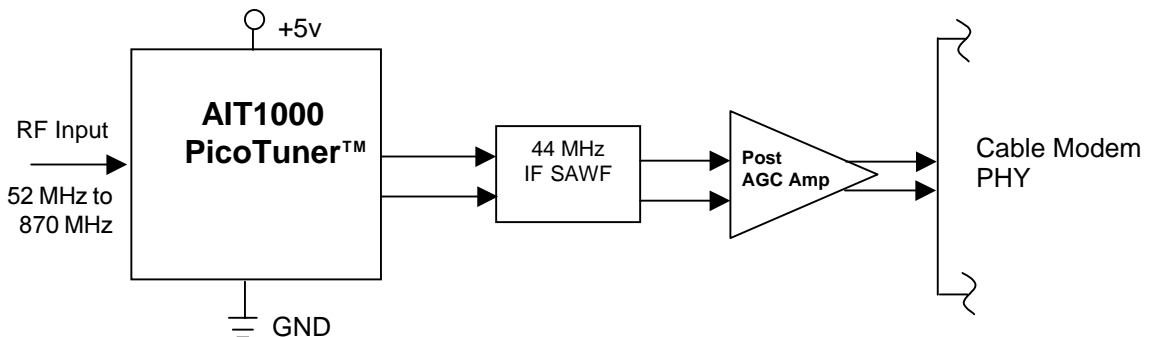
**AIT1000M**  
40 Pin 22x22mm package  
-40°C to + 85°C

**Description**

The AIT1000 PicoTuner™ is a complete integrated data tuner that includes all the necessary circuitry for an RF tuner front end for cable modem applications. The AIT1000 combines GaAs and Silicon CMOS technology to provide an up converter, down converter, dual synthesizer, SAW filter, DC-DC converter, input filter, tuning circuits, and all passive components to facilitate a complete Dual Conversion Tuner architecture.

The AIT1000 is supplied in a 40 lead package and requires a single +5v supply. It is well suited for applications that require a low cost, small size complete RF tuner IC without compromising performance.

**Tuner Downstream Path**



OPERATING CONDITIONS				
PARAMETER	MIN	TYP	MAX	UNIT
Operating Voltage Range	+4.75	+5.0	+5.25	V
Operating Temperature Range	-40		85	°C
O/P Power Level (Uncombined)		-21		dBm
I/P Power Level	-15		+15	dBmV
DC ELECTRICAL CHARACTERISTICS				
PARAMETER	MIN	TYP	MAX	UNIT
Supply Current		350		mA
Power Dissipation		1.75		W
AC ELECTRICAL CHARACTERISTICS ( $V_{CC}=+5.0V$ , $T_A=25^\circ C$ )				
PARAMETER	MIN	TYP	MAX	UNIT
Phase Noise (10kHz offset)		-85	-82	dBc/Hz
Noise Figure		8.5	9.5	dB
Conversion Gain (Uncombined)	32	35	42	dB
AGC Range	30		35	dB
Image Rejection		-54	-50	dBc
CTB		-57	-53	dBc
CSO		-57	-53	dBc
XMOD		-52	-48	dBc



ANADIGICS, Inc.  
 35 Technology Drive  
 Warren, New Jersey 07059  
 Tel: (908) 668-5000  
 Fax: (908) 668-5132

<http://www.anadigics.com>  
[Mktg@anadigics.com](mailto:Mktg@anadigics.com)

#### IMPORTANT NOTICE

ANADIGICS, Inc. reserves the right to make changes to its products or discontinue any product at any time without notice. The Advanced Product data sheets and product specifications contained in this data sheet are subject to change prior to a products formal introduction. The information in this data sheet has been carefully checked and is assumed to be reliable. However, ANADIGICS assumes no responsibility for inaccuracies. ANADIGICS strongly urges customers to verify that the information they are using is current before placing orders.

#### WARNING

ANADIGICS products are not intended for use in life support appliances, devices, or systems. Use of an ANADIGICS product in any such application without written consent is prohibited.