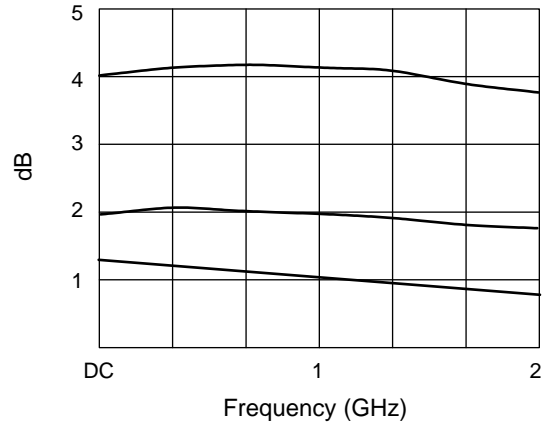
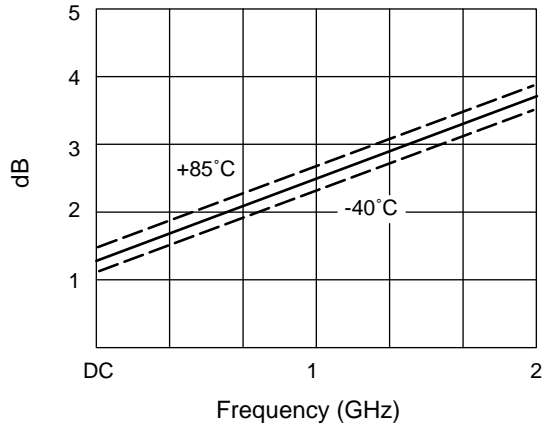


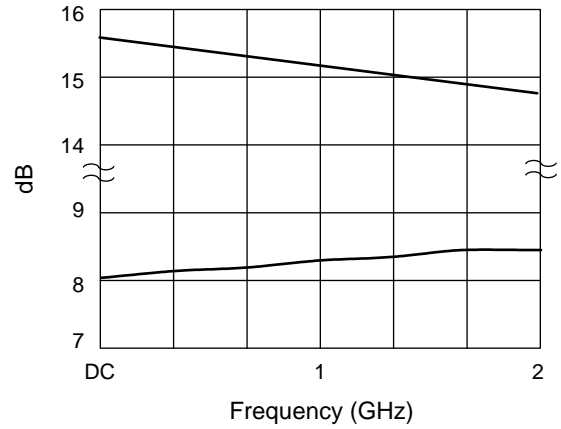
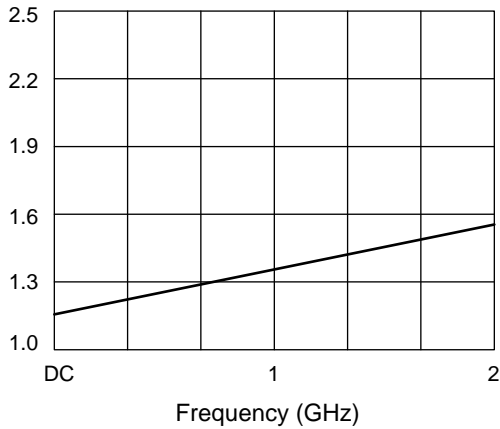


**Typical Performance Data (+5 V, -5 V)**



**Insertion Loss vs. Frequency**

**1, 2, 4 dB Bits vs. Frequency**



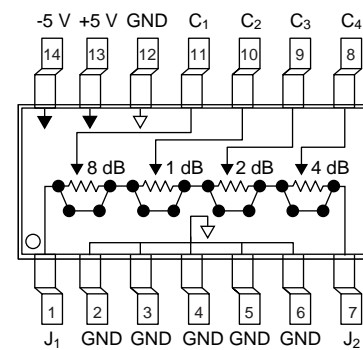
**VSWR vs. Frequency (All States)**

**8, 15 dB Bits vs. Frequency**

**Absolute Maximum Ratings**

Characteristic	Value
RF Input Power	0.5 W > 500 MHz 0.1 W @ 50 MHz
Supply Voltage	+6 V, -6 V
Control Voltage	+6 V
Operating Temperature	0°C to +70°C
Storage Temperature	-65°C to +150°C
$\theta_{JC}$	30°C/W

**Pin Out**



**Truth Table**

C <sub>1</sub>	C <sub>2</sub>	C <sub>3</sub>	C <sub>4</sub>	Attenuation J <sub>1</sub> -J <sub>2</sub>
8 dB	1 dB	2 dB	4 dB	
0	0	0	1	Reference I.L.
0	1	0	1	1 dB
0	0	1	1	2 dB
0	0	0	0	4 dB
1	0	0	1	8 dB
1	1	1	0	15 dB

"0" = 0.0 to 0.2 V, "1" = 4.5 to 5.0 V.