

AK5321024N

1,048,576 Word by 32 Bit CMOS

Dynamic Random Access Memory

DESCRIPTION

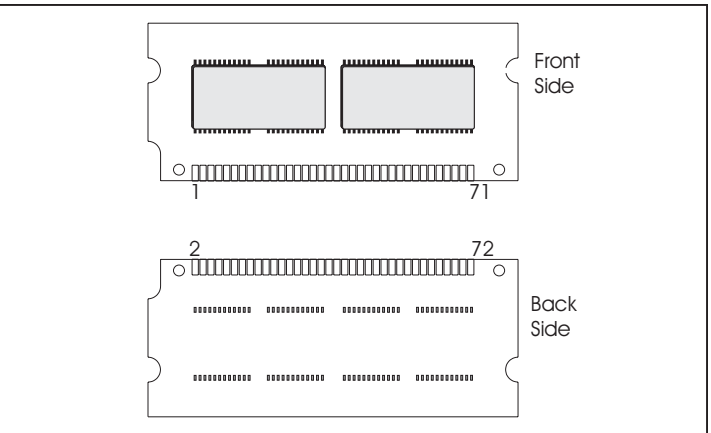
The Accutek AK5321024N high density memory module is a CMOS dynamic RAM organized in 1024K x 32 bit words. The module consists of two standard 1 Meg x 16 DRAMs in plastic TSOP packages. The assembly has 2 drams mounted on the front side of a printed circuit board in a 72 pad leadless Dual Row Sodim configuration.

This configuration allows socket-mounting of large quantities of memory in applications where high density and ease of inserting additional memory are important.

The operation of the AK5321024N is identical to two 1Meg x 16 Drams. There are four $\overline{\text{CAS}}$ lines and two $\overline{\text{RAS}}$ lines. On each bank of 1Meg x 32, independent byte control is accomplished by four $\overline{\text{CAS}}$ lines. Each separate $\overline{\text{CAS}}$ line controls one byte of the 1Meg x 16 Dram. A sixteen bit data path can be produced by connecting DQ_0 to DQ_{16} , DQ_{17} to DQ_{31} etc. and alternately strobing $\overline{\text{RAS}}_0$ with $\overline{\text{RAS}}_2$.

FEATURES

- 1,048,576 x 32 bit organization
- 72 pad Dual Row Sodim Module
- Multiple $\overline{\text{CAS}}$ and $\overline{\text{RAS}}$ lines allow x16 or x32 bit widths
- $\overline{\text{CAS}}$ -before- $\overline{\text{RAS}}$, $\overline{\text{RAS}}$ -only or hidden refresh
- Operating free air temperature 0°C to 70°C
- Single 5 Volt Power Supply
- 1024 Refresh Cycles, 16 mSEC



- Available in Fast Page Mode and Static Column Mode versions
- Power
 - 1.76 Watt Max Active (60nS)
 - 1.65 Watt Max Active (70 nS)
 - 1.54 Watt Max Active (80 nS)
 - 11 mW Max Standby Available

ADDITIONAL OPTIONS AVAILABLE

2 Meg x 32 version, AK5322048N

PIN NOMENCLATURE

DQ ₀ - DQ ₃₁	Data In/Data Out
A ₀ - A ₉	Address Inputs
$\overline{\text{CAS}}_0$ - $\overline{\text{CAS}}_3$	Column Address Strobe
$\overline{\text{RAS}}_0$, $\overline{\text{RAS}}_2$	Row Address Strobe
$\overline{\text{WE}}$	Write Enable
PD ₀ - PD ₆	Presence Detect
V _{cc}	5v Supply
V _{ss}	Ground
NC	No Connect

MODULE OPTIONS

Leadless SODIM: AK5321024N

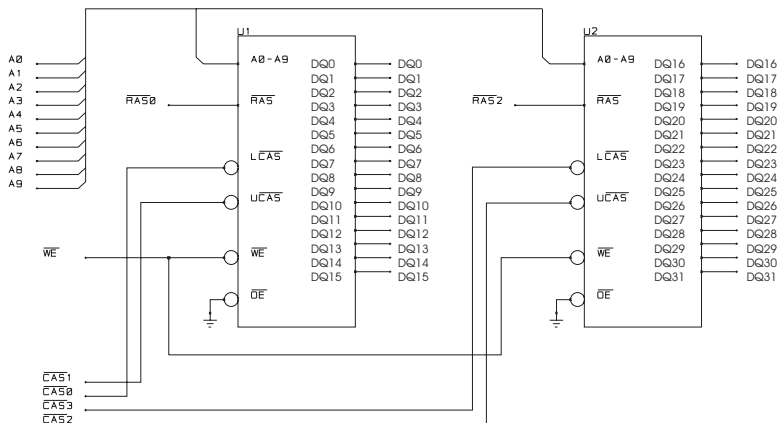
PIN ASSIGNMENT

PIN #	SYMBOL	PIN #	SYMBOL	PIN #	SYMBOL	PIN #	SYMBOL
1	V _{ss}	19	NC	37	DQ16	55	NC
2	DQ0	20	NC	38	DQ17	56	DQ24
3	DQ1	21	DQ8	39	V _{ss}	57	DQ25
4	DQ2	22	DQ9	40	$\overline{\text{CAS}}_0$	58	DQ26
5	DQ3	23	DQ10	41	$\overline{\text{CAS}}_2$	59	DQ28
6	DQ4	24	DQ11	42	$\overline{\text{CAS}}_3$	60	DQ27
7	DQ5	25	DQ12	43	$\overline{\text{CAS}}_1$	61	V _{cc}
8	DQ6	26	DQ13	44	$\overline{\text{RAS}}_0$	62	DQ29
9	DQ7	27	DQ14	45	NC	63	DQ30
10	V _{cc}	28	A7	46	NC	64	DQ31
11	PD0	29	NC	47	$\overline{\text{WE}}$	65	NC
12	A0	30	V _{cc}	48	NC	66	PD1
13	A1	31	A8	49	DQ18	67	PD2
14	A2	32	A9	50	DQ19	68	PD3
15	A3	33	NC	51	DQ20	69	PD4
16	A4	34	$\overline{\text{RAS}}_2$	52	DQ21	70	PD5
17	A5	35	DQ15	53	DQ22	71	PD6
18	A6	36	NC	54	DQ23	72	V _{ss}

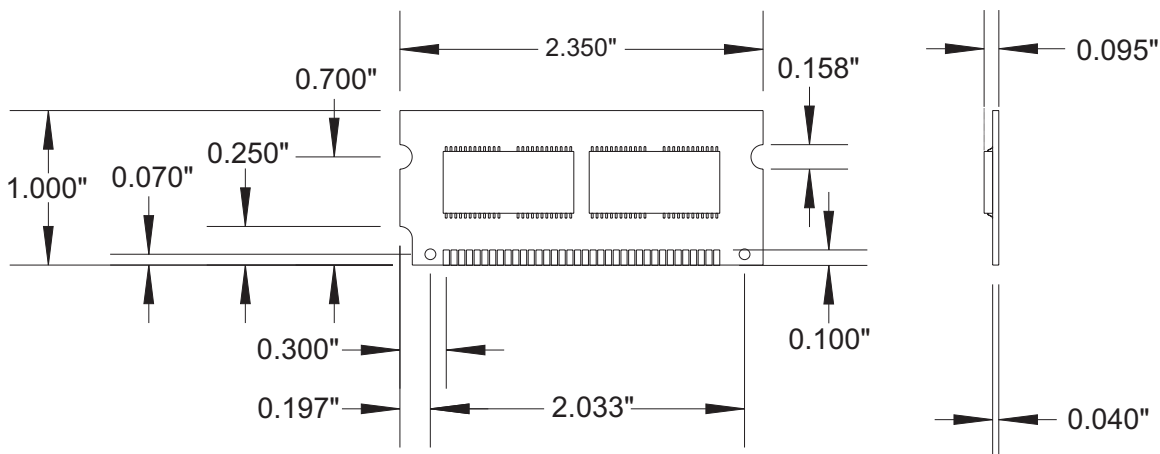
Presence Detect -

Access Time	PD ₀	PD ₁	PD ₂	PD ₃	PD ₄	PD ₅	PD ₆
-60	NC	V _{ss}	V _{ss}	NC	NC	NC	NC
-70	NC	V _{ss}	V _{ss}	NC	V _{ss}	NC	NC

FUNCTIONAL DIAGRAM



MECHANICAL DIMENSIONS



ORDER INFORMATION

PART NUMBER CODING INTERPRETATION

Position	1	2	3	4	5	6	7	8
1 Product	AK = Accutek Memory							
2 Type	4 = Dynamic RAM 5 = CMOS Dynamic RAM 6 = Static RAM							
3 Organization/Word Width	1 = by 1 16 = by 16 4 = by 4 32 = by 32 8 = by 8 36 = by 36 9 = by 9							
4 Size/Bits Depth	64 = 64K 4096 = 4 MEG 256 = 256K 8192 = 8 MEG 1024 = 1 MEG 16384 = 16 MEG							

The numbers and coding on this page do not include all variations available, but are shown as examples of the most widely used variations. Contact Accutek if other information is required.

Position

1 2 3 4 5 6 7 8

- 5 Package Type**
 - G = Single In-Line Package (SIP)
 - S = Single In-Line Module (SIM)
 - D = Dual In-Line Package (DIP)
 - W = .050 inch Pitch Edge Connect
 - N = Dual Row SODim
 - Z = Zig-Zag In-Line Package (ZIP)
- 6 Special Designation**
 - P = Page Mode
 - N = Nibble Mode
 - K = Static Column Mode
 - W = Write Per Bit Mode
 - V = Video Ram
- 7 Separator**
 - = Commercial 0°C to +70°C
 - M = Military Equivalent Screened (-55°C to +125°C)
 - I = Industrial Temperature Tested (-45°C to +85°C)
 - X = Burned In
- 8 Speed (first two significant digits)**

DRAMS	SRAMS
60 = 60 nS	12 = 12 nS
70 = 70 nS	15 = 15 nS
80 = 80 nS	20 = 20nS



5 NEW PASTURE ROAD
NEWBURYPORT, MA 01950-4040
PHONE: 978-465-6200 FAX: 978-462-3396
Email: sales@accutekmicro.com
Internet: www.accutekmicro.com

Accutek reserves the right to make changes in specifications at any time and without notice. Accutek does not assume any responsibility for the use of any circuitry described; no circuit patent licenses are implied. Preliminary data sheets contain minimum and maximum limits based upon design objectives, which are subject to change upon full characterization over the specific operating conditions.