



AKD4392-SB

AK4392 Sound quality evaluation board Rev.0

General Description

AKD4392-SB is an evaluation board for AK4392 corresponding to DVD-Audio, which is 32Bit DAC. The AKD4392-SB includes a LPF which can add differential analog outputs from the AK4392 and also has a digital interface. Therefore, it is easy to evaluate sound quality of the AK4392.

■ Ordering Guide

AKD4392-SB --- Sound quality evaluation board for AK4392

Function

- On-board Analog output buffer circuit
- On-board digital audio interface. (AK4115)

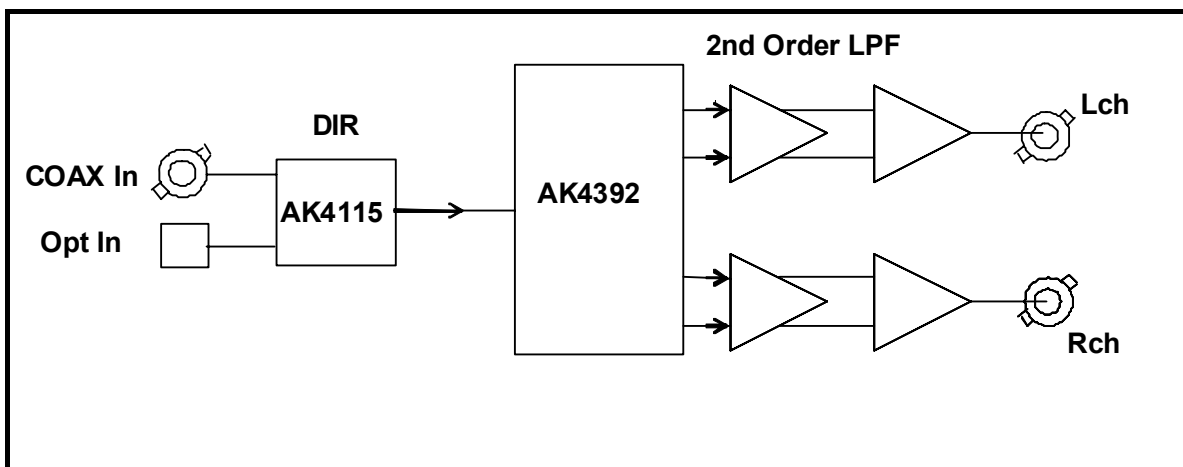


Figure 1. Block diagram

* Circuit diagram are attached at the end of this manual.

COAX is recommended for an evaluation of the Sound quality.

■ Operation sequence

1) Set up the power supply lines. (See “Other jumpers set-up”.)

Name	Color	Voltage	Comments	Attention
+15V	Red	+12~+15V	Regulator, Power supply for Op-amp.	This jack is always needed. Power line
-15V	Blue	-12~-15V	Power supply for Op-amp.	This jack is always needed. Power line
AGND	Black	0V	GND	This jack is always needed.

Table 1. Set up of power supply lines

Each supply line should be distributed from the power supply unit.

2) Set-up the jumper pins

3) Set-up the DIP switches. (See the followings.)

4) Power on

The AK4392 should be reset once bringing SW3 (PDN) “L” upon power-up.

■ Evaluation mode

1. DIR(COAX) (default)

The DIR generates MCLK, BICK and LRCK SDATA from the received data through BNC connector (J7). It is possible for the evaluation using such as CD test disk.

Setting: R87 = open; R88 = short (0Ω)

COAX is recommended for an evaluation of the Sound quality.

2. DIR(Optical)

The DIR generates MCLK, BICK and LRCK SDATA from the received data through Optical connector (PORT2). It is possible for the evaluation using such as CD test disk.

Setting: R87 = short (0Ω); R88 = open

3. All clocks are fed through the PORT1.

Setting:

-R54, R55, R56, R58 = open

-R50, R51, R52 = 100Ω; R53 = 5.1Ω

■ DIP Switch setting

[SW1]: AK4115 setting

No.	Pin	L	H	Default
1	OCKS1	Master Clock setting of AK4115		H
2	OCKS0	Refer to Table 4		L

Table 2. SW1 setting

[SW2]: AK4392 setting

No.	Pin	L	H	Default
1	-	-	-	-
2	P/S	Serial mode	Parallel mode	L

Table 3. SW2 setting

The frequency of the master clock output is set by OCKS0 and OCKS1 as shown in Table 4.

OCKS1	OCKS0	MCLK Frequency
L	L	256fs @fs=88.2/96kHz
H	L	512fs @fs=32/44.1/48kHz
H	H	128fs @fs=176.4/192kHz

(Default)

Table 4. MCLK Clock

■ SW3 setting

[SW3](PDN): Reset of AK4392. Select "H" during operation.

■ External Analog Circuit

The differential output circuit and LPF is implemented on board. The differential outputs of AK4392 is buffered by non-inverted circuit(2nd order LPF, fc=106.4k, Q=0.698, G=+3.9dB). LPF adds differential outputs(1st order LPF, fc=284k, G=-0.84dB). LME49710NA is used for op-amp on this board that has low noise and high voltage torelance characteristics. Analog signal is output via BNC connectors on the board. The output level is about 2.8Vrms (typ@VREF=5.0V) by BNC.

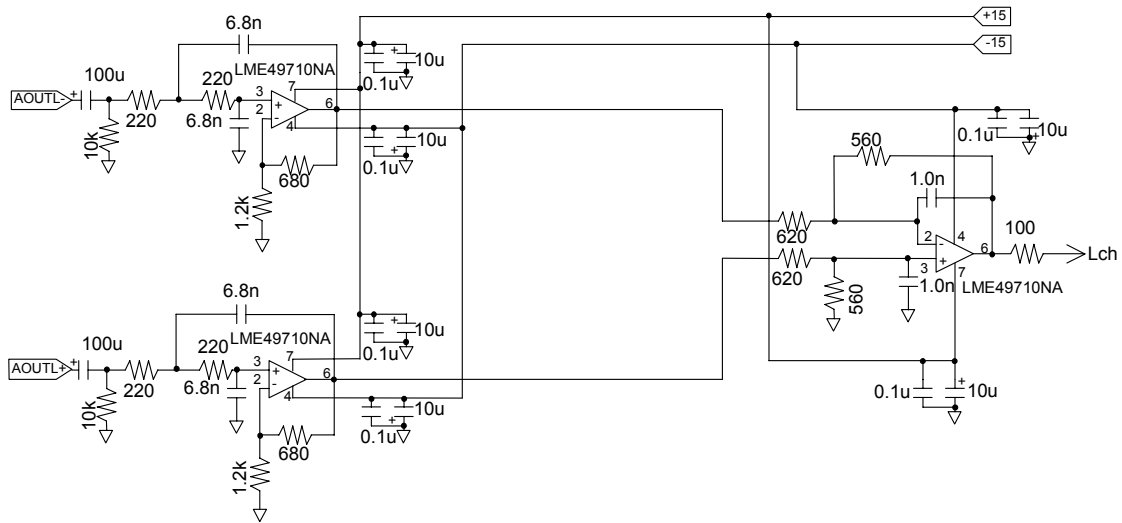


Figure 2. External Analog Filter

AKD4392-SB Filter	40kHz (Double)	80kHz (quad)
Internal Filter	-0.3dB	-1dB
External LPF	-0.12dB	-1.3dB
Total	-0.42dB	-2.3dB

This table shows typical value.

Table 5. Frequency Responses

Control Software Manual

■ Evaluation Board and Control Soft Settings

1. Set an evaluation board properly.
2. Connect the evaluation board to an IBM PC/AT compatible PC by a 10wire flat cable. Be aware of the direction of the 10pin header. When running this control soft on the Windows 2000/XP, the driver which is included in the CD must be installed. Refer to the "Driver Control Install Manual for AKM Device Control Software" for installing the driver. When running this control soft on the windows 95/98/ME, driver installing is not necessary. This control soft does not support the Windows NT.
3. Proceed evaluation by following the process below.

■ Operation Overview

Function, register map and testing tool can be controlled by this control soft. These controls are selected by upper tabs.

Buttons which are frequently used such as register initializing button “Write Default”, are located outside of the switching tab window. Refer to the “■ Dialog Boxes” for details of each dialog box setting.

1. [Port Reset]: For when connecting to USB I/F board (AKDUSBIF-A)
 Click this button after the control soft starts up when connecting USB I/F board (AKDUSBIF-A).
2. [Write Default]: Register Initializing
 When the device is reset by a hardware reset, use this button to initialize the registers.
3. [All Write]: Executing write commands for all registers displayed.
4. [Save]: Saving current register settings to a file.
5. [Load]: Executing data write from a saved file.
6. [Data R/W]: “Data R/W” dialog box is popped up.

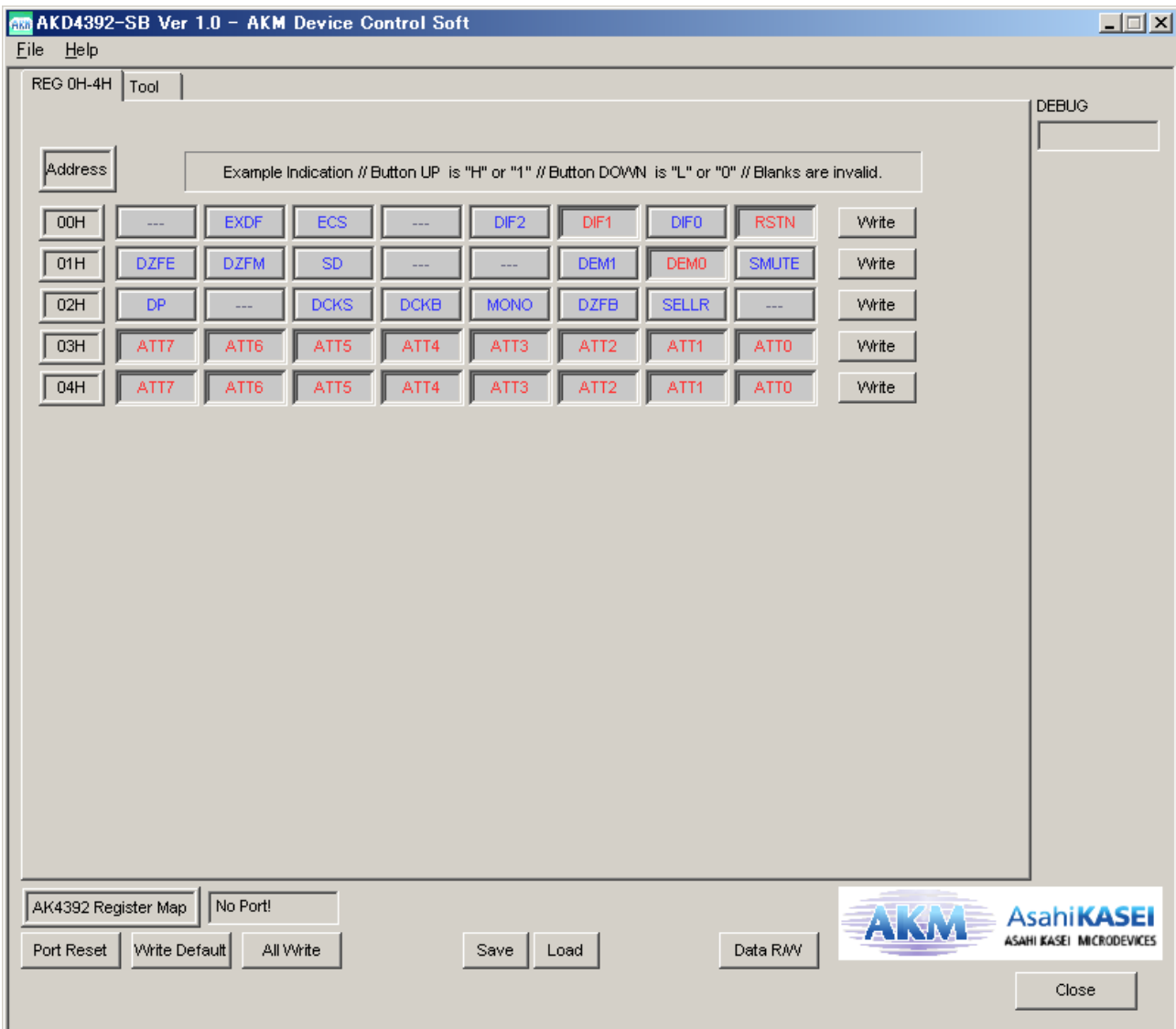


Figure 3. Window of [FUNCTION]

■Dialog Boxes

[Data R/W]: Data R/W Dialog Box

Click the [Data R/W] button in the main window for data write dialog box.
Data write is available to specified address.

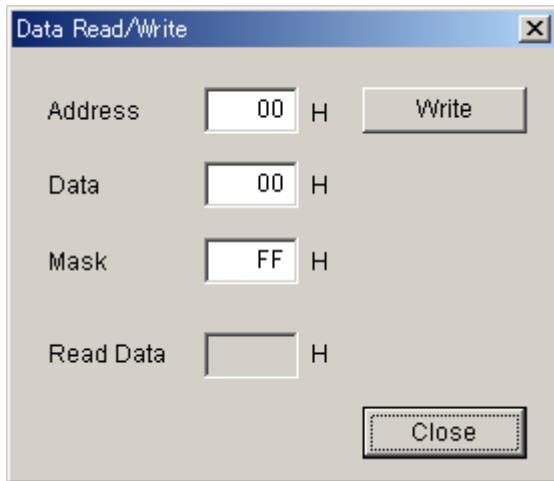


Figure 4. Window of [Data R/W]

Address Box: Input data address in hexadecimal numbers for data writing.

Data Box: Input data in hexadecimal numbers.

Mask Box: Input mask data in hexadecimal numbers.

This is “AND” processed input data.

[Write]: Writing to the address specified by “Address” box.

[Close]: Closing the dialog box and finish the process.

Data writing can be cancelled by this button instead of [Write] button.

*The register map will be updated after executing [Write] or [Read] commands.

1.[REG]: Register Map

This tab is for a register writing and reading.

Each bit on the register map is a push-button switch.

Button Down indicates “H” or “1” and the bit name is in red (when read only it is in deep red).

Button Up indicates “L” or “0” and the bit name is in blue (when read only it is in gray)

Grayout registers are Read Only registers. They can not be controlled.

The registers which is not defined in the datasheet are indicated as “---”.

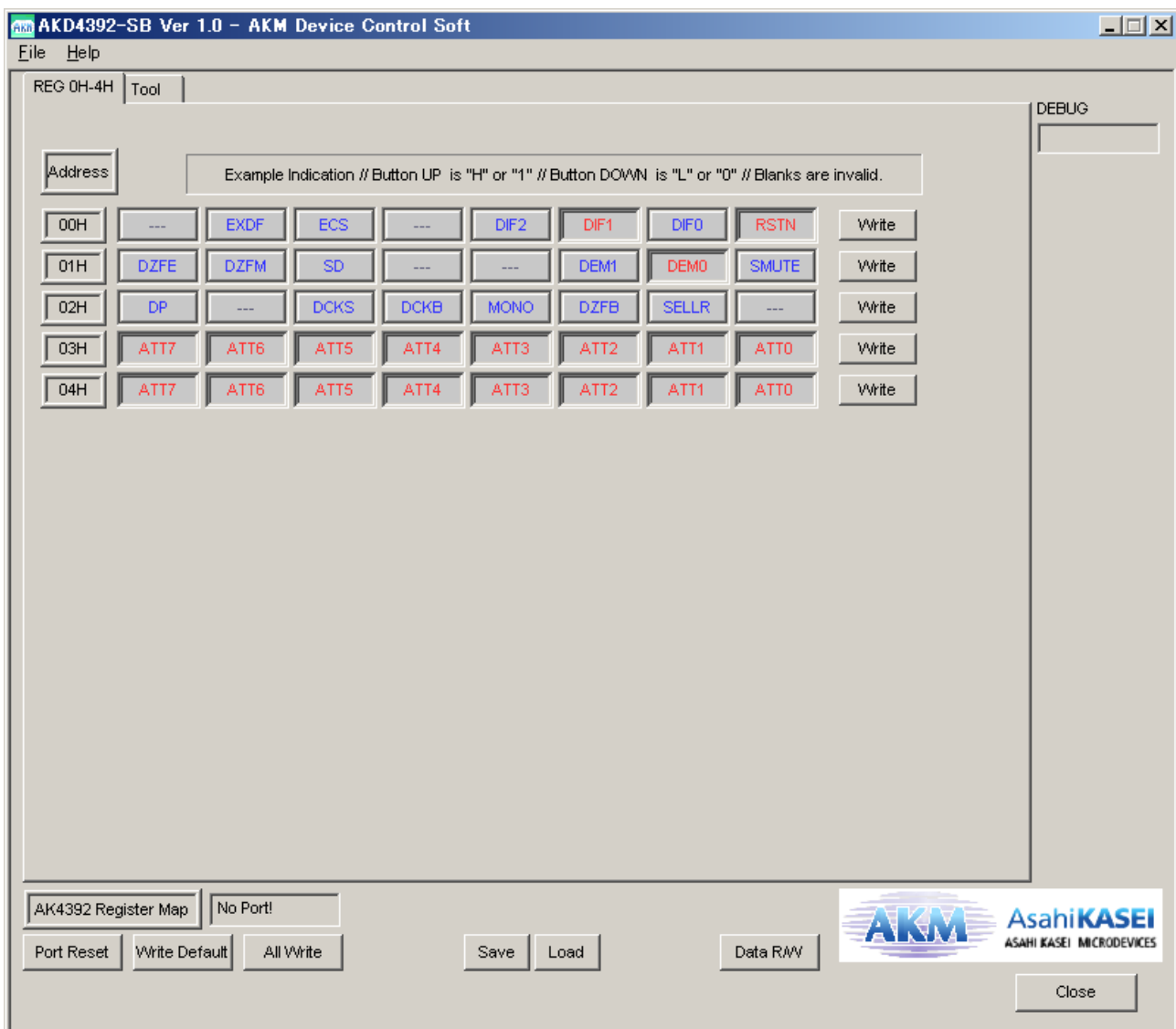


Figure 5. Window of [REG]

[Write]: Data Writing Dialog

It is for when changing two or more bits on the same address at the same time.

Click [Write] button located on the right of the each corresponded address for a pop-up dialog box.

When checking the checkbox, the register will be “H” or “1”, when not checking the register will be “L” or “0”.
Click [OK] to write setting value to the registers, or click [Cancel] to cancel this setting.

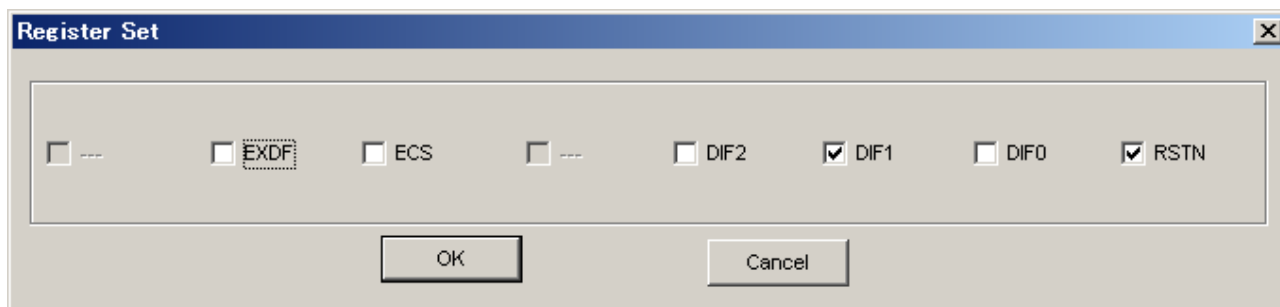


Figure 6. Window of [Register Set]

2. [Tool]: Testing Tools

This tab screen is for evaluation testing tool.
Click buttons for each testing tool.

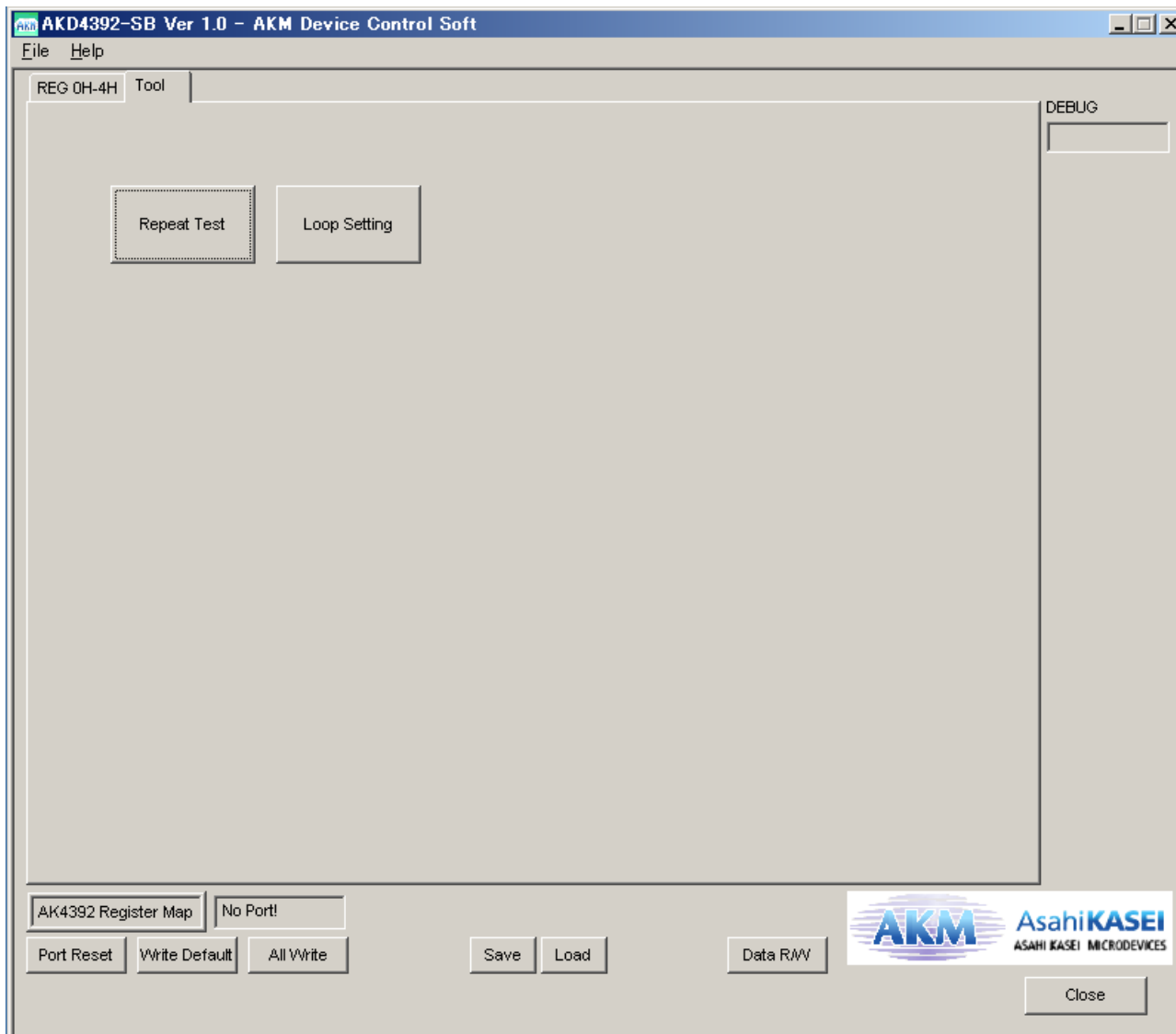


Figure 7. Window of [Tool]

[Repeat Test]: Repeat Test Dialog

Click [Repeat Test] button to open repeat test setting dialog box.

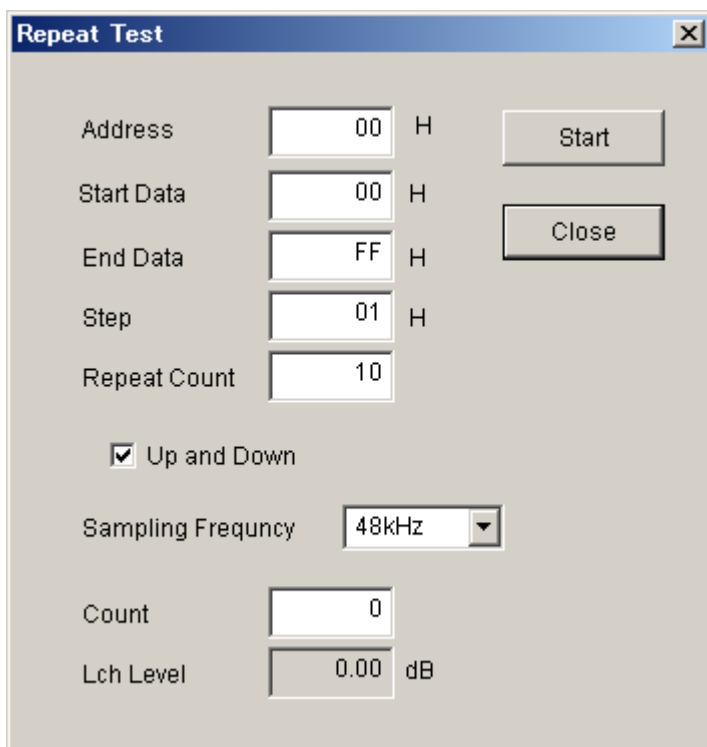


Figure 8. Window of [Repeat Test]

[Loop Setting]: Loop Setting Dialog

Click [Loop Setting] button to open loop setting dialog box.

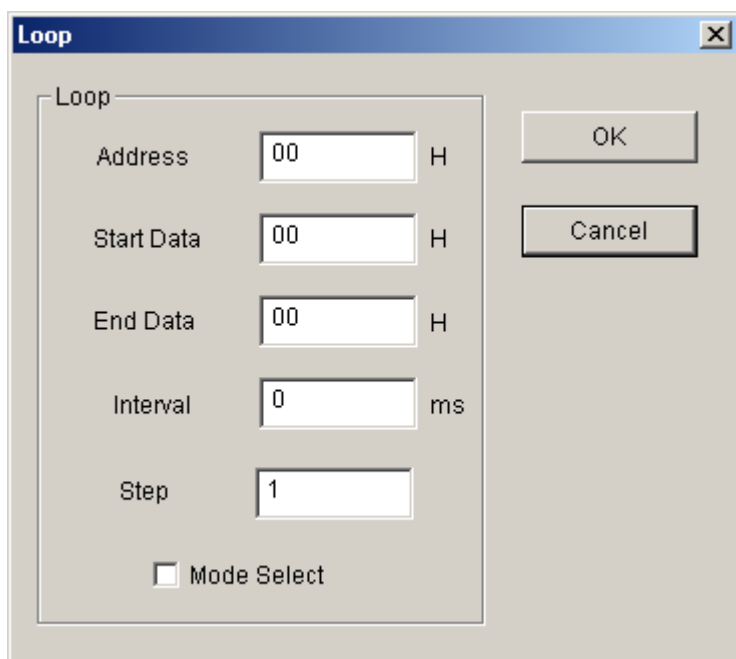


Figure 9. Window of [Loop]

Measurement Results

[Measurement condition]

- Measurement unit : Audio Precision System two Cascade (AP2)
- MCLK : 512fs (44.1kHz), 256fs (96kHz), 128fs (192kHz)
- BICK : 64fs
- fs : 44.1kHz, 96kHz, 192kHz
- Bit : 24bit
- Power Supply : AVDD= DVDD=5V
- Interface : Internal DIR (44.1kHz, 96kHz, 192kHz)
- Temperature : Room
- Operational Amplifiers : LME49710NA

fs=44.1kHz

Parameter	Input signal	Measurement filter	Results	
			Lch	Rch
S/(N+D)	1kHz, 0dB	20kLPF	101.7 dB	103.0 dB
DR	1kHz, -60dB	22kLPF, A-weighted	118.8 dB	119.0 dB
S/N	"0" data	22kLPF, A-weighted	119.0 dB	119.0 dB

fs=96kHz

Parameter	Input signal	Measurement filter	Results	
			Lch	Rch
S/(N+D)	1kHz, 0dB	40kLPF	101.0 dB	102.2 dB
DR	1kHz, -60dB	40kLPF	116.7 dB	116.8 dB
		22kLPF, A-weighted	118.8 dB	118.7 dB
S/N	"0" data	40kLPF	116.9 dB	116.9 dB
		22kLPF, A-weighted	119.0 dB	119.0 dB

fs=192kHz

Parameter	Input signal	Measurement filter	Results	
			Lch	Rch
S/(N+D)	1kHz, 0dB	40kLPF	101.0 dB	102.3 dB
DR	1kHz, -60dB	40kLPF	116.3 dB	116.3 dB
		22kLPF, A-weighted	118.2 dB	118.2 dB
S/N	"0" data	40kLPF	116.9 dB	116.8 dB
		22kLPF, A-weighted	119.0 dB	119.0 dB

Plots

(fs=44.1kHz)

AKM

AK4392 FFT
AVDD=DVDD=5V, fs=44.1kHz, 0dBFS Input

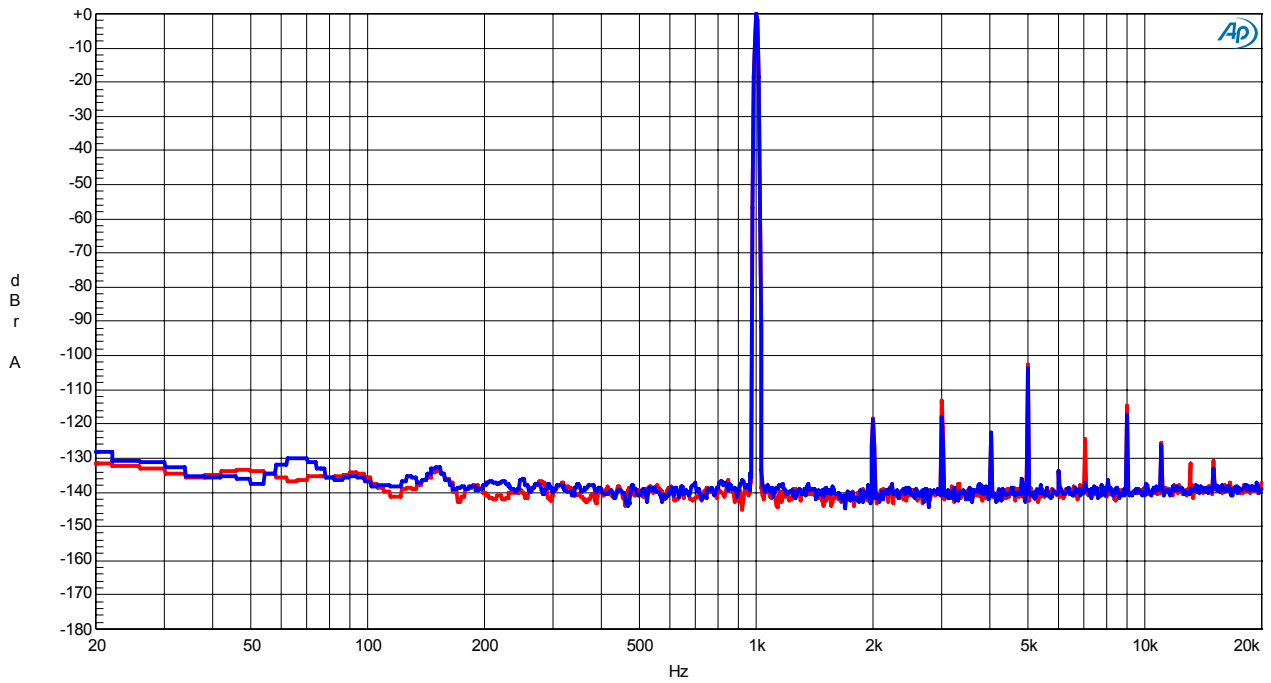


Figure 10. FFT (fin=1kHz, Input Level=0dBFS)

AKM

AK4392 FFT
AVDD=DVDD=5V, fs=44.1kHz, -60dBFS Input

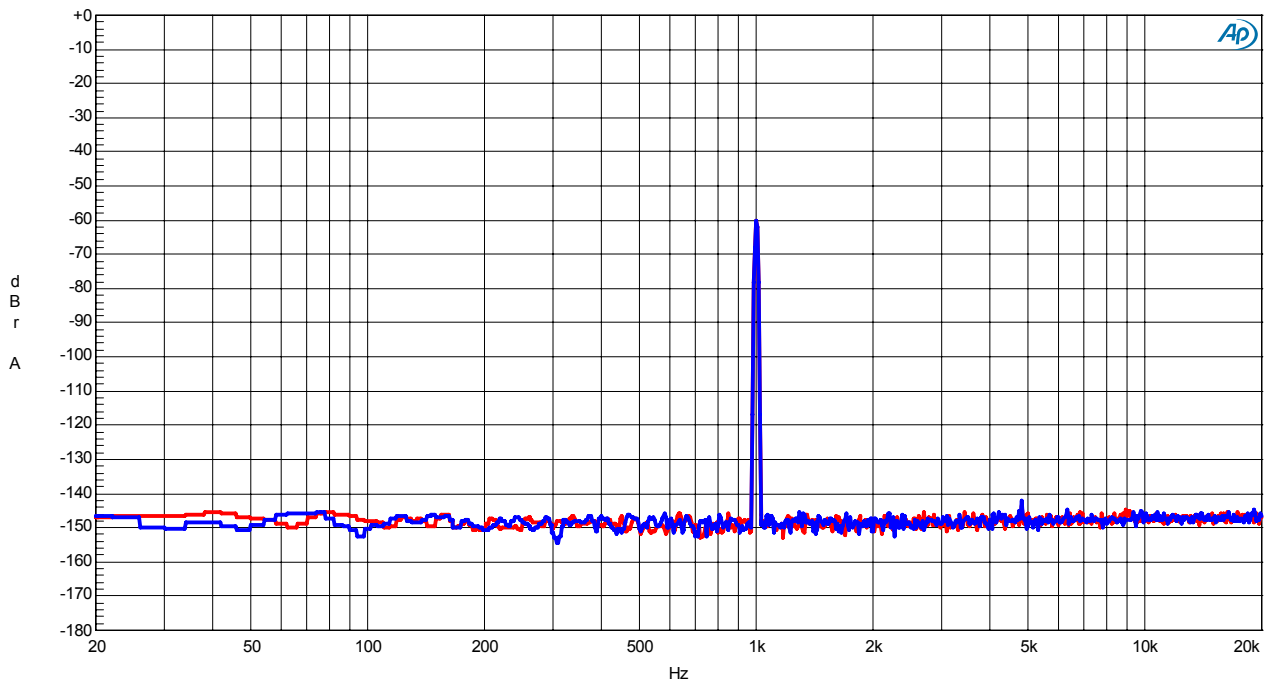


Figure 11. FFT (fin=1kHz, Input Level=-60dBFS)

(fs=44.1kHz)

AKM

AK4392 FFT
AVDD=DVDD=5V, fs=44.1kHz, No signal Input

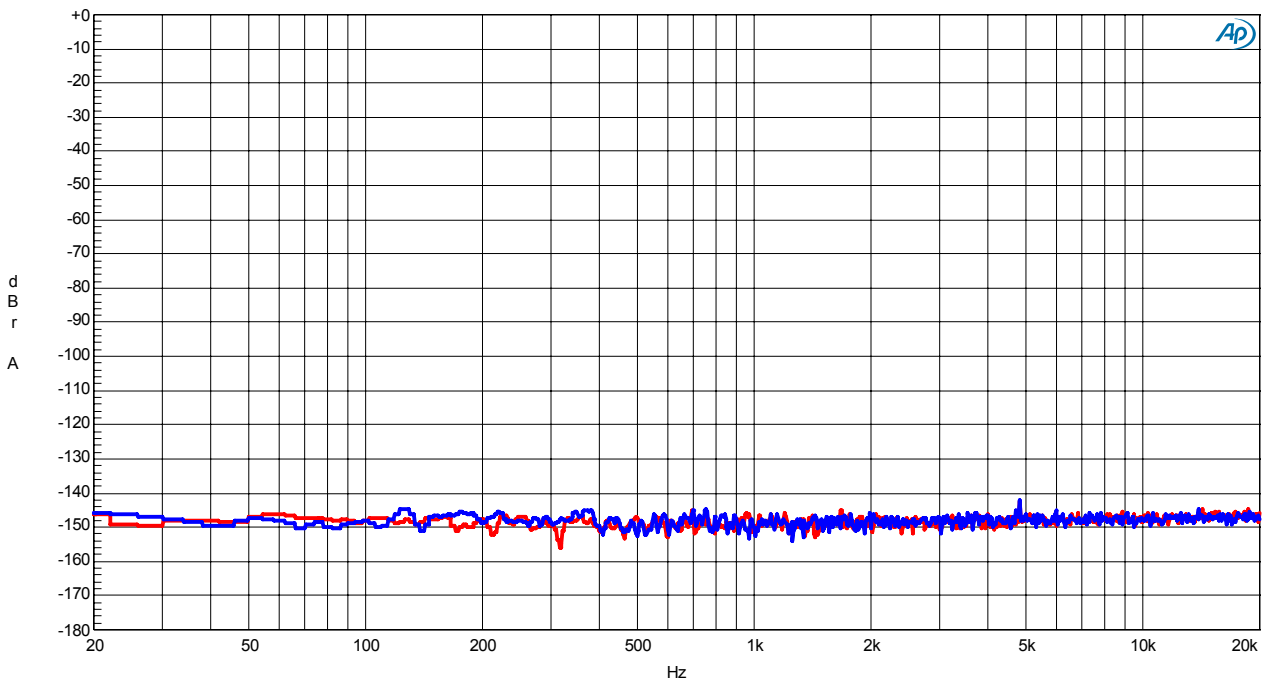


Figure 12. FFT (Noise Floor)

AKM

AK4392 FFT Out of band noise
AVDD=DVDD=5V, fs=44.1kHz, No signal Input

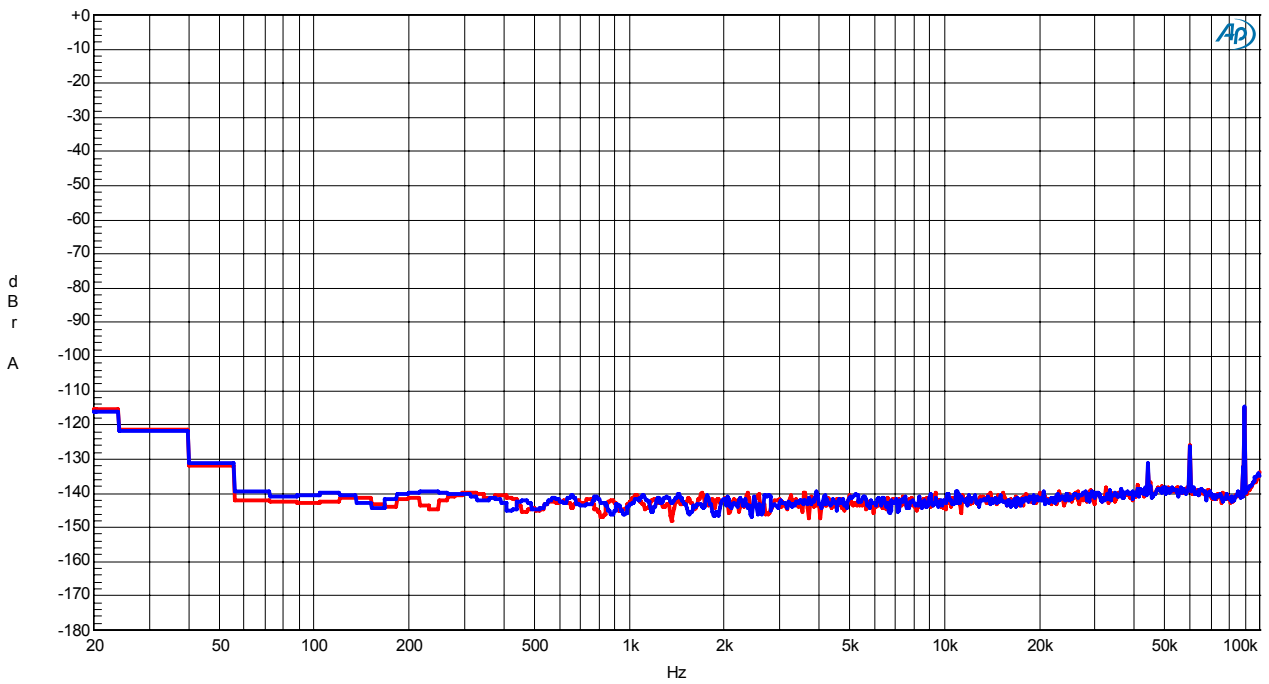


Figure 13. FFT (Out of band noise)

(fs=44.1kHz)

AKM

AK4392 THD+N vs. Input Level
AVDD=DVDD=5V, fs=44.1kHz, fin=1kHz

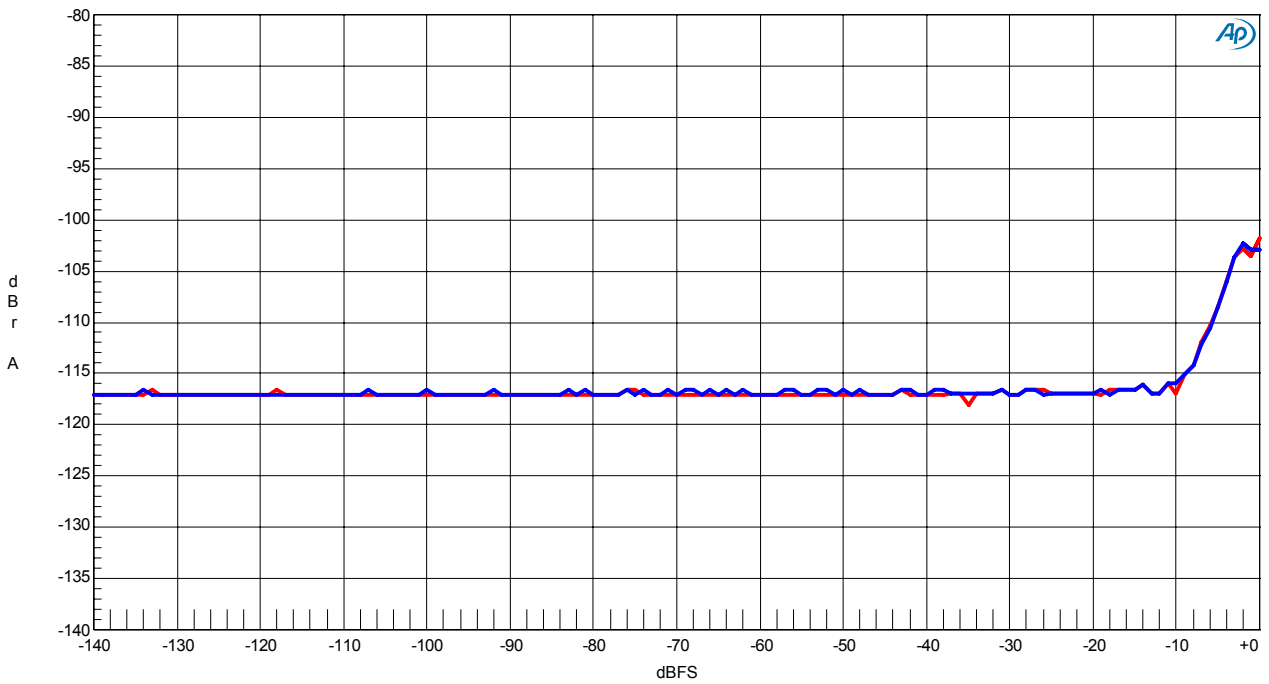


Figure 14. THD+N vs. Input level (fin=1kHz)

AKM

AK4392 THD+N vs. Input Frequency
AVDD=DVDD=5V, fs=44.1kHz, 0dBFS Input

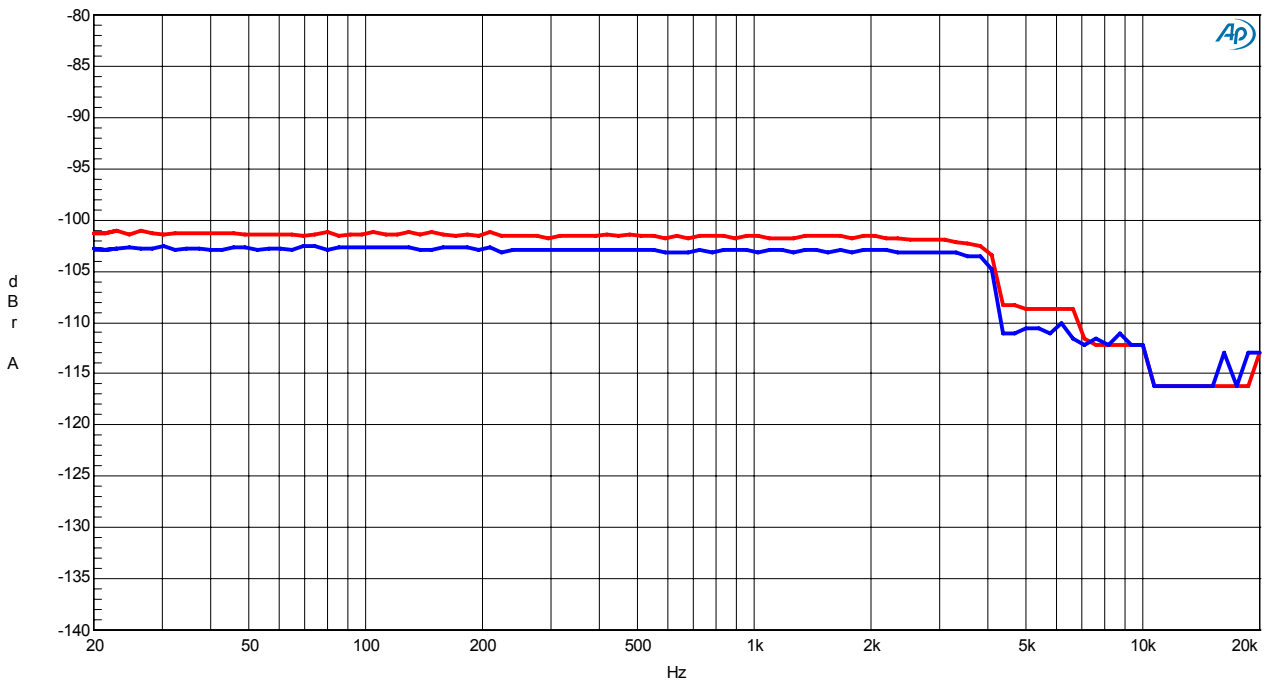


Figure 15. THD+N vs. Input Frequency (Input level=0dBFS)

(fs=44.1kHz)

AKM

AK4392 Linearity
AVDD=DVDD=5V, fs=44.1kHz, fin=1kHz

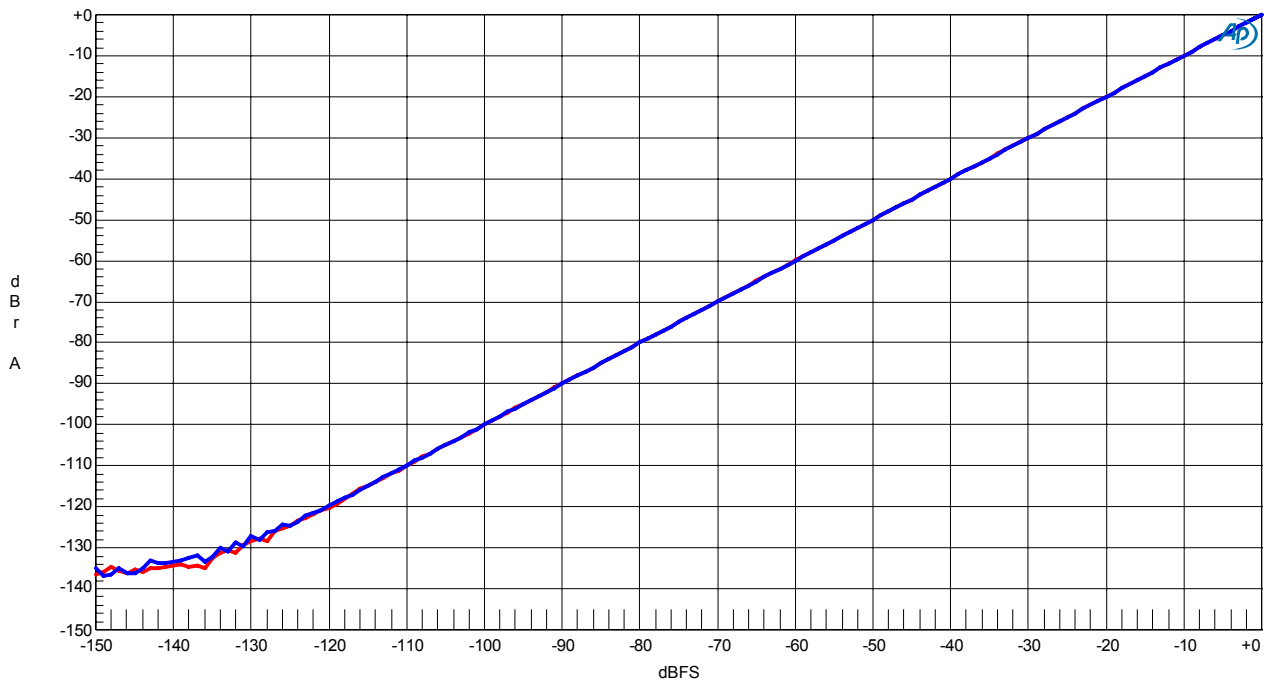


Figure 16. Linearity (fin=1kHz)

AKM

AK4392 Frequency Response
AVDD=DVDD=5V, fs=44.1kHz, 0dBFS Input

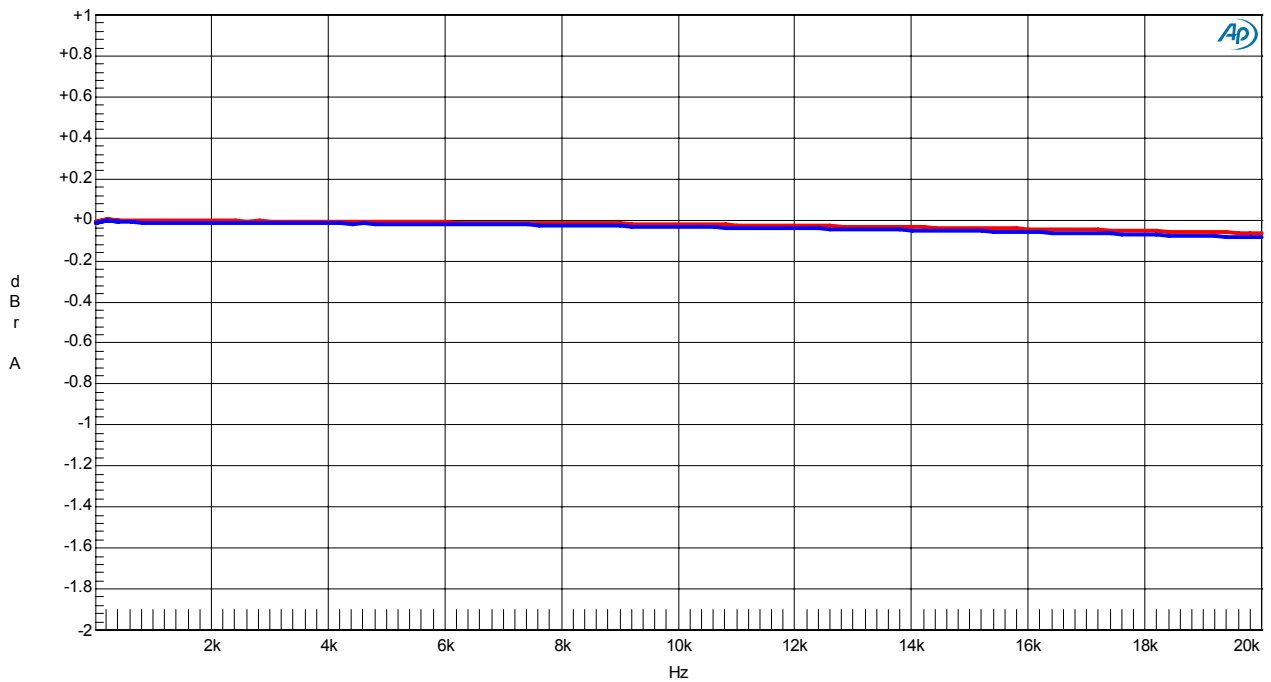


Figure 17. Frequency Response (Input level=0dBFS)

(fs=44.1kHz)

AKM

AK4392 Crosstalk (Red=Lch, Blue=Rch)
AVDD=DVDD=5V, fs=44.1kHz, 0dBFS Input

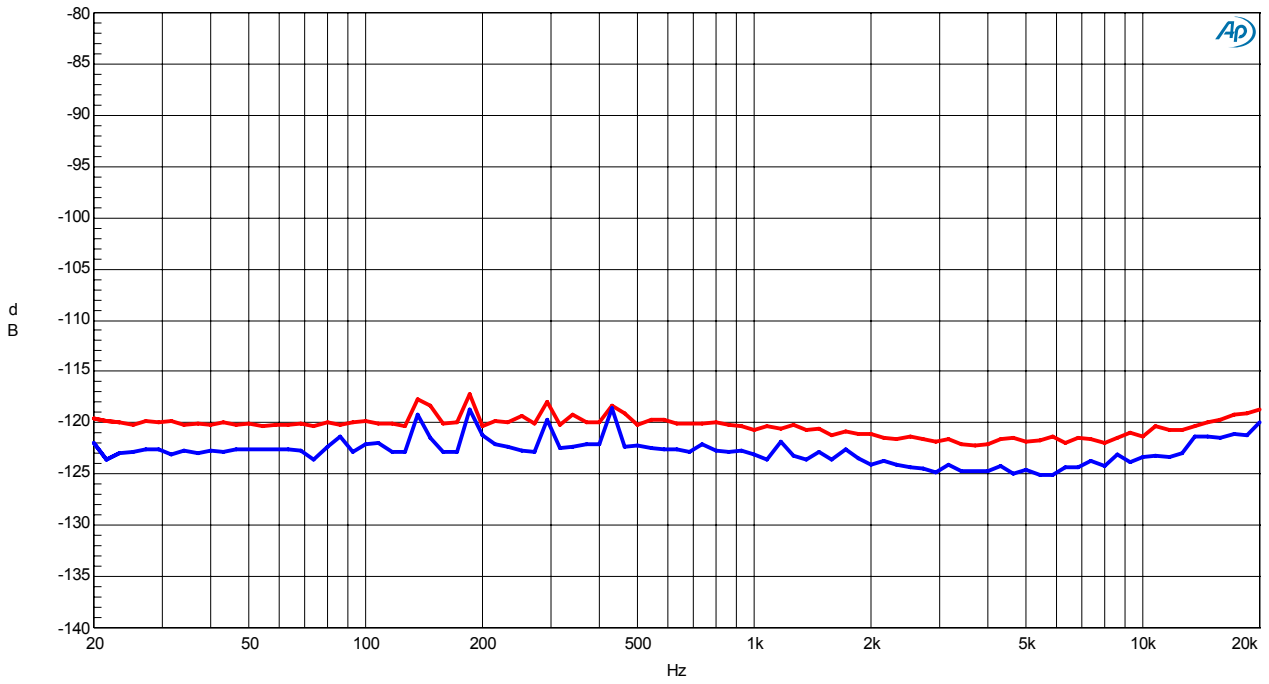


Figure 18. Crosstalk (Input level=0dBFS)

(fs=96kHz)

AKM

AK4392 FFT
AVDD=DVDD=5V, fs=96kHz, 0dBFS Input

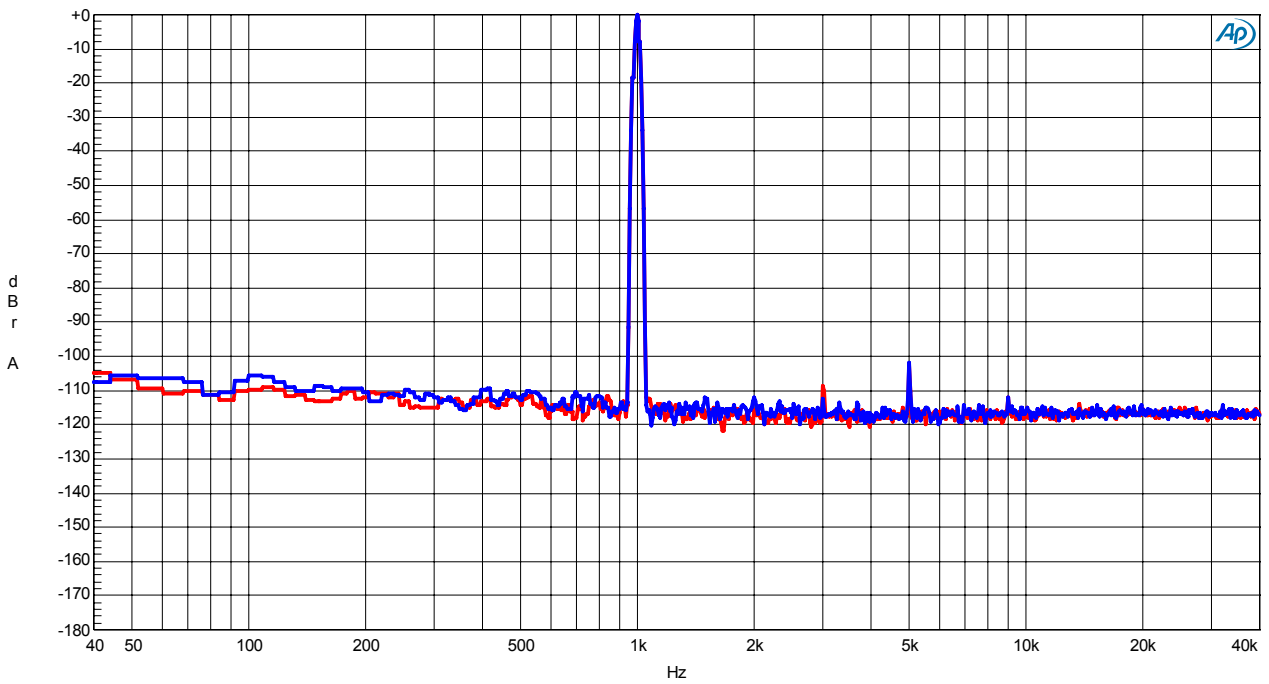


Figure 19. FFT (fin=1kHz, Input Level=0dBFS)

AKM

AK4392 FFT
AVDD=DVDD=5V, fs=96kHz, 0dBFS Input, Notch

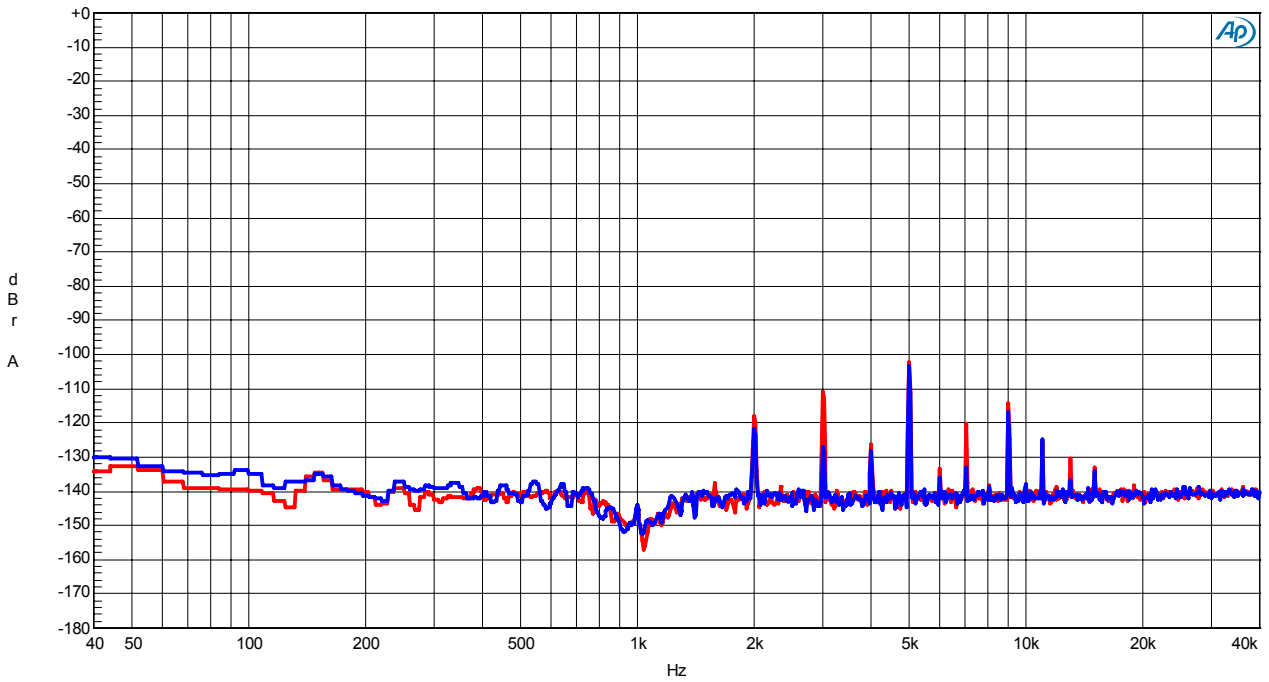


Figure 20. FFT(fin=1kHz, Input Level=0dBFS, Notch)

(fs=96kHz)

AKM

AK4392 FFT
AVDD=DVDD=5V, fs=96kHz, -60dBFS Input

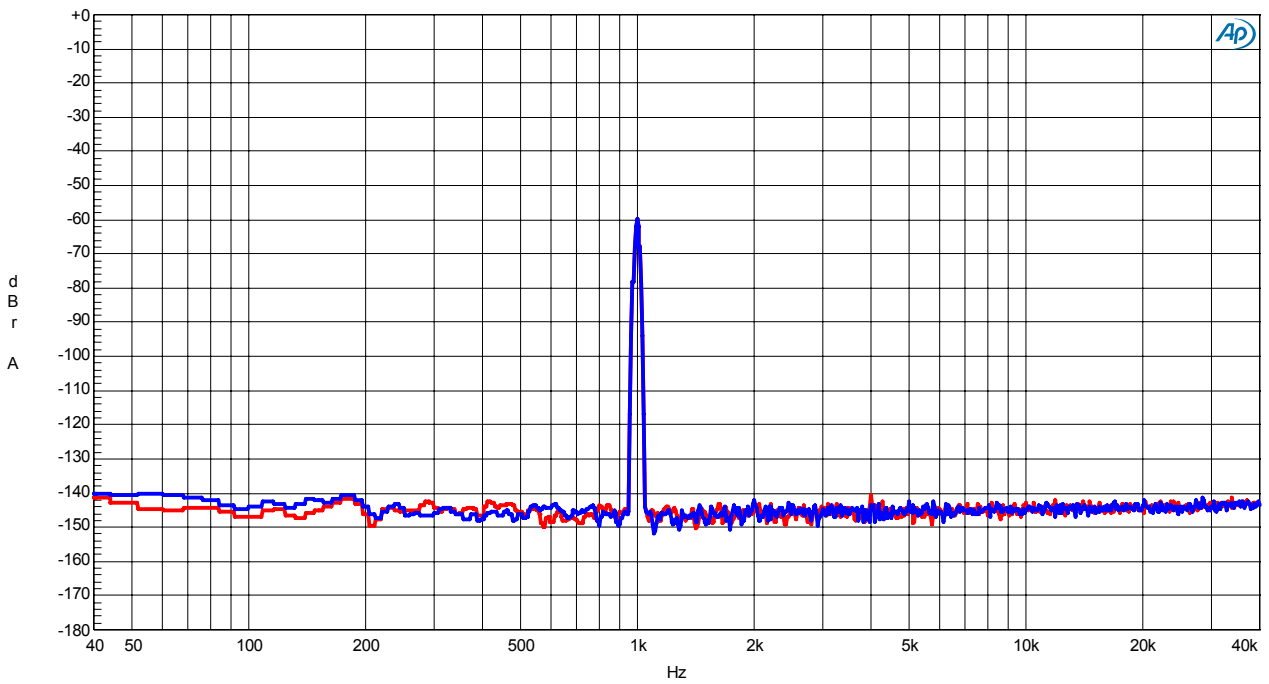


Figure 21. FFT (fin=1kHz, Input Level=-60dBFS)

AKM

AK4392 FFT
AVDD=DVDD=5V, fs=96kHz, No signal Input

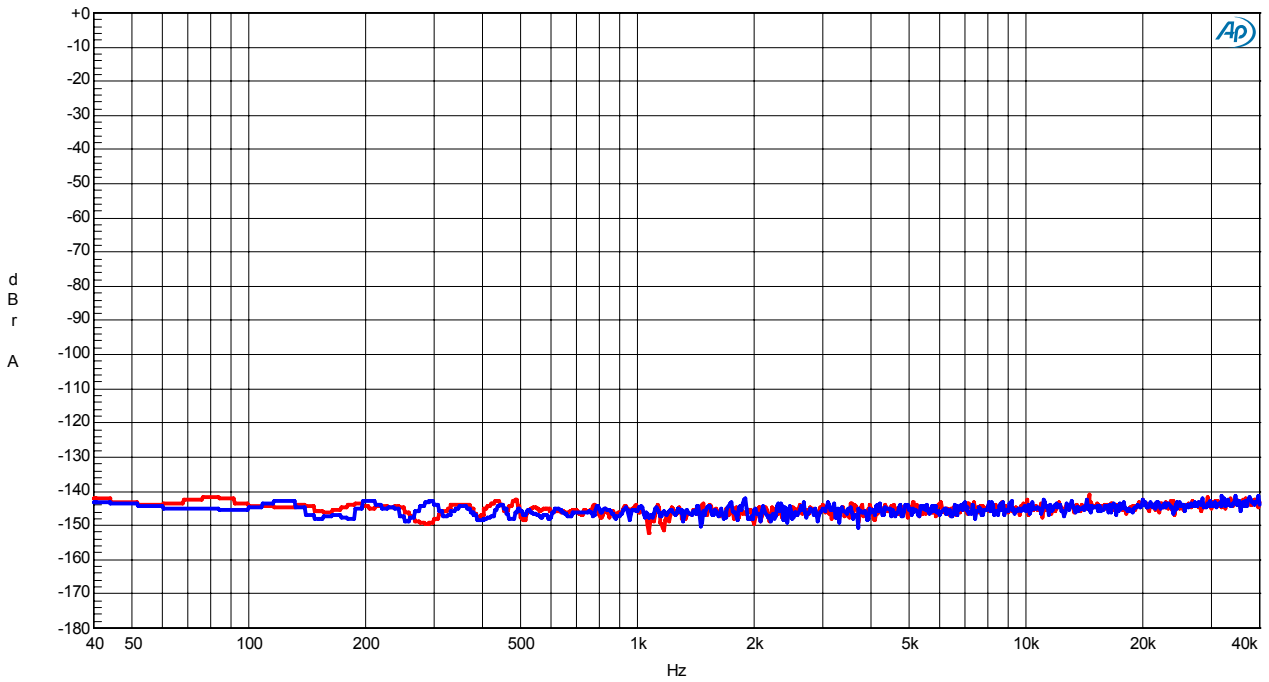


Figure 22. FFT (Noise Floor)

(fs=96kHz)

AKM

AK4392 THD+N vs. Input Level
AVDD=DVDD=5V, fs=96kHz, fin=1kHz

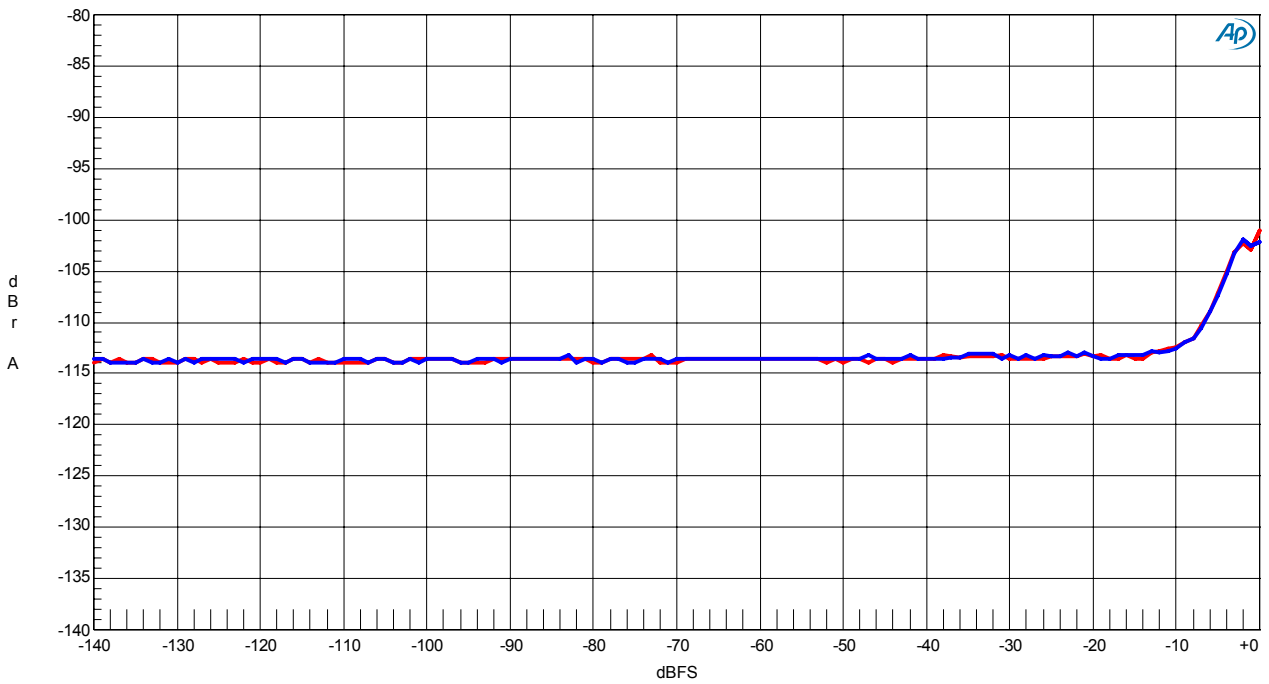


Figure 23. THD+N vs. Input level (fin=1kHz)

AKM

AK4392 THD+N vs. Input Frequency
AVDD=DVDD=5V, fs=96kHz, 0dBFS Input

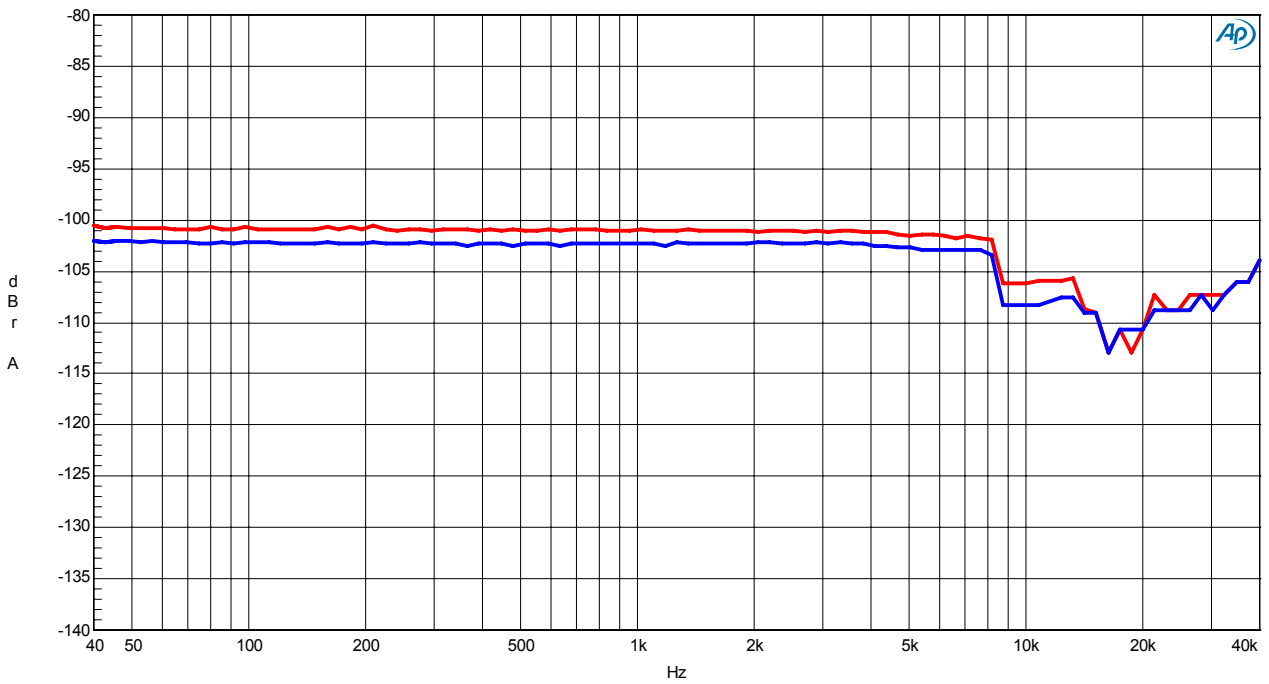


Figure 24. THD+N vs. Input Frequency (Input level=0dBFS)

(fs=96kHz)

AKM

AK4392 Linearity
AVDD=DVDD=5V, fs=96kHz, fin=1kHz

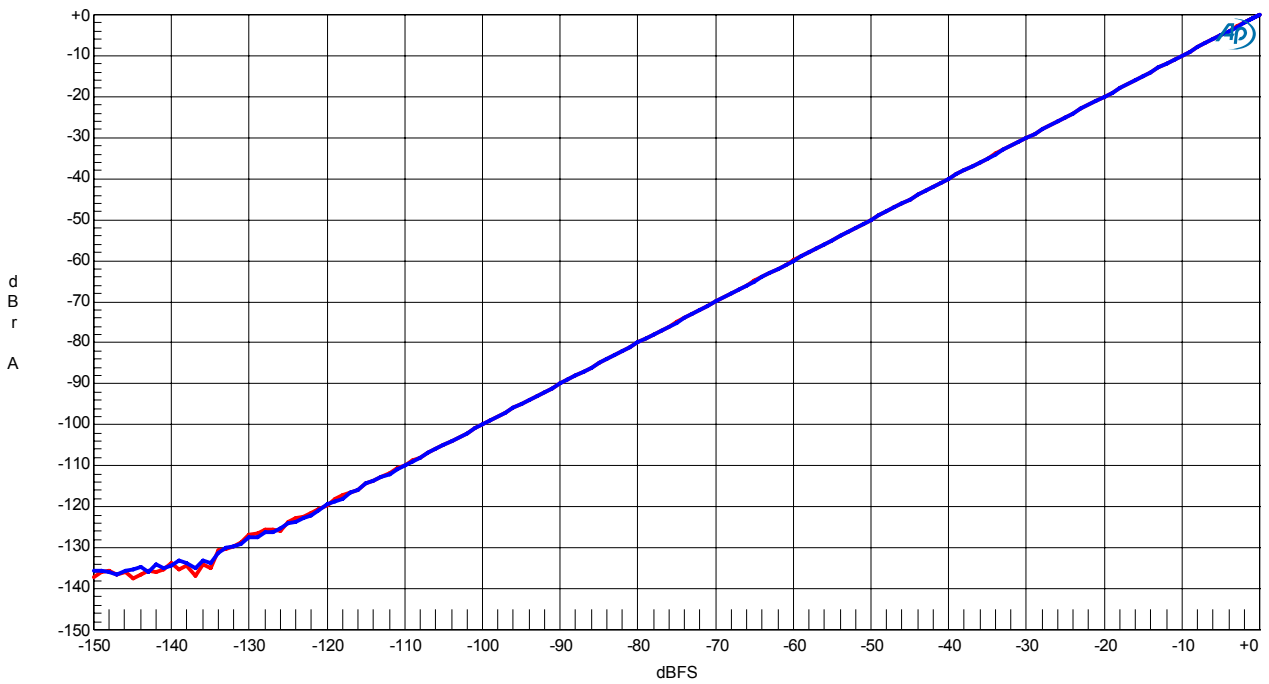


Figure 25. Linearity (fin=1kHz)

AKM

AK4392 Frequency Response
AVDD=DVDD=5V, fs=96kHz, 0dBFS Input

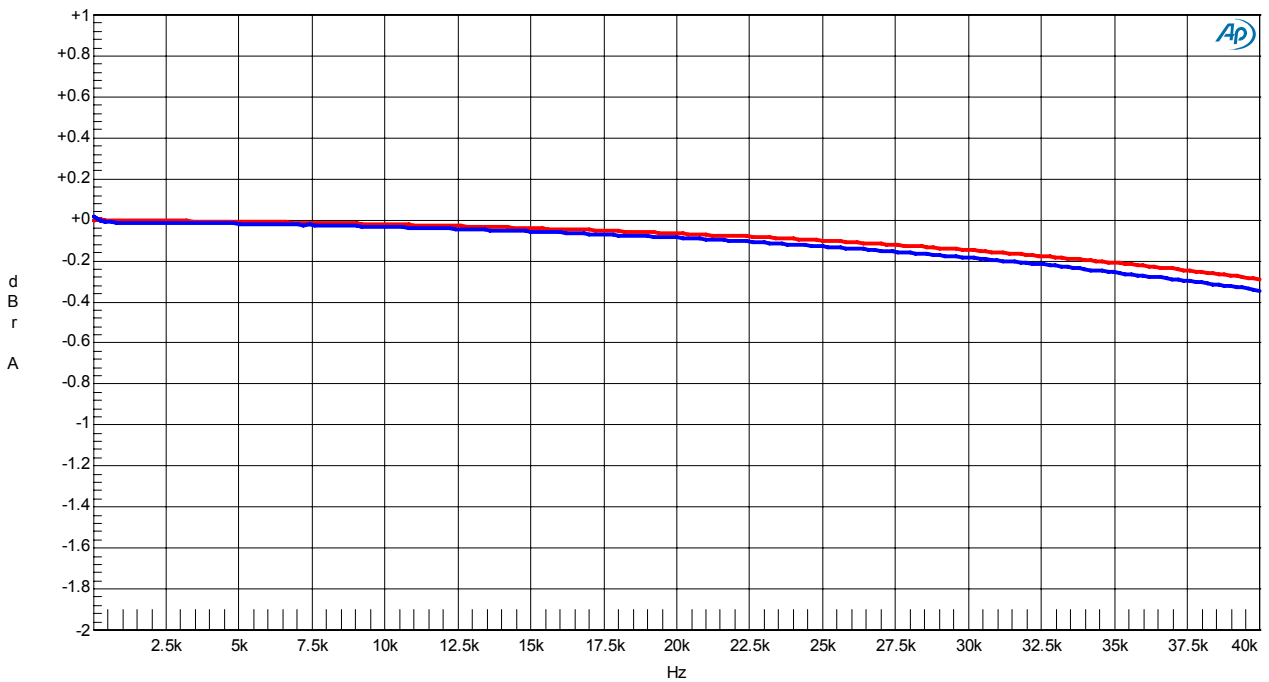


Figure 26. Frequency Response (Input level=0dBFS)

(fs=96kHz)

AKM

AK4392 Crosstalk (Red=Lch, Blue=Rch)
AVDD=DVDD=5V, fs=96kHz, 0dBFS Input

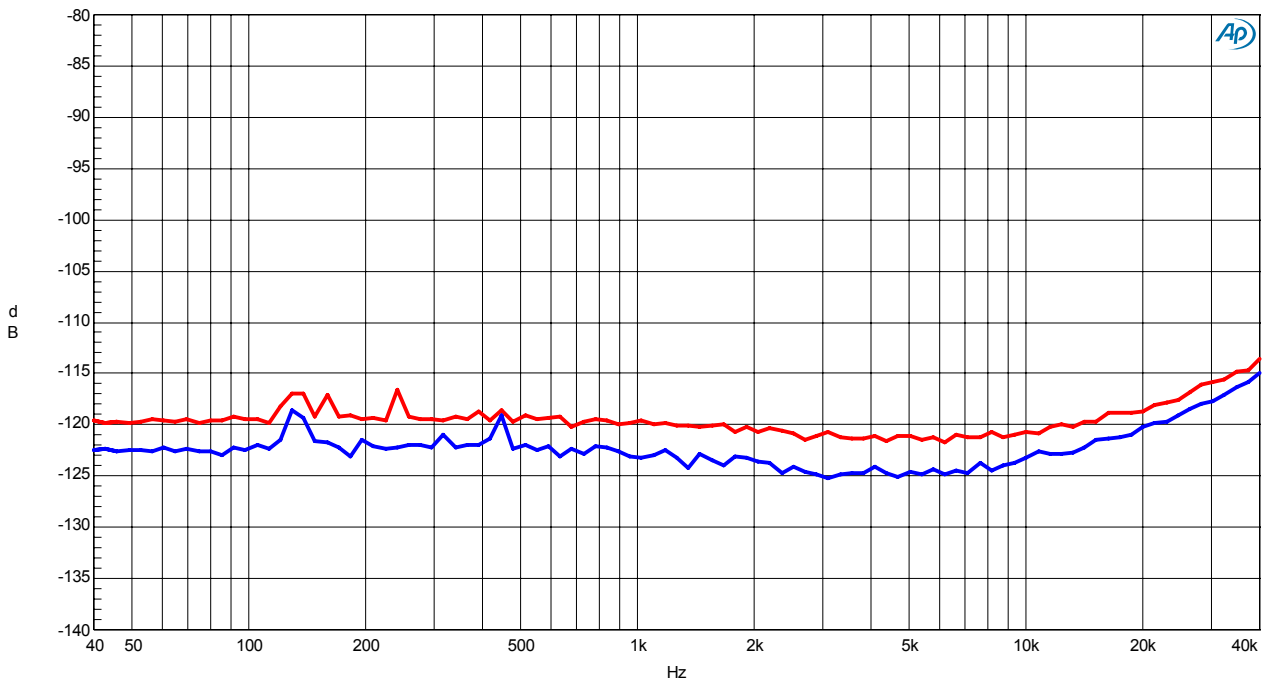


Figure 27. Crosstalk (Input level=0dBFS)

(fs=192kHz)

AKM

AK4392 FFT
AVDD=DVDD=5V, fs=192kHz, 0dBFS Input

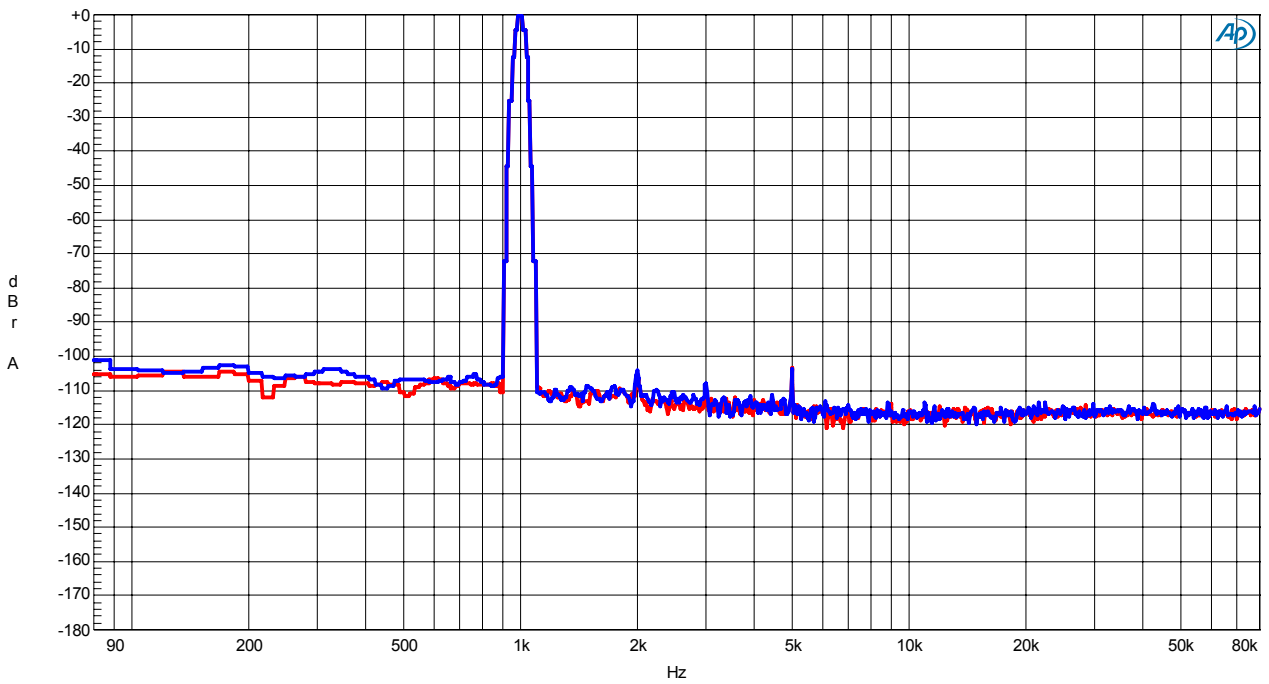


Figure 28. FFT (fin=1kHz, Input Level=0dBFS)

AKM

AK4392 FFT
AVDD=DVDD=5V, fs=192kHz, 0dBFS Input, Notch

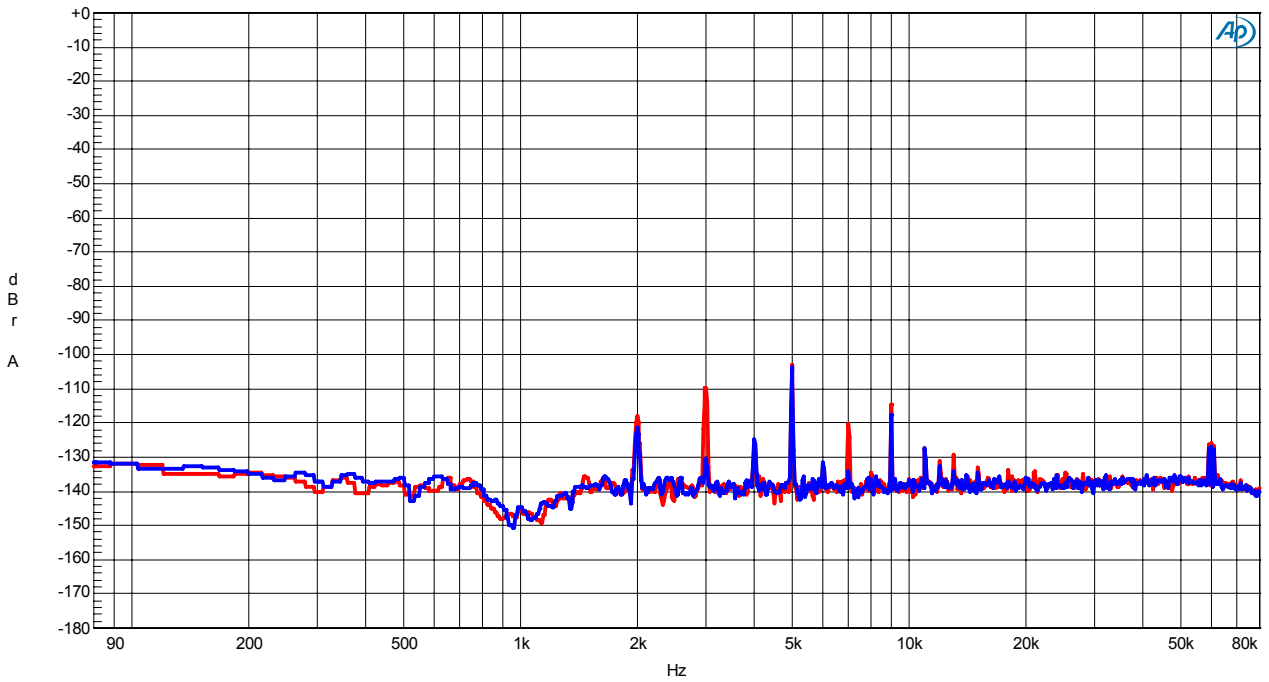


Figure 29. FFT(fin=1kHz, Input Level=0dBFS, Notch)

(fs=192kHz)

AKM

AK4392 FFT
AVDD=DVDD=5V, fs=192kHz, -60dBFS Input

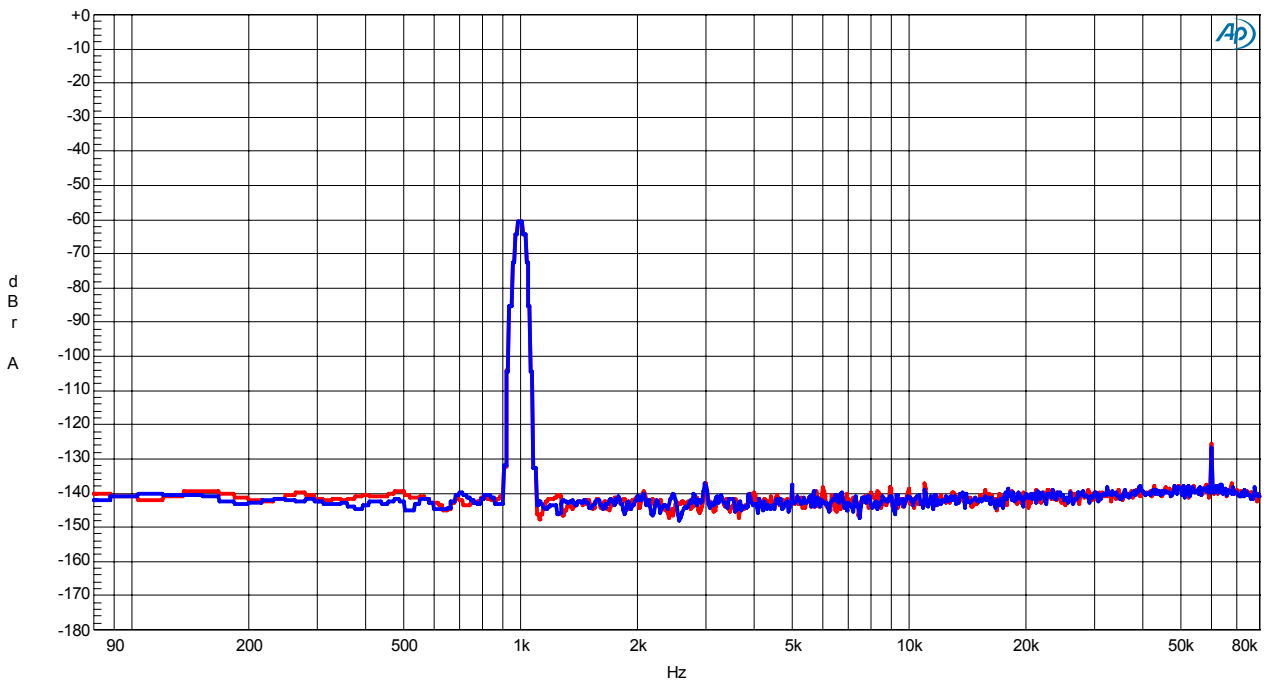


Figure 30. FFT (fin=1kHz, Input Level=-60dBFS)

AKM

AK4392 FFT
AVDD=DVDD=5V, fs=192kHz, No signal Input

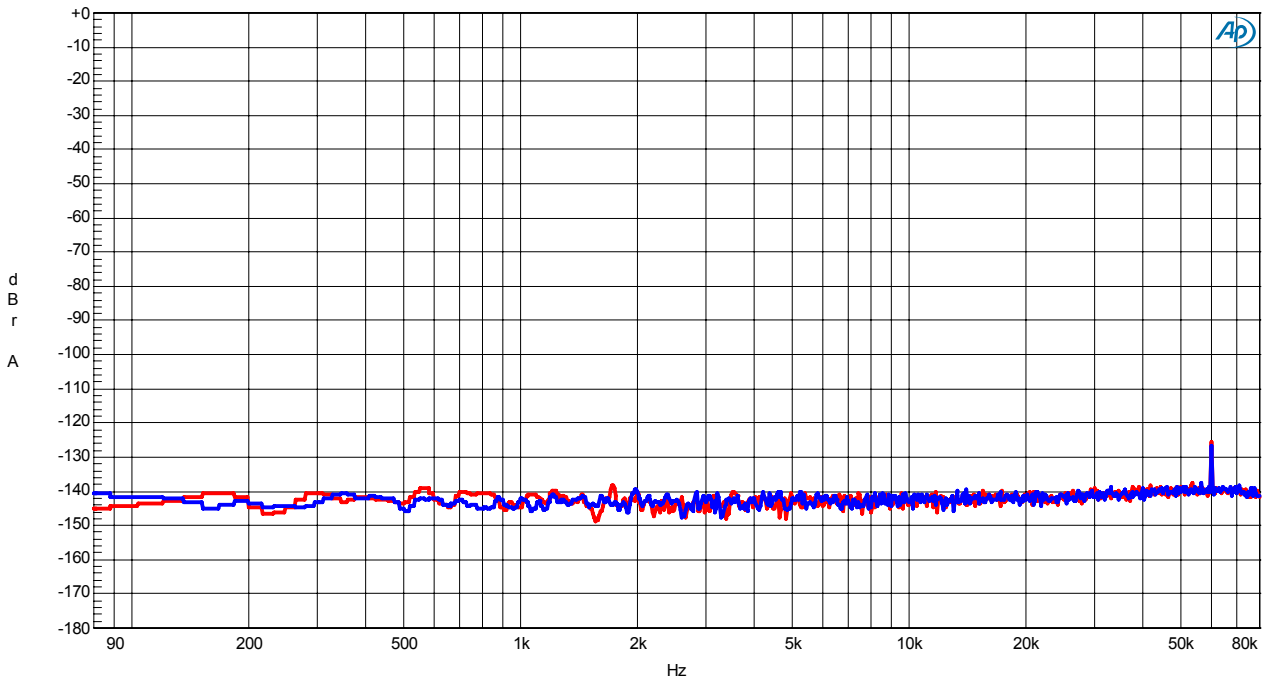


Figure 31. FFT (Noise Floor)

(fs=192kHz)

AKM

AK4392 THD+N vs. Input Level
AVDD=DVDD=5V, fs=192kHz, fin=1kHz

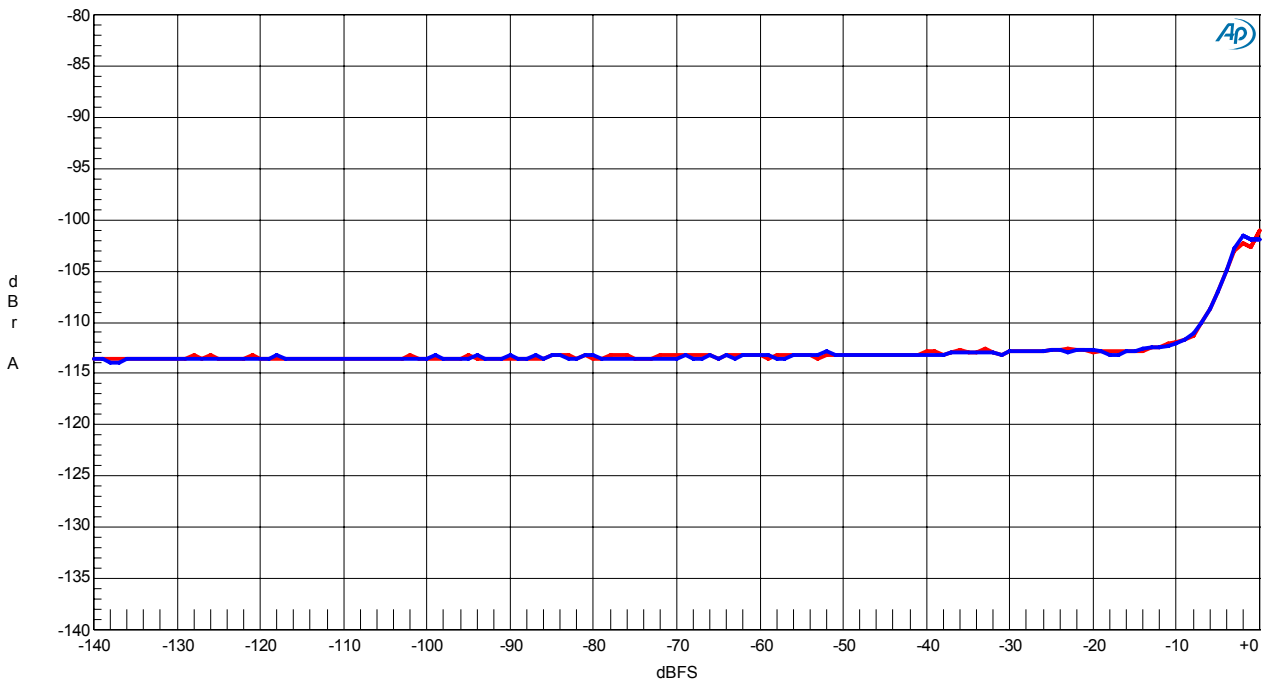


Figure 32. THD+N vs. Input level (fin=1kHz)

AKM

AK4392 THD+N vs. Input Frequency
AVDD=DVDD=5V, fs=192kHz, 0dBFS Input

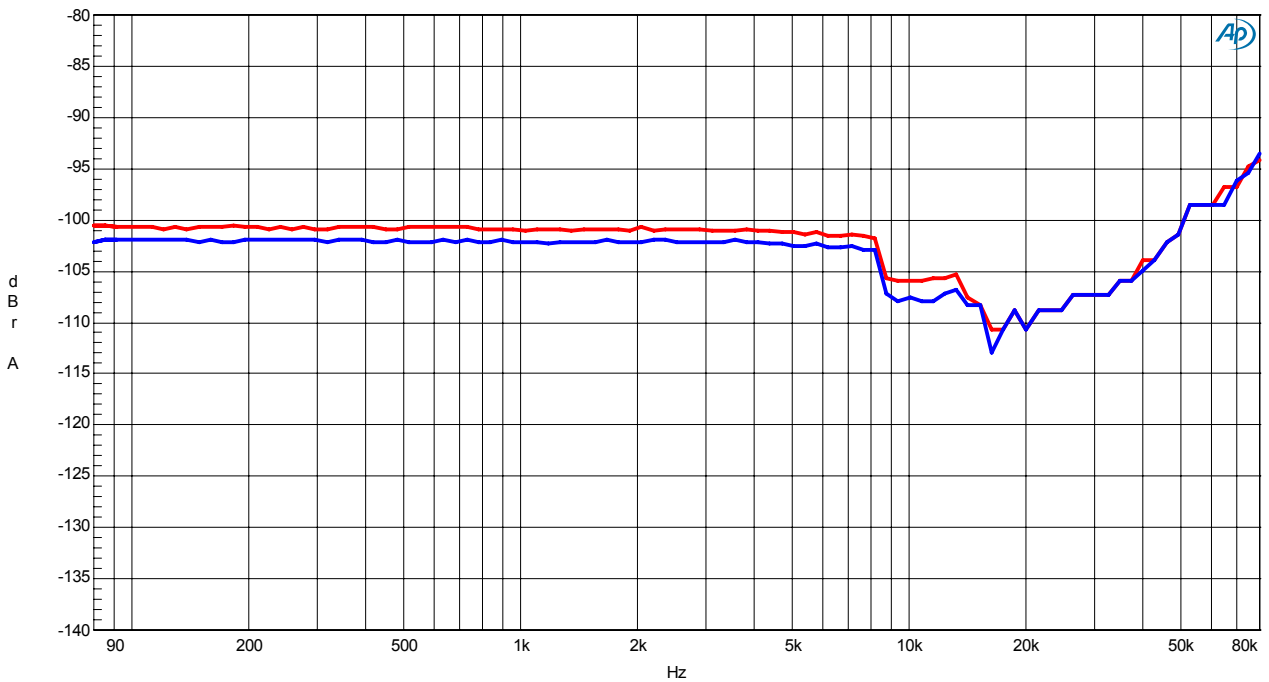


Figure 33. THD+N vs. Input Frequency (Input level=0dBFS)

(fs=192kHz)

AKM

AK4392 Linearity
AVDD=DVDD=5V, fs=192kHz, fin=1kHz

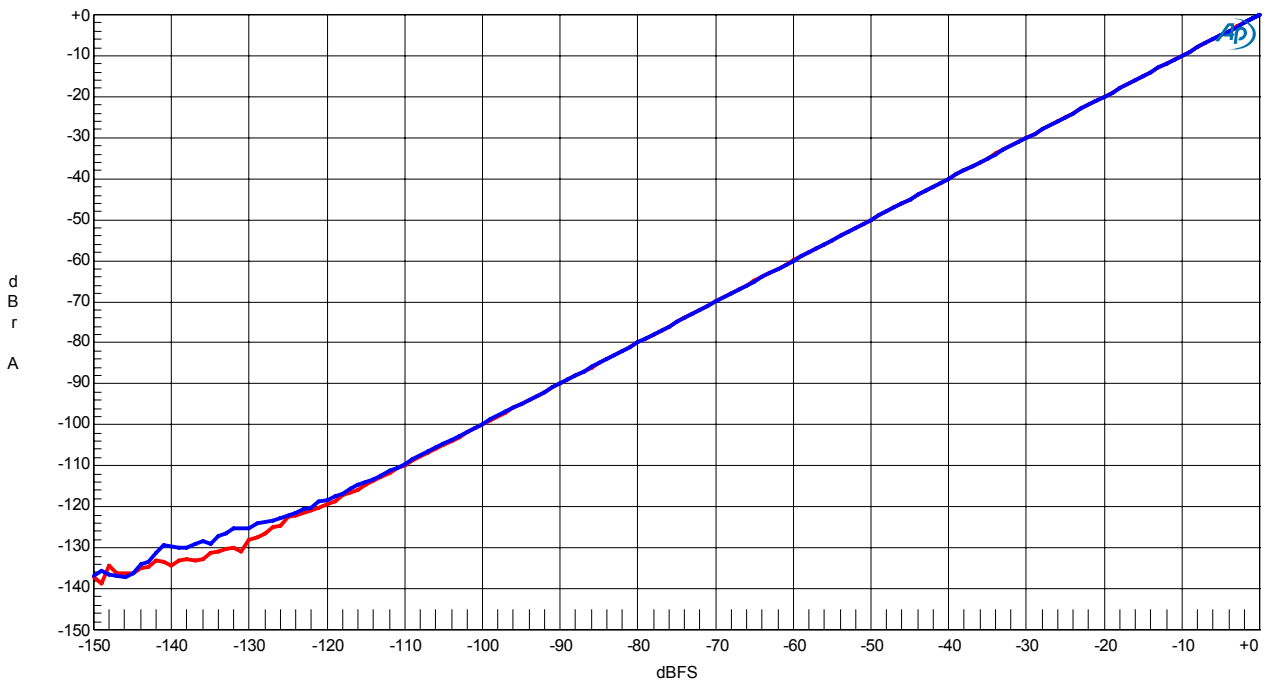


Figure 34. Linearity (fin=1kHz)

AKM

AK4392 Frequency Response
AVDD=DVDD=5V, fs=192kHz, 0dBFS Input

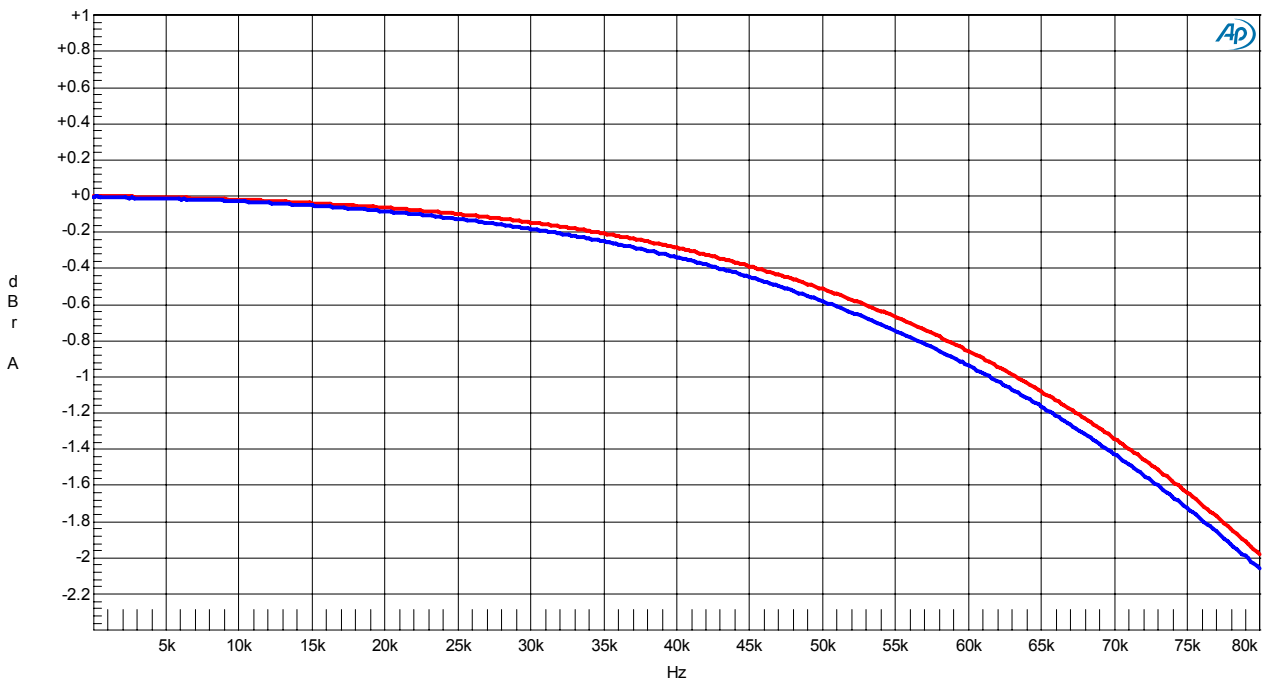


Figure 35. Frequency Response (Input level=0dBFS)

(fs=192kHz)

AKM

AK4392 Crosstalk (Red=Lch, Blue=Rch)
AVDD=DVDD=5V, fs=192kHz, 0dBFS Input

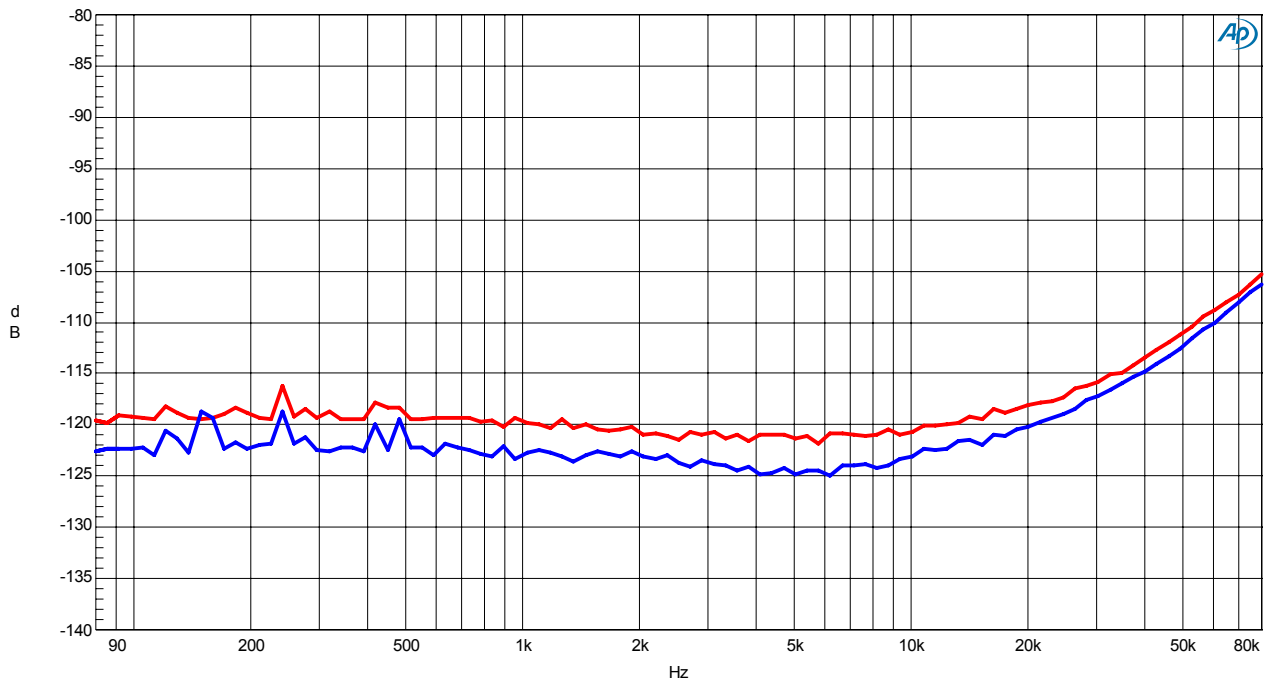


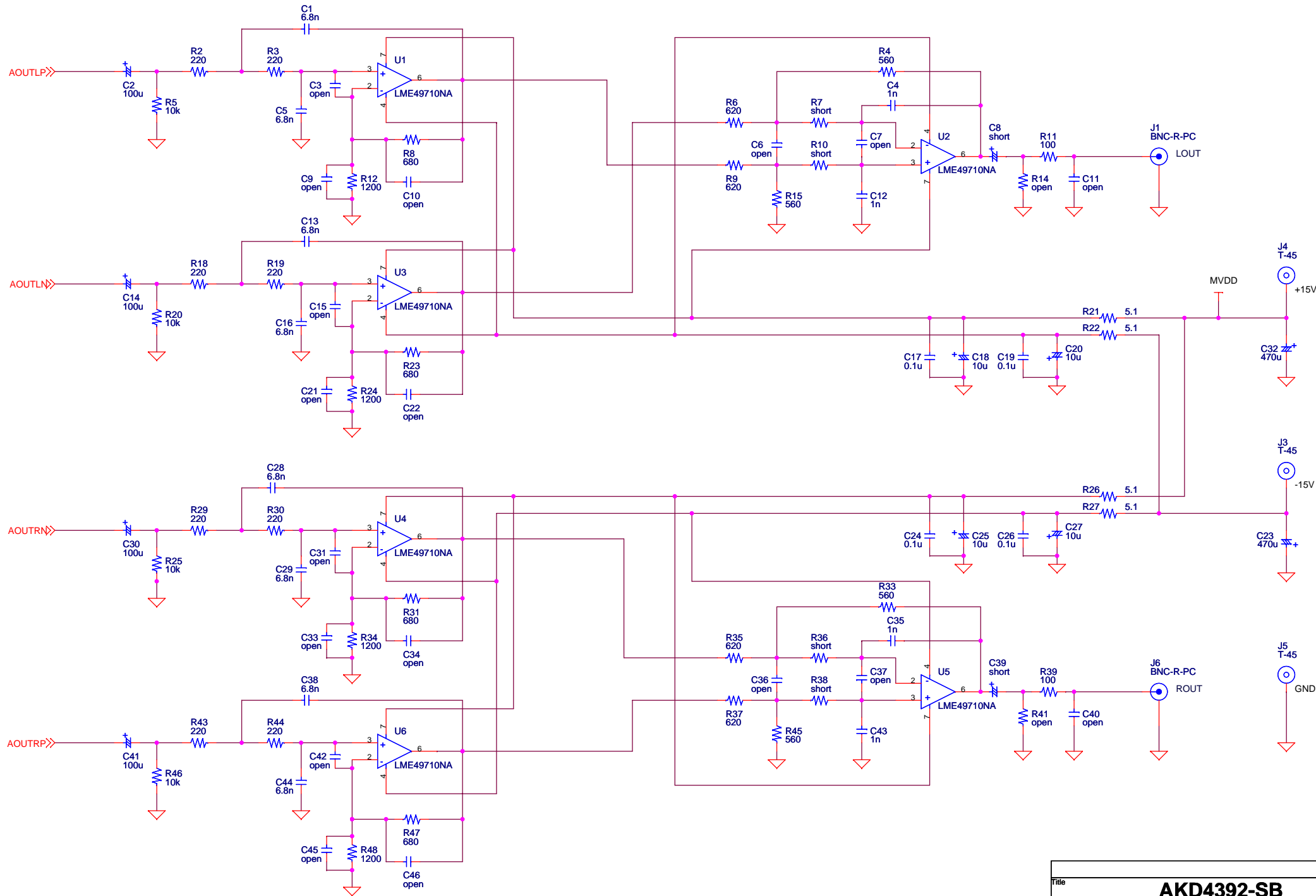
Figure 36. Crosstalk (Input level=0dBFS)

Revision History

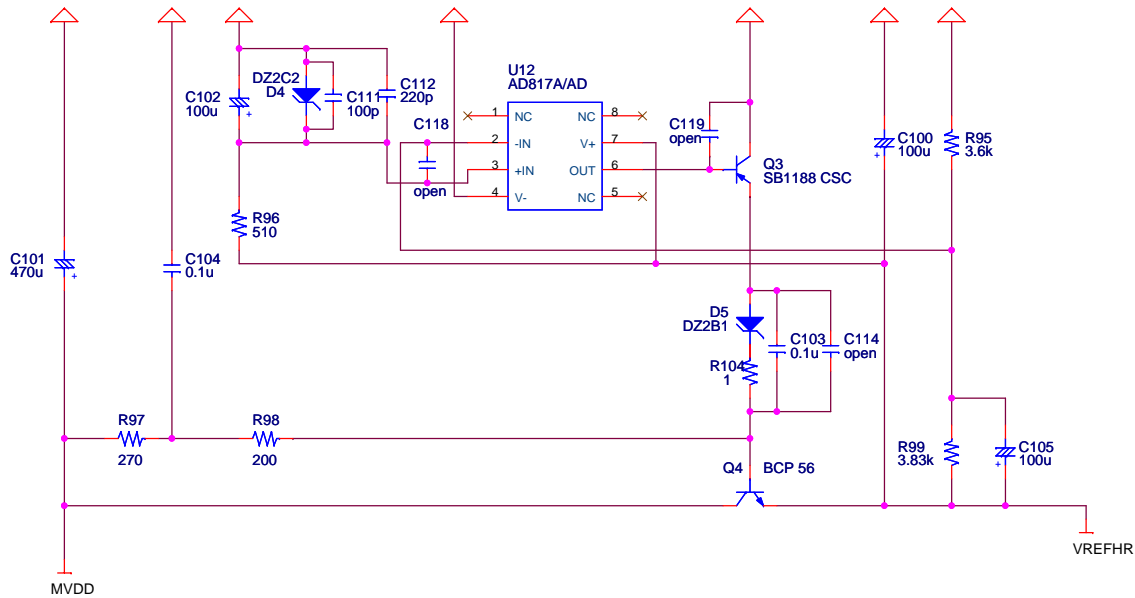
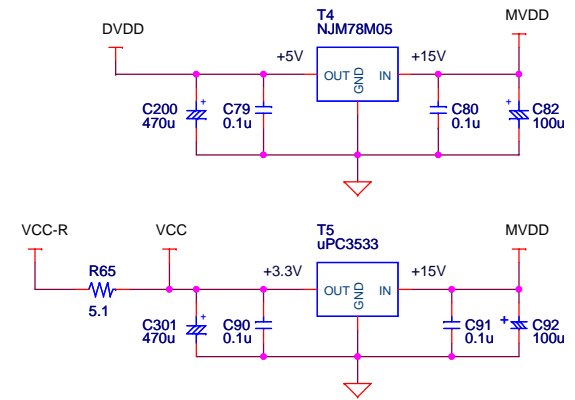
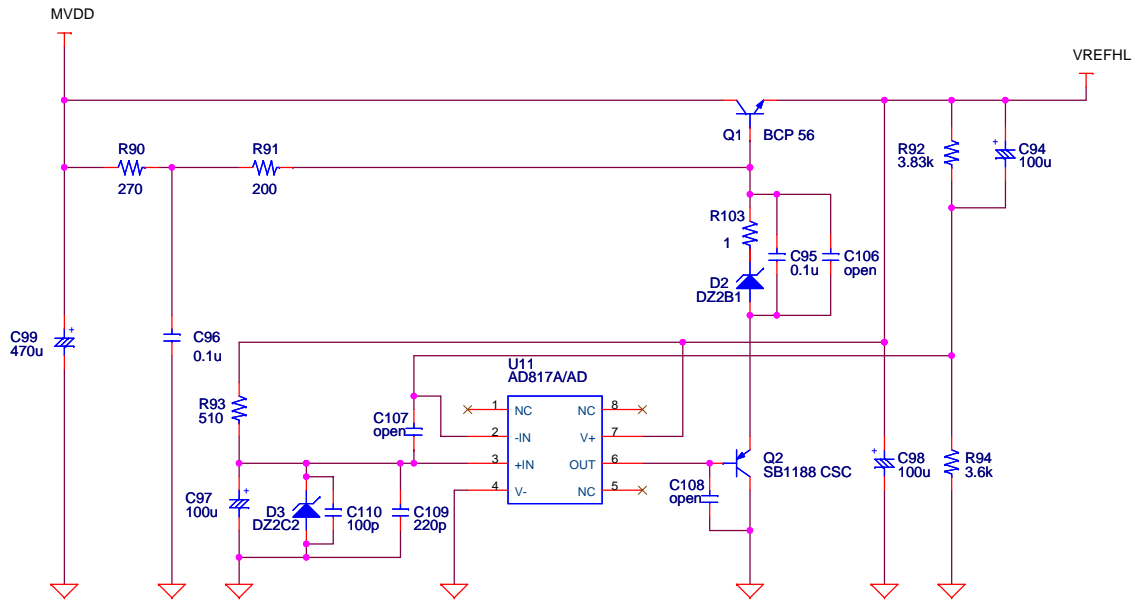
Date (YY/MM/DD)	Manual Revision	Board Revision	Reason	Page	Contents
09/06/01	KM099800	0	First edition	-	

IMPORTANT NOTICE

- These products and their specifications are subject to change without notice.
When you consider any use or application of these products, please make inquiries the sales office of Asahi Kasei Microdevices Corporation (AKM) or authorized distributors as to current status of the products.
- AKM assumes no liability for infringement of any patent, intellectual property, or other rights in the application or use of any information contained herein.
- Any export of these products, or devices or systems containing them, may require an export license or other official approval under the law and regulations of the country of export pertaining to customs and tariffs, currency exchange, or strategic materials.
- AKM products are neither intended nor authorized for use as critical components_{Note1)} in any safety, life support, or other hazard related device or system_{Note2)}, and AKM assumes no responsibility for such use, except for the use approved with the express written consent by Representative Director of AKM. As used here:
 - Note1) A critical component is one whose failure to function or perform may reasonably be expected to result, whether directly or indirectly, in the loss of the safety or effectiveness of the device or system containing it, and which must therefore meet very high standards of performance and reliability.
 - Note2) A hazard related device or system is one designed or intended for life support or maintenance of safety or for applications in medicine, aerospace, nuclear energy, or other fields, in which its failure to function or perform may reasonably be expected to result in loss of life or in significant injury or damage to person or property.
- It is the responsibility of the buyer or distributor of AKM products, who distributes, disposes of, or otherwise places the product with a third party, to notify such third party in advance of the above content and conditions, and the buyer or distributor agrees to assume any and all responsibility and liability for and hold AKM harmless from any and all claims arising from the use of said product in the absence of such notification.



Title			AKD4392-SB		
Size	Document Number				Rev
A3					0
Date:	Monday, June 01, 2009		Sheet	2	of 3



Title	AKD4392-SB	
Size	Document Number	Rev
A3		0
Date:	Monday, June 01, 2009	Sheet 3 of 3