



DESCRIPTION

The AL2G08 provides a dual 2-input positive-AND gate function. Input can be driven from either 3.3V or 5V devices. This feature allows the use of the AL2G08 as a translator in a mixed 3.3 and 5V environment.

The AL2G08 is designed for 1.65V to 5.5V V_{CC} operation.

The AL2G08 device performs the Boolean function $Y=A \cdot B$ or $Y = \overline{A} \cdot \overline{B}$ in positive logic. The device is fully specified for partial-power-down applications using I_{off} . The I_{off} circuitry disables the outputs, preventing damaging current backflow through the device when it is powered down.

The AL2G08 is available in MSOP8 package.

ORDERING INFORMATION

Package Type	Part Number	
MSOP8 SPQ: 4,000pcs/Reel	MS8	AL2G08MS8R
		AL2G08MS8VR
Note	V: Halogen free Package R: Tape & Reel	
AiT provides all RoHS products		

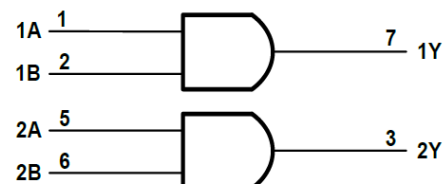
FEATURES

- Wide Supply Range from 1.65V to 5.5V
- 5V Tolerant Outputs for interfacing with 5V logic
- High Noise Immunity
- Low Power Consumption: 1µA (Max)
- Operating Temperature Range: -40°C to +125°C
- Inputs Accept Voltage to 5.5V
- High Output Drive: ±24mA at $V_{CC}=3.0V$
- Available in MSOP8 package

APPLICATION

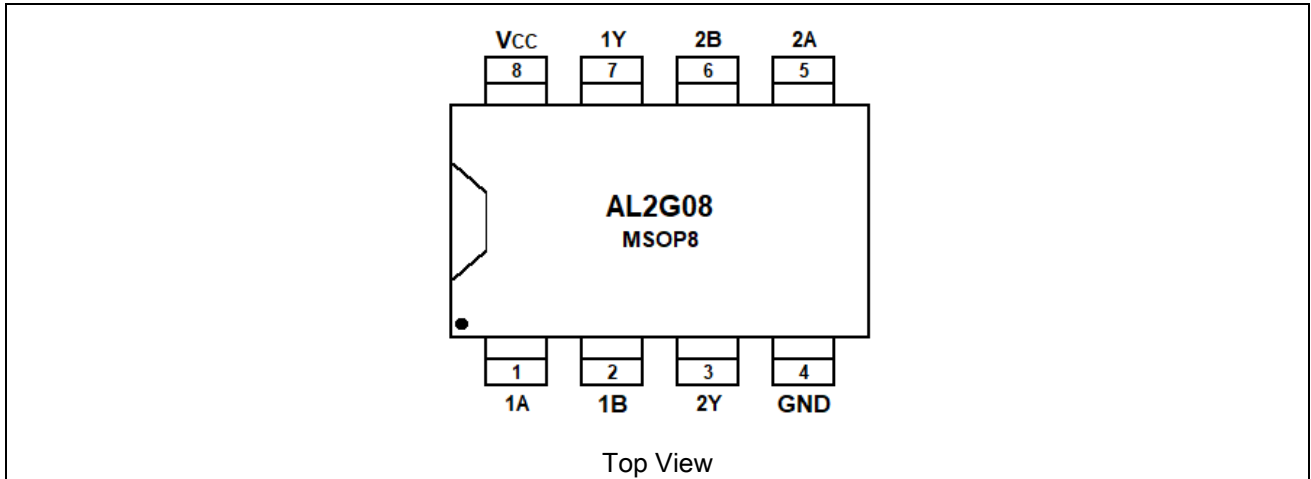
- Voltage Level Shifting
- General Purpose Logic
- Power Down Signal Isolation
- Computers, E-readers, PDAs
- Computer Peripherals, Hard Drives, CD/DVD ROMs
- TVs, DVDs, DVRs, Set Top Boxes
- Cell Phones, Personal Navigations/GPS
- MP3 Players, Cameras, Video Recorders
- Active Noise Elimination
- Bar Code Scanner
- Blood Pressure Monitor
- CPAP Machine
- Fingerprint identification
- IP Phone: Wired and Wireless
- Network attached storage (NAS)
- Private Branch Exchange (PBX)

LOGIC SYMBOL





PIN DESCRIPTION



Pin #	Symbol	I/O	Function
1	1A	I	Channel 1 logic input
2	1B	I	Channel 1 logic input
3	2Y	O	Logic level output
4	GND	-	Ground
5	2A	I	Channel 2 logic input
6	2B	I	Channel 2 logic input
7	1Y	O	Logic level output
8	V _{cc}	-	Power Pin

FUNCTION TABLE

Inputs		Output
A	B	Y
H	H	H
L	H	L
H	L	L
L	L	L

Y=A•B

H=High Voltage Level

L=Low Voltage Level



ABSOLUTE MAXIMUM RATINGS

over operating free-air temperature range, unless otherwise noted^{NOTE1}

V _{CC} , Supply Voltage Range		-0.5V ~ 6.5V
V _I , Input Voltage Range ^{NOTE1}		-0.5V ~ 6.5V
V _O , Voltage range applied to any output in the high-impedance or power-off state ^{NOTE1}		-0.5V ~ 6.5V
V _O , Voltage range applied to any output in the high or low state ^{NOTE1, 2}		-0.5V ~ V _{CC} +0.5V
I _{IK} , Input Clamp Current	V _I <0	-50mA
I _{OK} , Output Clamp Current	V _O <0	-50mA
I _O , Continuous Output Current		±50mA
Continuous Current Through V _{CC} or GND		±100mA
T _J , Junction Temperature		150°C
T _{STG} , Storage Temperature		-65°C ~ 150°C
ESD Ratings		
V _(ESD) , Electrostatic Discharge	Human-body model (HBM)	±8000V
	Machine model (MM)	±500V

Stress beyond above listed "Absolute Maximum Ratings" may lead permanent damage to the device. These are stress ratings only and operations of the device at these or any other conditions beyond those indicated in the operational sections of the specifications are not implied. Exposure to absolute maximum rating conditions for extended periods may affect device reliability.

NOTE1: The input and output negative-voltage ratings may be exceeded if the input and output current ratings are observed.

NOTE2: The value of V_{CC} is provided in the Recommended Operating Conditions table.



RECOMMENDED OPERATING CONDITIONS

T_A = +25°C, unless otherwise noted.^{NOTE3}

Parameter	Symbol	Conditions	Min.	Typ.	Max.	Unit
Supply Voltage	V _{CC}	Operating	1.65	-	5.5	V
		Data retention only	1.5	-	5.5	
High-Level Input Voltage	V _{IH}	V _{CC} =1.65V to 1.95V	0.65xV _{CC}	-	-	V
		V _{CC} =2.3V to 2.7V	1.7	-	-	
		V _{CC} =3V to 3.6V	2.2	-	-	
		V _{CC} =4.5V to 5.5V	0.7xV _{CC}	-	-	
Low-Level Input Voltage	V _{IL}	V _{CC} =1.65V to 1.95V	-	-	0.15xV _{CC}	V
		V _{CC} =2.3V to 2.7V	-	-	0.3	
		V _{CC} =3V to 3.6V	-	-	0.4	
		V _{CC} =4.5V to 5.5V	-	-	0.15xV _{CC}	
Input Voltage	V _I		0	-	5.5	V
Output Voltage	V _O		0	-	V _{CC}	V
Input Transition Rise or Fall	t _r , t _f	V _{CC} =1.8V±0.15V, 2.5V±0.2V	-	-	20	ns/V
		V _{CC} =3.3V±0.3V	-	-	10	
		V _{CC} =5V±0.5V	-	-	5	
Operating Temperature	T _A		-40	-	+125	°C



DC ELECTRICAL CHARACTERISTICS

T_A = +25°C, unless otherwise noted.^{NOTE3}

Parameter		Conditions	Temp	Min.	Typ.	Max.	Unit
V _{OH}	I _{OH} =-100μA, V _{CC} =1.65V to 5.5V		-40°C to +125°C	V _{CC} -0.1	-	-	V
	I _{OH} =-4mA, V _{CC} =1.65V			1.2	-	-	
	I _{OH} =-8mA, V _{CC} =2.3V			1.9	-	-	
	I _{OH} =-16mA, V _{CC} =3V			2.4	-	-	
	I _{OH} =-24mA, V _{CC} =3V			2.3	-	-	
	I _{OH} =-32mA, V _{CC} =4.5V			3.8	-	-	
V _{OL}	I _{OH} =100μA, V _{CC} =1.65V to 5.5V		-40°C to +125°C	-	-	0.1	V
	I _{OH} =4mA, V _{CC} =1.65V			-	-	0.45	
	I _{OH} =8mA, V _{CC} =2.3V			-	-	0.3	
	I _{OH} =16mA, V _{CC} =3V			-	-	0.4	
	I _{OH} =24mA, V _{CC} =3V			-	-	0.55	
	I _{OH} =32mA, V _{CC} =4.5V			-	-	0.55	
I _I	A or B inputs	V _I =5.5V or GND, V _{CC} =0V to 5.5V	+25°C	-	±0.1	±1	μA
			-40°C to +125°C	-	-	±5	
I _{off}		V _I or V _O =5.5V, V _{CC} =0V	+25°C		±0.1	±1	μA
			-40°C to +125°C			±10	
I _{CC}		V _I =5.5V or GND, I _O =0, V _{CC} =1.65V to 5.5V	+25°C	-	0.1	1	μA
			-40°C to +125°C	-	-	10	
ΔI _{CC}		One input at V _{CC} -0.6V, Other inputs at V _{CC} or GND, V _{CC} =3V to 5.5V	-40°C to +125°C	-	-	500	μA

AC ELECTRICAL CHARACTERISTICS

T_A = +25°C, unless otherwise noted.^{NOTE3}

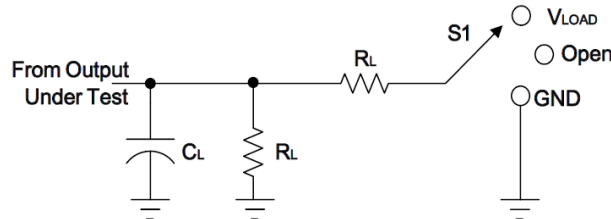
Parameter	Symbol	Conditions		Min.	Typ.	Max.	Unit
Propagation Delay	t _{pd}	V _{CC} =1.8V±0.15V	C _L =30pF, R _L =1kΩ	-	11.2	-	ns
		V _{CC} =2.5V±0.2V	C _L =30pF, R _L =500Ω	-	6.5	-	
		V _{CC} =3.3V±0.3V	C _L =50pF, R _L =500Ω	-	5.4	-	
		V _{CC} =5V±0.5V	C _L =50pF, R _L =500Ω	-	4.3	-	
Input Capacitance	C _i	V _{CC} =0V		-	4	-	pF
Power Dissipation Capacitance	C _{pd}	V _{CC} =3.3V	f=10MHz	-	26	-	pF
		V _{CC} =5V		-	31	-	

NOTE3: All unused inputs of the device must be held at V_{CC} or GND to ensure proper device operation.



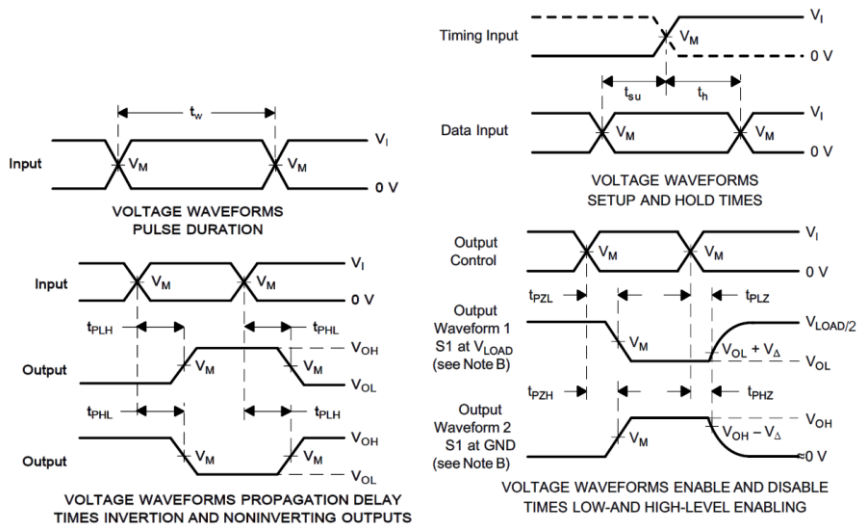
DETAILED INFORMATION

Parameter Measurement Information



TEST	S1
t_{PLH}/t_{PHL}	Open
t_{PLZ}/t_{PZL}	V_{LOAD}
t_{PHZ}/t_{PZH}	GND

V_{CC}	Inputs		V_M	V_{LOAD}	C_L		R_L		V_{Δ}
	V_I	t_r/t_f							
$1.8V \pm 0.15V$	V_{CC}	$\leq 2ns$	$V_{CC}/2$	$2 \times V_{CC}$	15pF	30pF	1M Ω	1k Ω	0.15V
$2.5V \pm 0.2V$	V_{CC}	$\leq 2ns$	$V_{CC}/2$	$2 \times V_{CC}$	15pF	30pF	1M Ω	500 Ω	0.15V
$3.3V \pm 0.3V$	3V	$\leq 2.5ns$	1.5V	6V	15pF	50pF	1M Ω	500 Ω	0.3V
$5V \pm 0.5V$	V_{CC}	$\leq 2.5ns$	$V_{CC}/2$	$2 \times V_{CC}$	15pF	50pF	1M Ω	500 Ω	0.3V



NOTE A: C_L includes probe and jig capacitance.

NOTE B: Waveform 1 is for an output with internal conditions such that the output is low, except when disabled by the output control.

Waveform 2 is for an output with internal conditions such that the output is high, except when disabled by the output control.

NOTE C: All input pulses are supplied by generators having the following characteristics: PRR \leq 10 MHz, $Z_o = 50\Omega$.

NOTE D: The outputs are measured one at a time, with one transition per measurement.

NOTE E: t_{PLZ} and t_{PHZ} are the same as t_{dis} .

NOTE F: t_{PZL} and t_{PZH} are the same as t_{en} .

NOTE G: t_{PLH} and t_{PHL} are the same as t_{pd} .

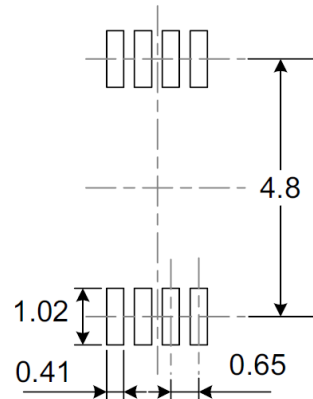
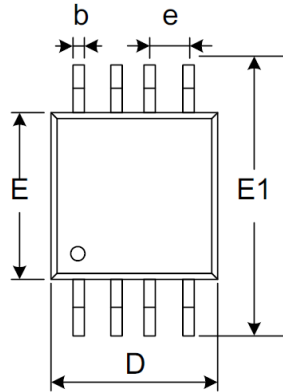
NOTE H: All parameters and waveforms are not applicable to all devices.

Figure 1. Load Circuit and Voltage Waveforms

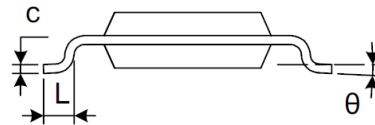
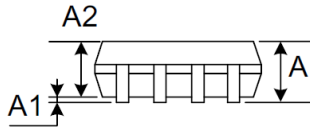


PACKAGE INFORMATION

Dimension in MSOP8 (Unit: mm)



RECOMMENDED LAND PATTERN (Unit: mm)



Symbol	Millimeters		Inches	
	Min	Max	Min	Max
A	0.820	1.100	0.032	0.043
A1	0.020	0.150	0.001	0.006
A2	0.750	0.950	0.030	0.037
b	0.250	0.380	0.010	0.015
c	0.090	0.230	0.004	0.009
D	2.900	3.100	0.014	0.122
e	0.650 BSC		0.026 BSC	
E	2.900	3.100	0.114	0.122
E1	4.750	5.050	0.187	0.199
L	0.400	0.800	0.016	0.031
θ	0°	6°	0°	6°



IMPORTANT NOTICE

AiT Semiconductor Inc. (AiT) reserves the right to make changes to any its product, specifications, to discontinue any integrated circuit product or service without notice, and advises its customers to obtain the latest version of relevant information to verify, before placing orders, that the information being relied on is current.

AiT Semiconductor Inc.'s integrated circuit products are not designed, intended, authorized, or warranted to be suitable for use in life support applications, devices or systems or other critical applications. Use of AiT products in such applications is understood to be fully at the risk of the customer. As used herein may involve potential risks of death, personal injury, or severe property, or environmental damage. In order to minimize risks associated with the customer's applications, the customer should provide adequate design and operating safeguards.

AiT Semiconductor Inc. assumes to no liability to customer product design or application support. AiT warrants the performance of its products of the specifications applicable at the time of sale.