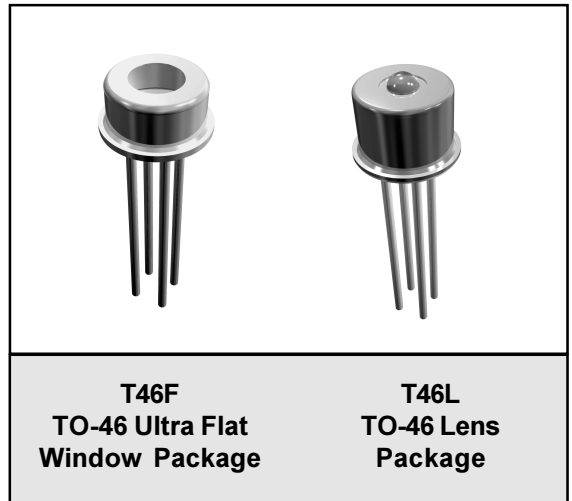


**FEATURES**

- Differential Output TIA
- 3.3V Operation
- Automatic Gain Control
- Integrated 850nm MSM Detector & TIA
- TO-46 Ultra Flat-Window or Lens Hermetic Package
- High Reliability

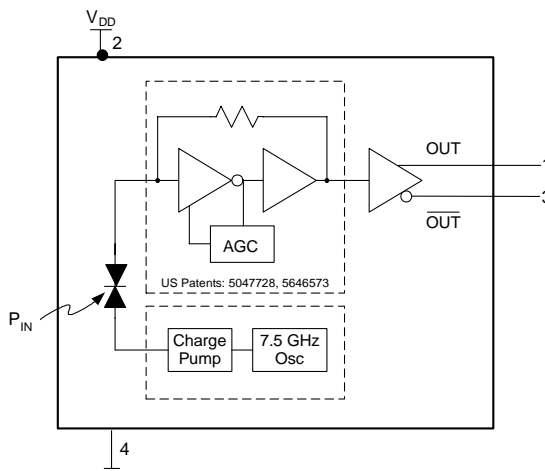
**APPLICATIONS**

- 2x Fibre Channel (2.125 Gb/s)


**Product Description**

The ANADIGICS AMT8301 is a 3.3V monolithically integrated Metal-Semiconductor-Metal (MSM) photodetector and transimpedance amplifier (TIA) used to convert an 850nm input optical signal into a differential output voltage, and is manufactured in ANADIGICS' 6" GaAs wafer fabrication facility. The integrated MSM and TIA receiver maximizes the receiver performance by minimizing the photodetector input parasitics to the TIA and

internally biasing the photodetector to achieve high sensitivity, bandwidth and overload performance. As an integrated product the reliability is inherently better than a discrete solution, and both the MSM-TIA integrated circuit and TO46 flat window and TO46 lens packaged receiver pass stringent reliability requirements. These products are readily designed into receivers and transceivers for 2X Fibre Channel applications.

**Figure 1: AMT8301 Equivalent Circuit**


**Table 1: Absolute Maximum Ratings**

$V_{DD}$	6.0V
$P_{IN}$	+5dBm
$T_S$	Storage Temp. - 65 °C to 125 °C

**Table 2: Electrical Characteristics**

PARAMETER	MIN	TYP	MAX	UNIT
Wavelength ( $\lambda$ )	770	850	860	nm
Detector Diameter	-	100	-	$\mu$ m
Small Signal Differential Responsivity <sup>(1)</sup> (@ 50 MHz)	1000	-	-	V/W
Bandwidth <sup>(1)</sup>	1400	1900	-	MHz
Low Frequency Cutoff	-	-	300	kHz
Output Resistance	-	40	-	$\Omega$
Optical Overload <sup>(2)</sup>	0	-	-	dBm
Optical Sensitivity <sup>(2)</sup>	-19	-	-	dBm
Differential Output Voltage <sup>(3)</sup>	-	750	-	mV
$T_{RISE}$ and $T_{FALL}$ (20-80%) <sup>(3)</sup>	-	140	-	ps
Duty Cycle Distortion <sup>(3)</sup>	-	5	-	%
Total Jitter <sup>(3), (4)</sup>	-	50	-	ps
Supply Current	-	35	55	mA
Operating Voltage Range	+ 3.0	+3.3	+3.6	Volts
Operating Case Temperature Range	0	-	80	°C

(1) Measured at -14 dBm optical input power with output connected into  $R_L = 100\Omega$  (differential)

(2) Measured at  $10^{-10}$  BER with a  $2^7-1$  PRBS at 2.125 Gb/s

(3) Measured with a  $2^7-1$  PRBS at 2.125 Gb/s, an input optical power of -3dBm and  $R_L = 100 \Omega$  (differential)

(4)  $6\sigma$  about the center eye crossing

**Table 3: Package PIN Description**

Pin	Description	Comment
1	$V_{OUT}$ - TIA Output Voltage (non-Inverted)	Logical '1' with optical input
2	$V_{DD}$ - Positive Supply Voltage	+3.3 Volts
3	$\overline{V_{OUT}}$ - TIA Output Voltage (Inverted)	Logical '0' with optical input
4	Ground	Case is grounded

Figure 2: Eye Diagram with an Optical Input Power of -18dBm

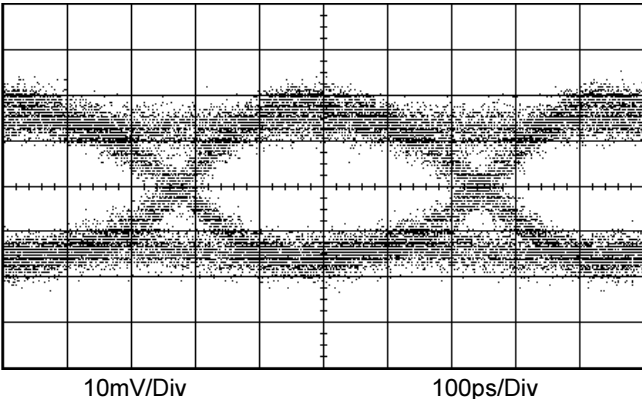


Figure 3: Eye Diagram with an Optical Input Power of -8.0dBm

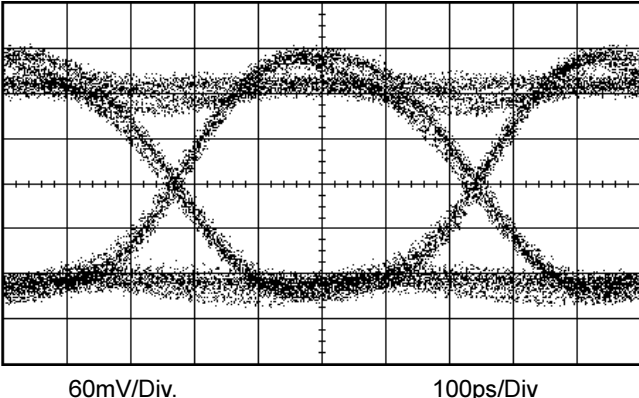


Figure 4: Eye Diagram with an Optical Input Power of 0dBm

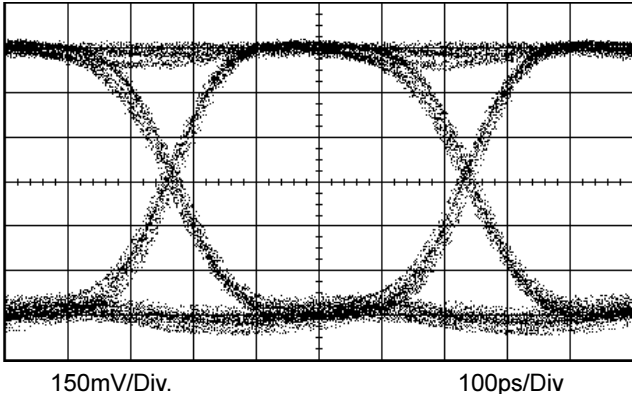


Figure 5: Supply Current vs. Temperature

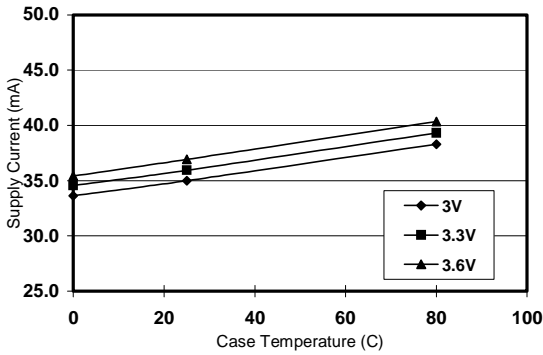


Figure 6: Bandwidth vs. Temperature

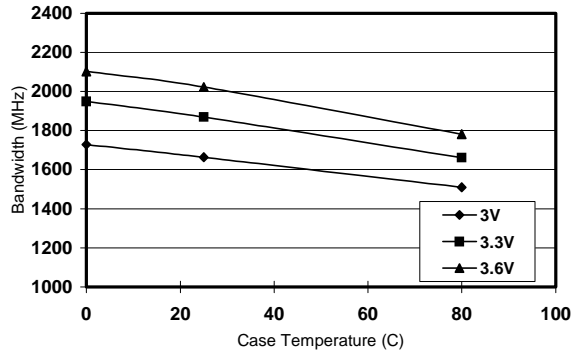


Figure 7: Differential Responsivity vs. Temperature

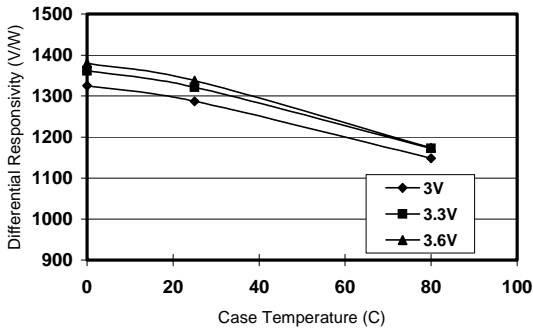


Figure 8: Sensitivity vs. Temperature

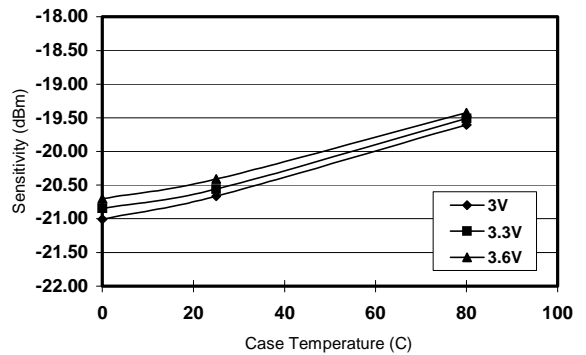


Figure 9: Test Setup for Frequency Response

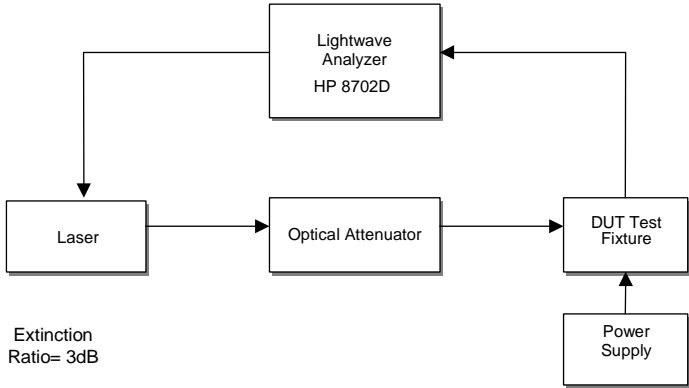


Figure 10: Test Setup for Sensitivity

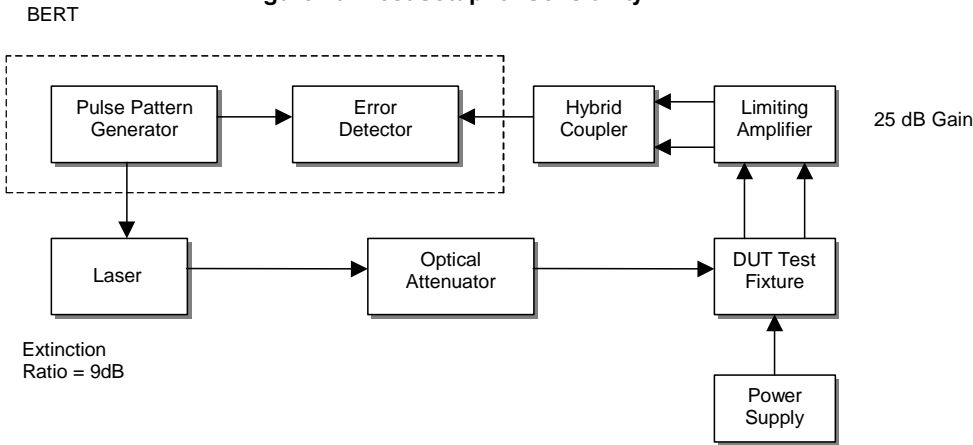


Figure 11: Test Setup for Eye Measurements

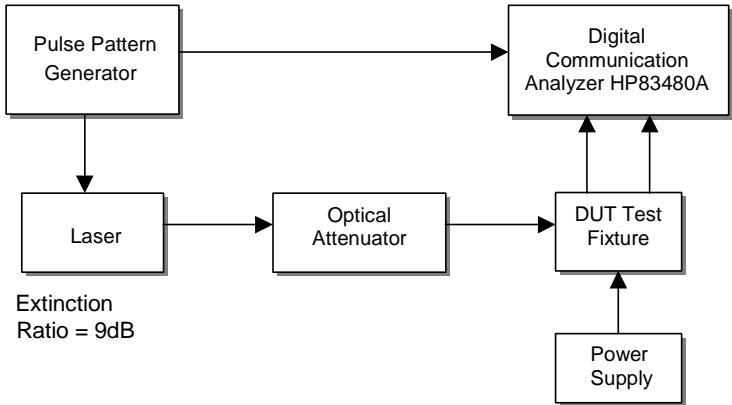


Figure 12: DUT Test Fixture Schematic

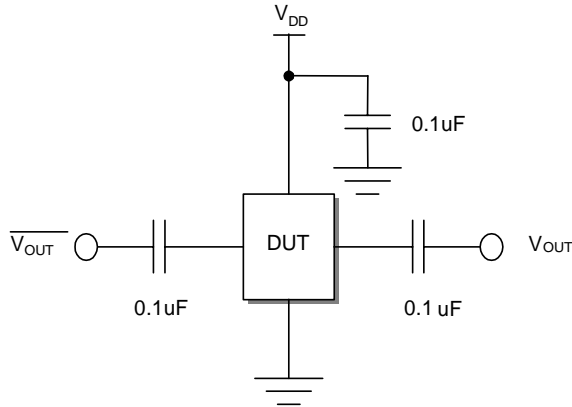
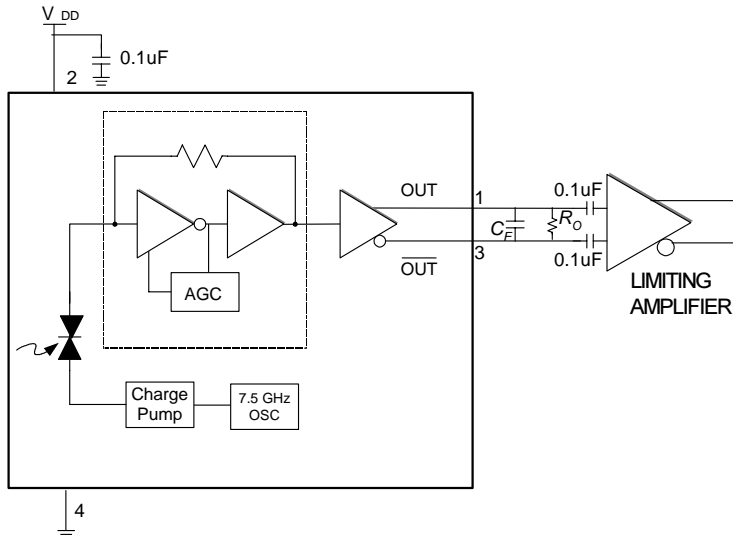


Figure 13: Application Schematic



$C_F$  is an optional single pole noise filter

$$C_F = \frac{1}{2\pi f_c R}$$

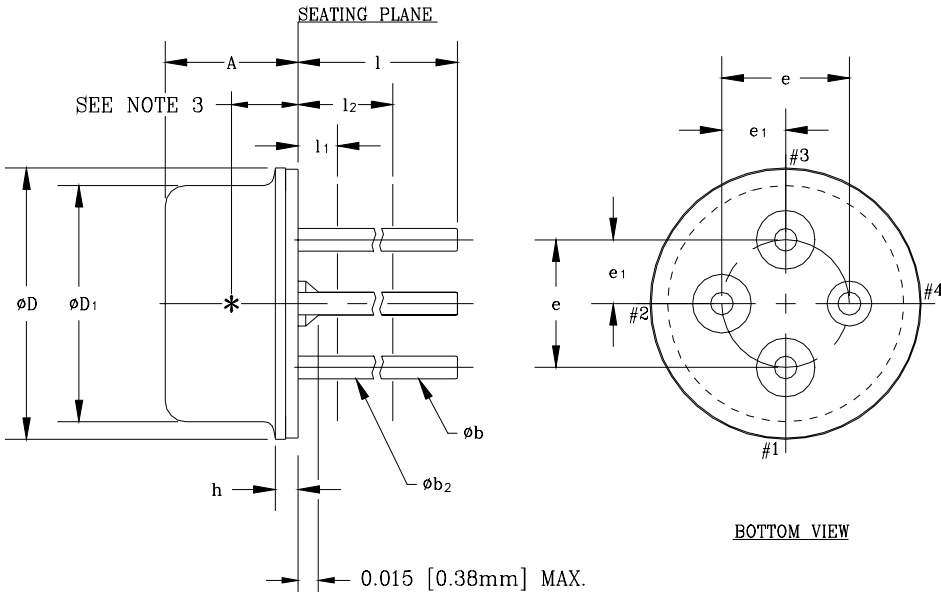
$f_c$  is the desired cutoff frequency

$$R = 50 \Omega$$

$R_O$  is required with high input resistance limiting amplifiers

$$R_O = 100 \Omega$$

Figure 14: T46F Package Outline Diagram



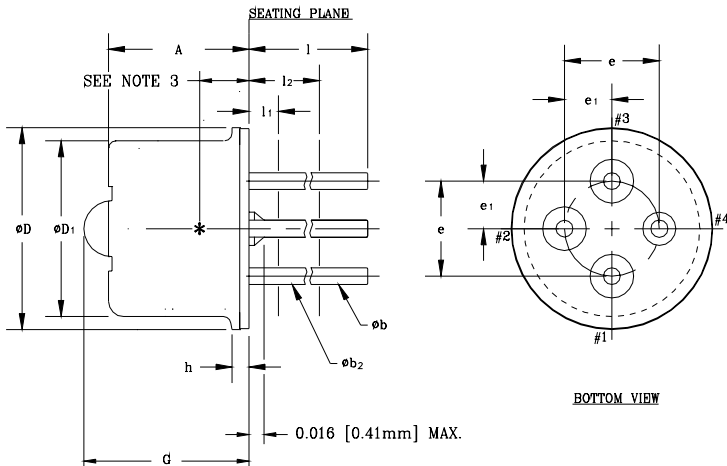
MM CONTROLLING DIMENSIONS

S <sub>M</sub> B <sub>OL</sub>	INCHES		MILLIMETERS		NOTE
	MIN.	MAX.	MIN.	MAX.	
A	0.098	0.110	2.50	2.80	
φb	0.016	0.020	0.41	0.51	1
φb2	0.012	0.019	0.30	0.48	1
φD	0.212	0.218	5.38	5.54	
φD1	0.181	0.187	4.60	4.75	
e	0.100 T.P.		2.54 T.P.		2
e1	0.050 T.P.		1.27 T.P.		2
h	0.014	0.022	0.36	0.56	
l	0.500	0.540	12.70	13.70	1
l1	-	0.050	-	1.27	1
l2	0.250	-	6.35	-	1

NOTES:

1. (FOUR LEADS) φb2 APPLIES BETWEEN l1 AND l2 . φb APPLIES BETWEEN l2 AND 0.5 [12.70mm] FROM SEATING PLANE. DIAMETER IS UNCONTROLLED IN l1 AND BEYOND 0.5 [12.70mm] TO END OF PIN.
2. MAXIMUM DIAMETER LEADS AT A GAGING PLANE 0.054 [1.37mm]+0.001 [0.025mm] -0.000 [0.000mm] BELOW SEATING PLANE TO BE WITHIN 0.007 [0.178mm] OF THEIR TRUE POSITION RELATIVE TO MAXIMUM-WIDTH TAB AND TO THE MAXIMUM 0.212 [5.40mm] DIAMETER MEASURED WITH A SUITABLE GAGE. WHEN GAGE IS NOT USED, MEASUREMENT WILL BE MADE AT 0.250 [6.35mm] FROM SEATING PLANE.
3. INTERNAL OPTICAL HEIGHT = 0.052±0.003[1.31±.08]
4. BENT LEADS SHOULD NOT EXTEND OUTSIDE DIAMETER (φD) OF CAP OR TOUCH EACH OTHER.
5. ALL DIMENSIONS ARE REFERENCE ONLY-EXCEPT A, D & h.
6. DETECTOR DIODE PLACEMENT ACCURACY: ⊕0.15MM[0.006] WITH RESPECT TO CENTER OF HEADER.(REF.ONLY)

Figure 15: T46L Package Outline Diagram



MM CONTROLLING DIMENSIONS

S <sub>M</sub> ø <sub>b</sub> ø <sub>D</sub>	INCHES		MILLIMETERS		NOTE
	MIN.	MAX.	MIN.	MAX.	
A	--	0.160	--	4.00	
øb	0.016	0.020	0.41	0.51	1
øb2	0.012	0.019	0.30	0.48	1
øD	0.212	0.218	5.38	5.54	
øD1	0.181	0.187	4.60	4.75	
e	0.100	T.P.	2.54	T.P.	2
e1	0.050	T.P.	1.27	T.P.	2
h	0.014	0.022	0.36	0.56	
l	0.500	0.540	12.70	13.70	1
l1	--	0.050	--	1.27	1
l2	0.250	--	6.35	--	1
G	--	0.190	--	4.66	7

NOTES:

- (FOUR LEADS) øb2 APPLIES BETWEEN l1 AND l2. øb APPLIES BETWEEN l2 AND 0.5 [12.70mm] FROM SEATING PLANE. DIAMETER IS UNCONTROLLED IN l1 AND BEYOND 0.5 [12.70mm] TO END OF PIN.
- MAXIMUM DIAMETER LEADS AT A GAGING PLANE 0.054 [1.37mm]+0.001 [0.025mm] -0.000 [0.000mm] BELOW SEATING PLANE TO BE WITHIN 0.007 [0.178mm] OF THEIR TRUE POSITION RELATIVE TO MAXIMUM-WIDTH TAB AND TO THE MAXIMUM 0.212 [5.40mm] DIAMETER MEASURED WITH A SUITABLE GAGE. WHEN GAGE IS NOT USED, MEASUREMENT WILL BE MADE AT 0.250 [6.35mm] FROM SEATING PLANE.
- INTERNAL OPTICAL HEIGHT = 0.052±0.003[1.32±0.08] DIE PLACEMENT ACCURACY FOR REF. ONLY.
- BENT LEADS SHOULD NOT EXTEND OUTSIDE DIAMETER (øD) OF CAP OR TOUCH EACH OTHER.
- ALL DIMENSIONS ARE REFERENCE ONLY-EXCEPT A, D & h.
- DETECTOR DIODE PLACEMENT ACCURACY: ø±0.15MM[0.006] ALL DIRECTIONS
- LENS HEIGHT = 0.65±0.1 [0.026±0.004]



Ordering Information

Part Number	Package Option	Package Description
AMT8301T46F	TO-46F	Ultra Flat Window Package
AMT8301T46L	TO-46L	Lens Package

Notes

Notes



**ANADIGICS, Inc.**

141 Mount Bethel Road

Warren, New Jersey 07059, U.S.A

Tel: +1 (908) 668-5000

Fax: +1 (908) 668-5132

<http://www.anadigics.com>

[Mktg@anadigics.com](mailto:Mktg@anadigics.com)

#### **IMPORTANT NOTICE**

ANADIGICS, Inc. reserves the right to make changes to its products or discontinue any product at any time without notice. The Advanced Product data sheets and product specifications contained in this data sheet are subject to change prior to a products formal introduction. The information in this data sheet has been carefully checked and is assumed to be reliable. However, ANADIGICS assumes no responsibility for inaccuracies. ANADIGICS strongly urges customers to verify that the information they are using is current before placing orders.

#### **WARNING**

ANADIGICS products are not intended for use in life support appliances, devices, or systems. Use of an ANADIGICS product in any such application without written consent is prohibited.