

# AN7470

## FM Stereo Multiplex Demodulator

### ■ Description

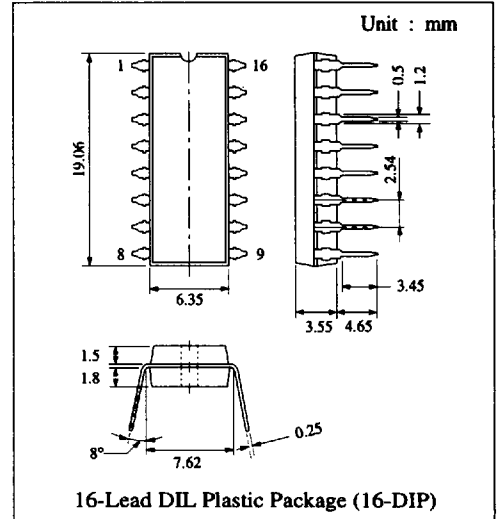
The AN7470 is a monolithic integrated circuit designed for FM multiplex demodulator circuit for high-class stereo FM tuners.

### ■ Features

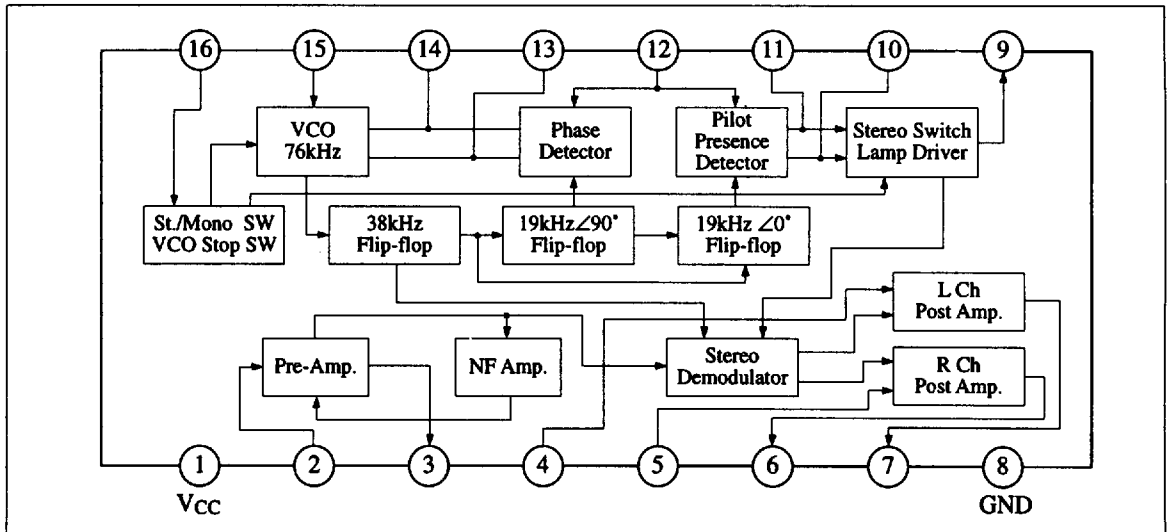
- Small shock noise from switching operation (ON/OFF)
- Perfect synchronization for stereo/monaural switching operation and stereo lamp
- Built-in post amplifier

### ■ Pin

Pin No	Pin Name	Pin No	Pin Name
1	V <sub>CC</sub>	9	Stereo Indicator and VCO freq. Monitor
2	Composite Signal Input	10	Pilot Det. Low-pass Filter
3	Buffer Amp. Output	11	Pilot Det. Low-pass Filter
4	L Ch. Amp. Feedback	12	Pilot Signal Input
5	R Ch. Amp. Feedback	13	PLL Low-pass Filter
6	R Ch. Amp. Output	14	PLL Low-pass Filter
7	L Ch. Amp. Output	15	VCO RC Time Const.
8	GND	16	Forced Mono. VCO Killer



### ■ Block Diagram





■ Characteristics Curve

