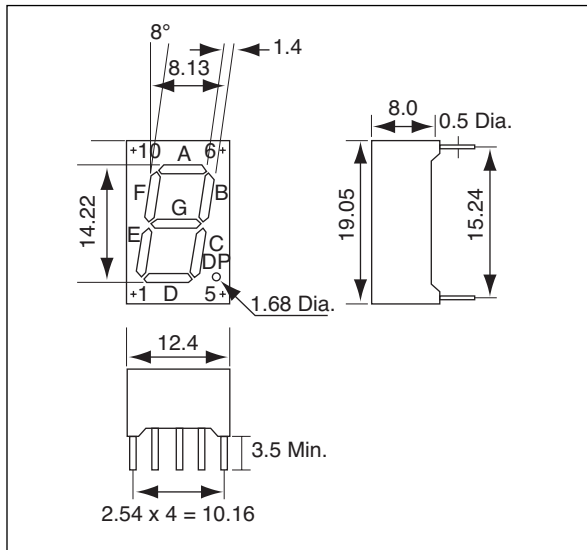


Unit: mm



Product specifications contained herein may be changed without prior notice. It is therefore advisable to contact Purdy Electronics before proceeding with the design of equipment incorporating this product.

AND-5610 Series

GaAsP/GaP-Red; GaP-Green

7 Segment, 0.56 Inch

Features

- 0.56 inch character height
- Available in red or green
- Suitable for numerical readout for instrument and industrial products
- Industry pin-for-pin compatibility
- Available in both common cathode and common anode

• RoHS Compliant

Description

Size	Number of Digits	Common		Color		Number of Pins
		Cathode	Anode	Display	Face	
0.56 inch	1	AND-5610SCL	AND-5610SAL	Red	Red	10
0.56 inch	1	AND-5610GCL	AND-5610GAL	Green	Gray	10

Absolute Maximum Ratings (T = 25°C)

Characteristics	Symbol	Rating	Unit
DC Forward Current/Segment	$I_F(\text{DC})/\text{SEG}$	30	mA
Pulse Forward Current/Segment	I_{FP}/SEG	100	mA
Reverse Voltage/Segment	V_R	3 (Red), 5 (Green)	V
Operating Temperature Range	T_{Opr}	-25 to 85	°C
Storage Temperature Range	T_{Stg}	-25 to 100	°C

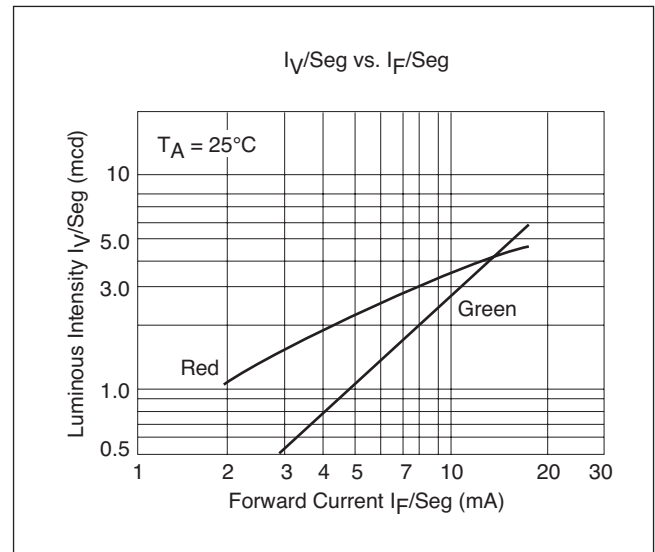
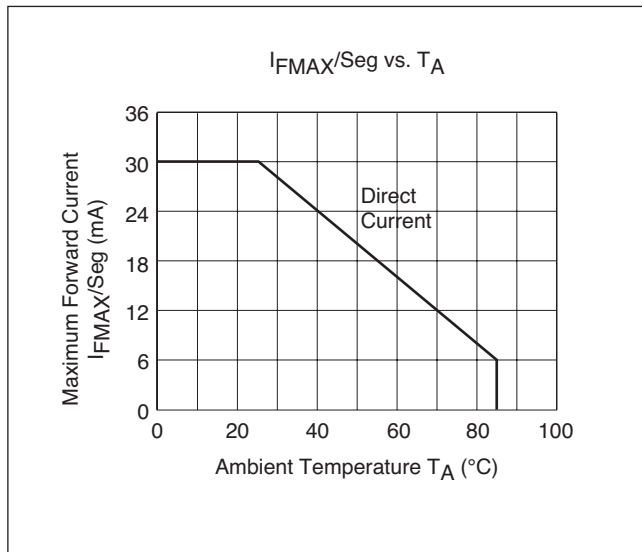
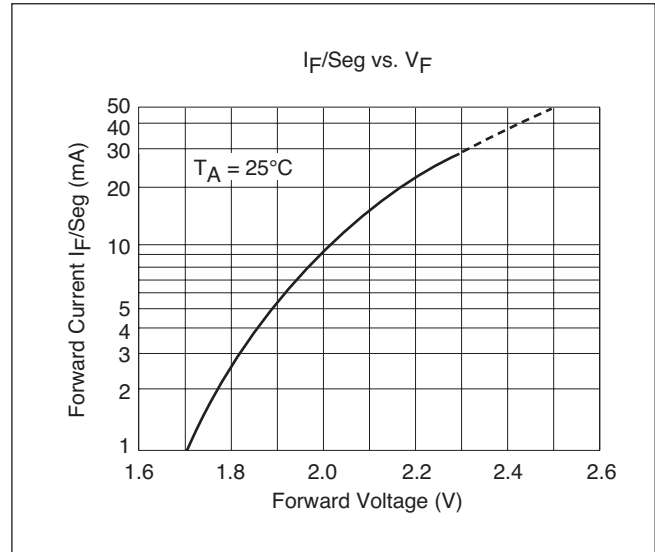
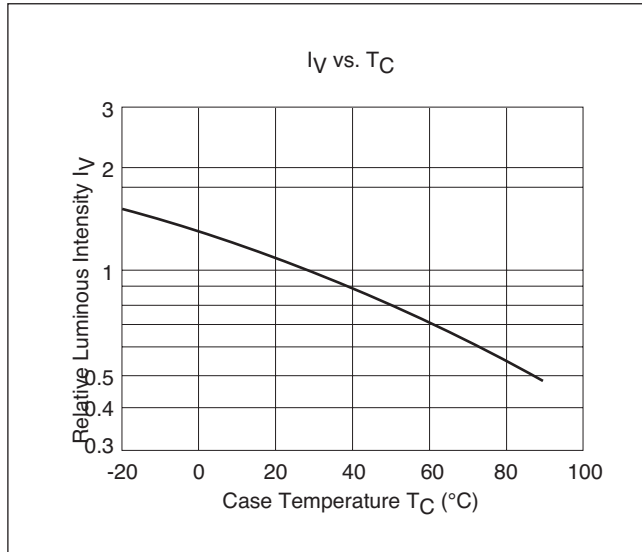
Electro-Optical Characteristics (T = 25°C)

Characteristics	Symbol	Test Condition	Minimum	Typical	Maximum	Unit
Forward Voltage	V_F	$I_F = 10 \text{ mA}$	-	2.1	3.0	V
Reverse Current	I_R	$V_R = 3 \text{ (Red)}, 5 \text{ (Green)}$	-	-	100	μA
Luminous Intensity Per Segment	Red	$I_F = 10 \text{ mA}$	2.0	3.3	-	mcd
	Green	$I_F = 10 \text{ mA}$	1.7	2.9	-	mcd
Peak Emission Wavelength	Red	$I_F = 10 \text{ mA}$	-	635	-	nm
	Green	$I_F = 10 \text{ mA}$	-	567	-	nm
Spectral Line Half Width	Red	$I_F = 10 \text{ mA}$	-	40	-	nm
	Green	$I_F = 10 \text{ mA}$	-	30	-	nm

Precaution

Please be careful of the following:

1. Soldering temperature: 260°C max; Soldering time: 3 sec. max; Soldering portion of lead: up to 2 mm from the body of the device.
2. The lead can be formed up to 5 mm from the body of the device without forming stress. Soldering should be performed after the lead forming.



AND-5610 Series Pin Connection Table

AND-5610SCL/GCL			
Pin	Connection	Pin	Connection
1	Anode E	6	Anode B
2	Anode D	7	Anode A
3	Common Cathode	8	Common Cathode
4	Anode C	9	Anode F
5	Anode Dp	10	Anode G

AND-5610SAL/GAL			
Pin	Connection	Pin	Connection
1	Cathode E	6	Cathode B
2	Cathode D	7	Cathode A
3	Common Anode	8	Common Anode
4	Cathode C	9	Cathode F
5	Cathode Dp	10	Cathode G