

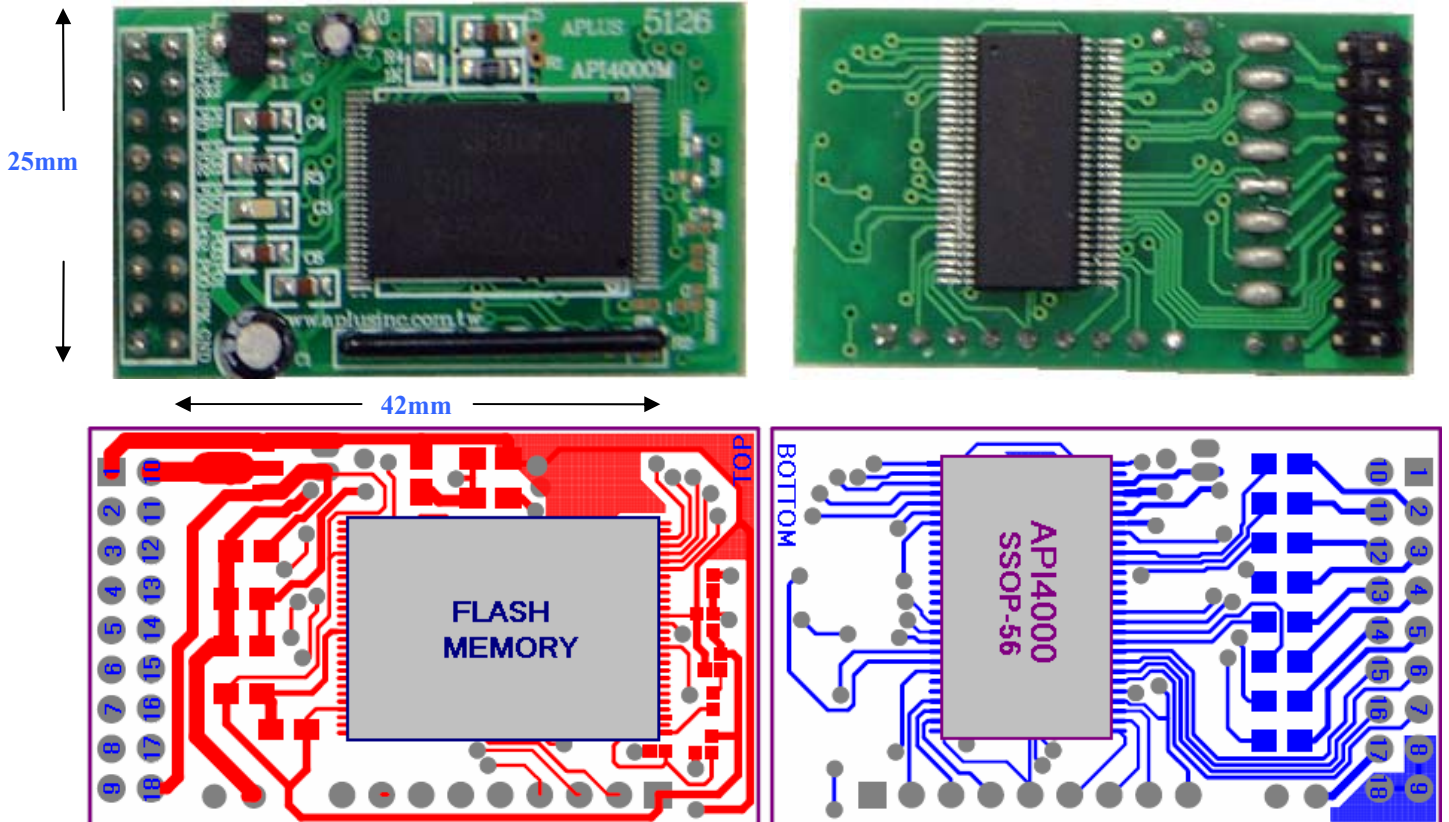
■ GENERAL DESCRIPTION

API4000M is a 4-channel Sound Generator which consists of Melody-Controller and Micro-Controller. API4000M can directly drive Speaker by the Power Amplifier inside, It has 12 I/O Ports connect with other units. API4000M give 24Bit parallel Address Bus and 8Bit parallel Data Bus for connecting with the Memory from outside, it can process data maximum 128M bits, it commendatory apply to the product which use high quality voice and music synthesizer.

■ FEATURE

- *. 4-channel Sound Generator with Melody
- *. VCC = 2.7V ~ 5V
- *. 4bit ADPCM
- *. 24bit Address Bus, 8bit Data Bus
- *. 42 Instruction Set
- *. 12 Input/Output Data Port
- *. Built-In Power Amplifier

PART NO.	VOICE DURATIONS
API4000M2	22 min.
API4000M4	44 min.
API4000M8	88 min.



■ ABSOLUTE MAXIMUM RATING

Supply Voltage (VDD to GND)	-----	5V
Input Voltage Range	-----	(GND- 0.3V) to (VDD + 0.3V)
Operating Temperature Range	-----	0°C to +60°C

■ ELECTRICAL CHARACTERISTICS

(VDD=4.5V , GND=0V , Ta=+25°C , unless otherwise noted)

PARAMETER	CONDITIONS	MIN	TYP	MAX	UNITS
Standby Current	Chip Shut Down			10	uA
Operating Current	Sound On 8 ohm Speaker		50		mA
Input low voltage	Input Pins exclude AmpIn			0.8	V
Input high voltage	Input Pins exclude AmpIn	3.2			V
output low voltage	Iout = -0.1mA for Output Pins			0.5	V
output high voltage	Iout = 0.1mA for Output Pins	3.8			V

■ PIN DESCRIPTION

NO	Pin Name	Description
1	VDDD	Digital Positive Power Supply
2	VDDA	Analog Positive Power Supply
3	GNDD	Digital Negative Power Supply
4	GNDA	Analog Negative Power Supply
5	AMPOUT	Power Amplifier Output
6	AMPIN	Power Amplifier Input
7	OSC1	Oscillator Input
8	OSC2	Oscillator Output
9	PI3	Data Input Pin
10	PI2 ~ PI0	Data Input/Output Pins
11	PIO3 ~ PIO0	Data Input/Output Pins
12	PO3 ~ PO0	Data Output Pins
13	CEN	Memory Chip Enable Pin , Low Active
14	OEN	Memory Data Out Enable Pin , Low Active
15	D7 ~ D0	Memory Data Input Pins
16	A23 ~ A0	Memory Address Output Pins

■ Functional Description

A. Micro-Controller

The Micro-Controller inside API4000M is a 8Bit Processor, it has 2 groups Data Bank each has 16 X 8 Bit Register, the Function for processing Data: Addition , Subtraction , logical AND , Moving , Shift and the other Basic Function. It also has Address Jump , Data Input , Data Output , Sound Control , MelodyControl and the other Advanced Function.

Here is the list of 42 instruction in API4000M, each instruction has its Format and Description.

1. JUMP

Instruction Format	Code	Cycle	Bytes	Instruction Description
JUMP INTR1, Pn ;	01	2	3	if INTR1 = 1, Program Address(PC) will jump to Pn.
JUMP INTR2, Pn ;	02	2	3	if INTR2 = 1, Program Address (PC)will jump to Pn.
JUMP INTR3, Pn ;	03	2	3	if INTR3 = 1, Program Address (PC)will jump to Pn.
JUMP INTR4, Pn ;	04	2	3	if INTR4 = 1, Program Address(PC) will jump to Pn.
JUMP ADDR, Pn ;	05	2	3	Program Address(PC) direct jump to Pn.
JUMP CO0, Pn ;	06	2	3	if carry out = 0,Program Address(PC) will jump to Pn.
JUMP CO1, Pn ;	07	2	3	if carry out = 1,Program Address(PC) will jump to Pn.

PS :

- (1). Code : Code of instruction.
- (2). Cycle : Time to executive instruction, 1Cycle = 64 clock period.
- (3). Bytes : Size of instruction, 1 Byte = 8 Bits.
- (4). Pn : Address in Program, e.g. P123 ; n = 0 ~ 9999.
- (5). INTR1 : Key In signal.
- (6). INTR2 : Song End signal.
- (7). INTR3 : Sound End signal.
- (8). INTR4 : Change Instrument signal.

2. Register & Data

Instruction Format	Code	Cycle	Bytes	Instruction Description
ADDC Rn, Data ;	6n	1	2	The value of Rn adds Data,only set Carry but don't change the value of Rn. (Rn + Data →C=?)
ADDD Rn, Data ;	7n	1	2	Rn ←Rn + Data
ANDD Rn, Data ;	4n	1	2	The value of Rn logical AND Data,set the solution to Rn. (Rn ← Rn AND Data)
MOVD Rn, Data ;	5n	1	2	set Rn ← Data.
SUBDC Rn, Data ;	En	1	2	The value of Rn subduct Data, only return Carry but don't change the value of Rn.(Rn-Data→C?)
SUBD Rn, Data ;	Fn	1	2	Rn ← Rn - Data

PS :

- (1). Rn : Number of Register,e.g. R3 ; n = 0 ~ 15.
- (2). Data : a decimal value during 0 ~ 255.

3. Single Register Operation

Instruction Format	Code	Cycle	Bytes	Instruction Description
SHIFTL Rn ;	2n	1	1	Each Bit of Rn Shift to left Bit,shift 0 to D0. i.e. D7←D6←D5←D4←D3←D2←D1←D0←0.
SHIFTR Rn ;	3n	1	1	Each Bit of Rn Shift to right Bit,shift 0 to D7. i.e. 0→D7→D6→D5→D4→D3→D2→D1→D0.
DEC Rn ;	An	1	1	The value of Rn subduct 1,set the solution to Rn. (Rn←Rn-1)
INC Rn ;	Bn	1	1	The value of Rn add 1,set the solution to Rn.(Rn←Rn+1)

4. Operation between two Registers

Instruction Format	Code	Cycle	Bytes	Instruction Description
ADDR Rn, Rm ;	D0	2	2	Rn add Rm, set the amount to Rn..(Rn,←Rn+Rm)
ADDRI Rn, Rm ;	D1	2	2	Rn add Rm and Carry, set the amount to Rn. (Rn←Rn+Rm+C)
ADDRC Rn, Rm ;	D2	2	2	Rn add Rm, only set Carry but don't change the value of Rn and Rm. (Rn+Rm → C?)
SUBR Rn, Rm ;	D4	2	2	Rn subduct Rm, set the difference to Rn. (Rn,←Rn-Rm)
SUBRI Rn, Rm ;	D5	2	2	Rn subduct Rm and Carry, set the difference to Rn. (Rn←Rn-Rm-C)
SUBRC Rn, Rm ;	D6	2	2	Rn subduct Rm, only set Carry but don't change the value of Rn and Rm. (Rn-Rm → C?)
ANDR Rn, Rm ;	D8	2	2	Rn logical AND Rm, set the solution to Rn. (Rn←Rn AND Rm)
MOVR Rn, Rm ;	D9	2	2	Set the value of Rm to Rn. (Rn←Rm)

5. Sound & Melody Control

Instruction Format	Code	Cycle	Bytes	Instruction Description
LDSPADB Cn, Sn ;	1n	2	4	Set the start address of Sound.
LDSPADF Cn, Sn ;	9n	2	4	Set the end address of Sound.
LDMYAD Mn ;	CF	2	4	Set the start address of Melody.
PLAYSP Cn, Data ;	CE	2	3	Play Sound(PS4).
TEMPO Rn ;	8E	1	2	Set Rn to Tempo value of Melody (PS5).
GAIN Rn ;	8F	1	2	Set Rn to the volume of output sound (PS6).

PS :

- (1). Cn : Code of Channel, n = 1A , 1B , 2A , 2B , 3A , 3B , 4A , 4B.
- (2). Sn : Code of Sound,sort by sequence,n = 0 ~ 9999.
- (3). Mn : Code of Melody Song, sort by sequence n = 0 ~ 9999.
- (4). Data : Code of Sound Sample Rate, the value is during 0 ~ 31, reference B.Sound Processor to get more description.
- (5). Reference C. Melody Processor to get more description of Tempo Code.
- (6). Volume is during 0 ~ 63,0 is mute,63 is MAX volume.

6. Input & Output Data

Instruction Format	Code	Cycle	Bytes	Instruction Description
INPUT PA, Rn ;	80	1	2	Set Data Port A to Rn.(Rn ←PA)
INPUT PB, Rn ;	81	1	2	Set Data Port B to Rn. (Rn ←PB)
INPUT PC, Rn ;	82	1	2	Set Data Port C to Rn. (Rn ←PC)
OUT PA, Rn ;	88	1	2	Set the value of Rn to Data Port A. (PA←Rn)
OUT PB, Rn ;	89	1	2	Set the value of Rn to Data Port B. (PB←Rn)
OUT PC, Rn ;	8A	1	2	Set the value of Rn to Data Port C. (PC←Rn)
OUT PD, Rn ;	8B	1	2	Set the value of Rn to Data Port D. (PD←Rn)
OUT PE, Rn ;	8C	1	2	Set the value of Rn to Data Port E. (PE←Rn)

PS :

- (1). PA , PB , PC , PD , PE is Data Port A , B, C, D, E, Reference D. Data Port to get more description.

7. System Control

Instruction Format	Code	Cycle	Bytes	Instruction Description
CLINTR ;	C8	1	1	Clear Interrupt Signal
INTRE ;	C9	1	1	Make system can receive interrupt signal.
SHUTDN ;	CA	1	1	System shutdown.

PS : (1). Before executiving SHUTDN Instruction, be sure to executive INTRE Instruction first to assure system can be restarted after shutdown.

B. Sound Processor

Sound Processor of API4000M use 4 bits ADPCM construction, it has 4 Sound Channel can play music mixed by 4 different type sound. Sample Rate of Sound is during 4KHz ~ 32Khz, each Channel can has different Sample Rate. Each Channel has 2 group Address Register for Sound Data, each group Address Register has a Start Address Register and a End Address Register for Sound Data. Each Sound Channel can be Controlled by Instruction PLAYSP, or Controlled by Melody Processor. Before Play Sound, Address of Sound Data must be set first. The following is the description about setting with Channel, Address, and Sample Rate.

1. Channel :

Cn is the no. of Channel in Instruction LDSPADB, LDSPADF, and PLAYSP. Each Channel has A and B 2 group, A and B can't play together. The folloeing is the Table.

Table B.1

Channel	CH1		CH2		CH3		CH4	
Group	A	B	A	B	A	B	A	B
Cn	C1A	C1B	C2A	C2B	C3A	C3B	C4A	C4B

2. Address :

Sn is the no. of Sound in Instruction LDSPADB and LDSPADF, which is mean the Start Address and End Address of Memory Sound Data. When Sound is Coding, compiler (API4000SE) will define Address of each Sound, the Address can be used when program is compiling. If you want to set Address of Sound, just choice the no. of Sound.

3. Sample Rate :

Data in Instruction PLAYSP is mean Code of Sample Rate, each code is equivalent a Sample Rate. There is 32 type Sample Rate during 4KHz to 32KHz, there is a C.2 Pitch Table in C.Melody Processor.

4. e.g.:

```
LDSPADB  C1A , S9 ;      /* Set CH1A to Start Address of Sound9 */
LDSPADF  C1A , S9 ;      /* Set CH1A to End Address of Sound9 */
PLAYSP   C1A , 19 ;      /* Play Sound9 on CH1, Sample Rate is 16KHz */

LDSPADB  C2B , S21 ;     /* Set CH2B to Start Address of Sound21 */
LDSPADF  C2B , S21 ;     /* Set CH2B to End Address of Sound21 */
PLAYSP   C2B , 19 ;      /* Play Sound21 on CH2, Sample Rate is 16KHz */

LDSPADB  C3A , S123 ;    /* Set CH3A to Start Address of Sound123 */
LDSPADF  C3A , S123 ;    /* Set CH3A to End Address of Sound123 */
PLAYSP   C3A , 0 ;       /* Play Sound123 on CH3, Sample Rate is 4KHz */

LDSPADB  C4B , S888 ;    /* Set CH4B to Start Address of Sound888 */
LDSPADF  C4B , S888 ;    /* Set CH4B to End Address of Sound888 */
PLAYSP   C4B , 0 ;       /* Play Sound888 on CH4, Sample Rate is 4KHz */
```

C. Melody Processor

Melody Processor inside API4000M use Wave Table construction to simulate the tone from musical instrument, It can coinstantaneous play 4 Channel. Each Channel has 2 banks Wave Table, A group is reference Address of treble tone, B group is reference Address of bass tone. treble tone range is during B3(71) ~ B4(83), reference value is B3(71); bass tone range is during E1(40) ~ A#3(70), reference value is A#2(58). Each Melody Note Data is in 2 byte form, 1st byte consists of 5bits Beat Data, 2bits Channel Data, and 1 bit Control Data, 2nd byte consists of 5bits Pitch Data, 1 bit Bank Data, and 2bits Control Data. Melody Processor can processor 32 type Beats, There is a Beat Table on Table C.1.

All processible Pitch range is during E1(40) ~ B4(83), total 36 type Note, Table C.2 is a list about Pitch Data, Note, and Sample Rate. Tempo of Melody is set by Function TEMPO Rn, the value of Rn is from Code value of Tempo, Table C.3 is about their reference.

Instruction LDMYAD Mn is used to set Start Address of Melody Data in Memory, Mn is the Code of Melody, As Melody compiling, compiler(API4000ME) will define Data Address of each Melody, Data Address can be use in coding. You can use Melody Code to set Address of Melody.

Melody's playing is controlled by Instruction OUT PE, Rn, There is description about how to control in D.Input & Output Data. Melody's change instrument and end signal is defined in Melody Data, it will active 2 interrupt signal "Change Instrument" and "Song End", if program detects such signal, it will do correspondent action.

■ C.1 Beat Table :

NO.	Beats/sec	NO.	Beats/sec	NO.	Beats/sec	NO.	Beats/sec
0	1/16	8	9/16	16	18/16	24	36/16
1	2/16	9	10/16	17	20/16	25	40/16
2	3/16	10	11/16	18	22/16	26	44/16
3	4/16	11	12/16	19	24/16	27	48/16
4	5/16	12	13/16	20	26/16	28	52/16
5	6/16	13	14/16	21	28/16	29	56/16
6	7/16	14	15/16	22	30/16	30	60/16
7	8/16	15	16/16	23	32/16	31	64/16

■ C.2 Pitch Table :

Pitch Code	Note	Fs (KHz)
	Bank B	
0	—	4.0
1	E1	5.0
2	F1	5.5
3	F#1	6.0
4	G1	6.5
5	G#1	7.0
6	A1	7.5
7	A#1	8.0
8	B1	8.5
9	C2	9.0
10	C#2	9.5
11	D2	10.1
12	D#2	10.7
13	E2	11.3
14	F2	12.0
15	F#2	12.7

Pitch Code	Note		Fs (KHz)
	Bank B	Bank A	
16	G2	—	13.5
17	G#2	—	14.3
18	A2	—	15.1
19	A#2	B3	16.0
20	B2	C4	17.0
21	C3	C#4	18.0
22	C#3	D4	19.1
23	D3	D#4	20.2
24	D#3	E4	21.4
25	E3	F4	22.7
26	F3	F#4	24.0
27	F#3	G4	25.4
28	G3	G#4	27.0
29	G#3	A4	28.6
30	A3	A#4	30.3
31	A#3	B4	32.0

- PS :
- (1). Pitch Code : 21 , Note number of C3 = 60.
 - (2). Bank A : treble tone; Bank B : bass tone.
 - (3). Fs : Sample Rate when Oscillator Frequency of API4000M is 2816KHz.

■ C.3 Tempo Table

Tempo	Code
234	234
224	233
217	232
206	231
198	230
191	229
184	228
177	227
172	226
166	225
161	224
156	223

Tempo	Code
152	222
147	221
143	220
139	219
135	218
132	217
129	216
126	215
123	214
120	213
117	212
114	211

Tempo	Code
112	210
110	209
107	208
105	207
103	206
101	205
99	204
95	202
89	198
86	196
80	192
74	186

Tempo	Code
68	180
64	176
60	170
57	166
53	158
51	154
47	146
43	136
40	126
30	86

- PS : (1). The value of Tempo when Oscillator Frequency of API4000M is 2816KHz.

D. Input & Output Data

By the 2 Instruction INPUT and OUTPUT, Data can pass inside API4000M, or connect with outside. The following is the description about each Data Port's act.

1. Input Data Port

- (1) **PA** : Input Data Port A is a value consists of Input Pin PIO3 ~ PIO0 and PI3 ~ PI0, Following is their correspondent.

PA	bit7	bit6	bit5	bit4	bit3	bit2	bit1	bit0
Input Pin	PIO3	PIO2	PIO1	PIO0	PI3	PI2	PI1	PI0

PS : If PIO3 ~ PIO0 or PI2 ~ PI0 are set to Out Pin, bit7 ~ bit4 or bit2 ~ bit0 will be Unknown State.

- (2) **PB** : Input Data Port B can make Melody change Channel code of instrument and Instrument Code, Each bit of PB has following act.

PB	bit7	bit6	bit5	bit4	bit3	bit2	bit1	bit0
Item	-	C1	C0	Inst4	Inst3	Inst2	Inst1	Inst0

PS:

- (1). Inst4~Inst0 : Code of Instrument, 0 ~ 31 total 32 type, set as Melody Compiling.
- (2). C1,C0 : Code of Channel;
 - C1=1,C0=1 is CH1 ;
 - C1=0,C0=0 is CH2 ;
 - C1=0,C0=1 is CH3 ;
 - C1=1,C0=0 is CH4 ;

- (3) **PC** : Input Data Port C is display End State of each channel, each pin of PC has following act.

PC	bit7	Bit6	bit5	bit4	bit3	bit2	bit1	bit0
Item	-	-	-	-	Sn4	Sn3	Sn2	Sn1

PS: (1). Sn4 , Sn3 , Sn2 and Sn1 displayed Channel CH4 , CH3 , CH2 and CH1 if had happen Sound End, state 1 means Soind End.

2. Output Data Port

- (1) **PA** : Output Data Port A consists of Output Pin PIO3 ~ PIO0 and PO3 ~ PO0, each bit of PA after API4000M

power on, the initial state is 0, each pin of PA has following act.

PA	bit7	bit6	bit5	bit4	bit3	bit2	bit1	bit0
Output Pin	PIO3	PIO2	PIO1	PIO0	PO3	PO2	PO1	PO0

PS : If PIO3 ~ PIO0 are set to Input Pin, bit7 ~ bit4 will not affect PIO3 ~ PIO0 of state.

(2) **PB** : Output Data Port B consists of Output Pin PI2 ~ PI0, each pin of PB has following act.

PB	bit7	bit6	bit5	bit4	bit3	bit2	bit1	bit0
Output Pin	-	-	-	-	-	PI2	PI1	PI0

PS : If PI2 ~ PI0 are set to Input Pin, bit2 ~ bit0 will not affect PI2 ~ PI0 of state.

(3) **PC** : Output Data Port C can set Each Pin's act of PIO3 ~ PIO0, Following is their correspondent.

bit7	bit6	PIO3	bit5	bit4	PIO2
0	0	Pull-low Input Pin, no input trigger.	0	0	Pull-low Input Pin, no input trigger.
0	1	Pull-low Input Pin, with input trigger.	0	1	Pull-low Input Pin, with input trigger.
1	0	Floating Input Pin, no input trigger.	1	0	Floating Input Pin, no input trigger.
1	1	Output Pin.	1	1	Output Pin.

Bit3	bit2	PIO1	bit1	bit0	PIO0
0	0	Pull-low Input Pin, no input trigger.	0	0	Pull-low Input Pin, no input trigger.
0	1	Pull-low Input Pin, with input trigger.	0	1	Pull-low Input Pin, with input trigger.
1	0	Floating Input Pin, no input trigger.	1	0	Floating Input Pin, no input trigger.
1	1	Output Pin.	1	1	Output Pin.

PS : Each bit of PC after API4000M power on, initial state is 0.

(4) **PD** : Output Data Port D can choice Data Bank, set Operate Voltage, set each pin of PO3 ~ PO0 and PI3 ~ PI0 function, following is their correspondent.

- (a) bit7 not use, bit6 must set to 0.
- (b) bit5 = 0, Operate Voltage is 4.5V; bit5 =1, Operate Voltage is 3.0V.
- (c) bit4 = 0, disable PO3 ~ PO0 each Pin's output; bit4 = 1, enable PO3 ~ PO0 each Pin's output.
- (d) bit3 = 0, set PI2 ~ PI0 to Input Pin ; bit3 = 1, set PI2 ~ PI0 to Output Pin.
- (e) bit2 = 0 set PI3 to Pull-low Input Pin ; bit2 = 1 set PI3 to Floating Input Pin.
- (f) bit1 = 0 set PI2 ~ PI0 to Pull-low Pin ; bit1 = 1 set PI2 ~ PI0 to Floating Pin.
- (g) bit0 = 0 set Data Bank to group A of 16 registers ; bit0 = 1 set Data Bank to group B of 16 registers.
- (h) Each bit of PD after API4000M power on, initial state is 0.

(5) **PE** : Output Data Port E can set Sound and Melody's operate mode, the following is description.

- (a) bit7 must set 0.
- (b) bit6 = 0, Sound Processor Off ; bit6 = 1, Sound Processor On.
- (c) bit5 = 0, Melody Off ; bit5 = 1, Melody Start and On.
- (d) bit4 = 0, no action ; bit4 = 1, Off Melody Channels.
- (e) bit3 = 0, CH4 is Sound Mode ; bit3 = 1, CH4 is Melody Mode.
- (f) bit2 = 0, CH3 is Sound Mode ; bit2 = 1, CH3 is Melody Mode.
- (g) bit1 = 0, CH2 is Sound Mode ; bit1 = 1, CH2 is Melody Mode.
- (h) bit0 = 0, CH1 is Sound Mode ; bit0 = 1, CH1 is Melody Mode.
- (i) After API4000M shut down, Each bit of PE will reset to 0.

E. Memory Data Structure

Program Data, Melody Data, Sound Data of API4000M all input from outside, Each group Data are 8 bits, Input from 8 Memory Data Input Port D7 ~ D0. API4000M can direct control 24bits Memory Address, output from 24 Memory Address Output Port A23 ~ A0. Data in Memory is in order of Program Data, Melody Data, Sound Data. Program Data's Start Address is 000000, Max. Address is 00FFFF, Program Data has max. 64K Bytes. Melody Data's Start Address is continue from Program Data's End Address, Sound Data's Start Address is continue from Melody Data's End Address, Highest Address is FFFFFFFF.

■ PROGRAM GUID

API4000M is controlled by Program to Play Sound or Play Melody, this chapter will describe how to write a Program.

A. Initial State

After API4000M Power On, or wake up again after Shut Down, Program Data Address of API4000M is set on Address 000000. You can use instruction OUTPC, OUTPD in the program's first to set Pin act of PI3 ~ PI0, PIO3 ~ PIO0, and PO3 ~ PO0. Every register in Data Bank after Power On has random initial value, but Shut Down won't change the value.

B. Play Sound

Before Playing Sound, Start Address and End Address of Sound Data which would be played must set on the Channel want Play Sound. Use Instruction LDSPADB and LDSPADF set Address of Sound Data. Otherwise, the Channel must be set to Sound Mode by Data Port PE, Sound Processor must be set on, and use Instruction CLINTR to clear residual INTR3 interrupt signal. Then use Instruction PLAYSP to begin playing sound, use INTR3 to detect interrupt signal, and use Instruction INPUT PC to detect the Sound had play over or not. The channel who doesn't play sound must be set to Melody Mode in Data Port PE, avoid mistake Sound End interrupt signal; exercise Instruction CLINTR, or set Sound Processor to OFF, will clear interrupt signal INTR3.

C. Play Melody

Before Play Melody, except set Sound Data Address to decide instrument, Address of Melody Data also must be set by Instruction LDMYAD, and set value of Melody Tempo, then use Instruction OUT PE set the channel would play to Melody Mode, set Sound Processor ON, trigger to play Melody. When Melody playing, if the interrupt signal INTR4(Change Instrument) be detected, use Instruction INPUT PB to decision which channel need change instrument, reset trible/bass tone reference Sound Data Address of the channel directly. Melody play over will send a interrupt signal INTR2(Song End), If you want pause or stop play Melody play, use Instruction OUT PE to set Melody to OFF.

D. External Interface

PI3 ~ PI0 , PIO3 ~ PIO0 , and PO3 ~ PO0 is the link for API4000M connecting with outside, Instruction INPUT PA, OUT PA, or OUT PB, can input or output Data. PI3 , or PI2 ~ PI0 that set to Input Pin, or PIO3 ~ PIO0 of Input Pin set with Trigger has any pin is High Level, there will send a interrupt signal INTR1(Key In), and Wake Up API4000M in Shut Down. Before exercising Instruction SHUTDN, must exercise Instruction INTRE first, then API4000M can Wake Up again.

E. Sample Program

```
MOVD  R2 , 85 ;          /* R2 = 01010101 */
OUT   PC , R2 ;          /* Set PIO3 ~ PIO0 to Trigger Input Pins */
MOVD  R5 , 50 ;          /* R5 = 50 */
GAIN  R5 ;               /* Set volume Level to 50 */
LDSPADB C1A , S9 ;       /* Set Start Address of Sound9 on CH1A */
LDSPADF C1A , S9 ;       /* Set End Address of Sound9 on CH1A */
MOVD  R3 , 78 ;          /* R3 = 01001110 */
OUT   PE , R3 ;          /* Set CH1 = Sound Mode, Sound Processor = ON */
CLINTR ;                 /* Cleat interrupt signal INTR */
PLAYSP C1A , 19 ;        /* Sample Rate 16KHz , Play Sound9 on CH1 */

P1:
JUMP  INTR3 , P2 ;       /* if Sound End go to P2 */
JUMP  ADDR , P1 ;        /* go to P1 */

P2:
MOVD  R3 , 15 ;          /* R3 = 00001111 */
OUT   PE , R3 ;          /* Set CH1 = Melody Mode, Sound Processor = OFF */
LDSPADB C1B , S11 ;       /* Set Start Address of Sound11 on CH1B */
LDSPADF C1B , S11 ;       /* Set End Address of Sound11 on CH1B */
LDSPADB C1A , S12 ;       /* Set Start Address of Sound12 on CH1A */
LDSPADF C1A , S12 ;       /* Set End Address of Sound12 on CH1A */
LDSPADB C2B , S11 ;       /* Set Start Address of Sound11 on CH2B */
LDSPADF C2B , S11 ;       /* Set End Address of Sound11 on CH2B */
LDSPADB C2A , S12 ;       /* Set Start Address of Sound12 on CH2A */
LDSPADF C2A , S12 ;       /* Set End Address of Sound12 on CH2A */
LDSPADB C3B , S13 ;       /* Set Start Address of Sound13 on CH3B */
LDSPADF C3B , S13 ;       /* Set End Address of Sound13 on CH3B */
LDSPADB C3A , S14 ;       /* Set Start Address of Sound14 on CH3A */
LDSPADF C3A , S14 ;       /* Set End Address of Sound14 on CH3A */
LDSPADB C4B , S15 ;       /* Set Start Address of Sound15 on CH4B */
LDSPADF C4B , S15 ;       /* Set End Address of Sound15 on CH4B */
LDSPADB C4A , S16 ;       /* Set Start Address of Sound16 on CH4A */
LDSPADF C4A , S16 ;       /* Set End Address of Sound16 on CH4A */
LDMYAD M0 ;              /* Set Start Address of Melody Song 0 */
```



```
MOVD R7 , 204 ; /* R7 = 204 */
TEMPO R7 ; /* Set Tempo = 99 */
MOVD R0 , 111 ; /* R0 = 01101111 */
OUT PE , R0 ; /* SetSound Processor = ON,Melody = ON,CH4 ~ CH1 to Melody Mode */
```

P5:

```
JUMP INTR1 , P40 ; /* if Key In go to P40 */
JUMP INTR2 , P30 ; /* if Song End go to P30 */
JUMP INTR4 , P20 ; /* if Change Instrument go to P20 */
JUMP ADDR , P5 ; /* go to P5 */
```

P20:

```
INPUT PB , R8 ; /* read data about changing instrument */
CLINTR ; /* clear INTR4 */
ADDC R8 , 224 ; /* if R8 < 32 */
JUMP CO0 , P22 ; /* if CH2 go to P22 */
ADDC R8 , 192 ; /* if R8 < 64 */
JUMP CO0 , P23 ; /* if CH3 go to P23 */
ADDC R8 , 160 ; /* if R8 < 96 */
JUMP CO0 , P24 ; /* if CH4 go to P24 */
```

P21:

```
LDSPADB C1B , S21 ; /* Set Start Address of Sound21 on CH1B */
LDSPADF C1B , S21 ; /* Set End Address of Sound21 on CH1B */
LDSPADB C1A , S22 ; /* Set Start Address of Sound22 on CH1A */
LDSPADF C1A , S22 ; /* Set End Address of Sound22 on CH1A */
JUMP ADDR , P5 ; /* go to P5 */
```

P22:

```
LDSPADB C2B , S31 ; /* Set Start Address of Sound31 on CH2B */
LDSPADF C2B , S31 ; /* Set End Address of Sound31 on CH2B */
LDSPADB C2A , S32 ; /* Set Start Address of Sound32 on CH2A */
LDSPADF C2A , S32 ; /* Set End Address of Sound32 on CH2A */
JUMP ADDR , P5 ; /* go to P5 */
```

P23:

```
LDSPADB C3B , S33 ; /* Set Start Address of Sound33 on CH3B */
LDSPADF C3B , S33 ; /* Set End Address of Sound33 on CH3B */
LDSPADB C3A , S34 ; /* Set Start Address of Sound34 on CH3A */
LDSPADF C3A , S34 ; /* Set End Address of Sound34 on CH3A */
JUMP ADDR , P5 ; /* go to P5 */
```

P24:

```
LDSPADB C4B , S25 ; /* Set Start Address of Sound25 on CH4B */
LDSPADF C4B , S25 ; /* Set End Address of Sound25 on CH4B */
LDSPADB C4A , S26 ; /* Set Start Address of Sound26 on CH4A */
LDSPADF C4A , S26 ; /* Set End Address of Sound26 on CH4A */
JUMP ADDR , P5 ; /* go to P5 */
```

P30:

```

MOVD  R0 , 15 ;          /* R0 = 00001111 */
OUT   PE , R0 ;          /* Set Sound Processor = OFF, Melody = OFF */
CLINTR ;                 /* clear INTR2 */
JUMP  ADDR , P50 ;       /* go to P50 */

```

P40:

```

INPUT PA , R12 ;         /* read Input Port A data */
ADDC  R12 , 254 ;        /* if R12 < 2 */
JUMP  CO0 , P42 ;        /* if PIO = 1 go to P42 */

```

P41:

```

JUMP  INTR1 , P41 ;      /* if Key In go to P41 */
JUMP  ADDR , P5 ;        /* go to P5 */

```

P42:

```

JUMP  INTR1 , P42 ;      /* if Key In go to P42 */
MOVD  R0 , 15 ;          /* R0 = 00001111 */
OUT   PE , R0 ;          /* Set Sound Processor = OFF, Melody = OFF */

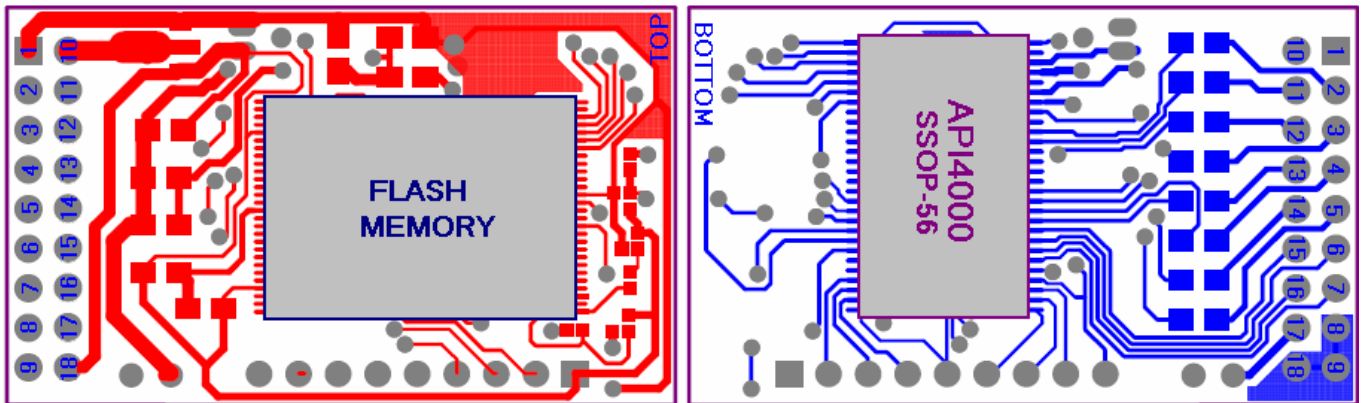
```

P50:

```

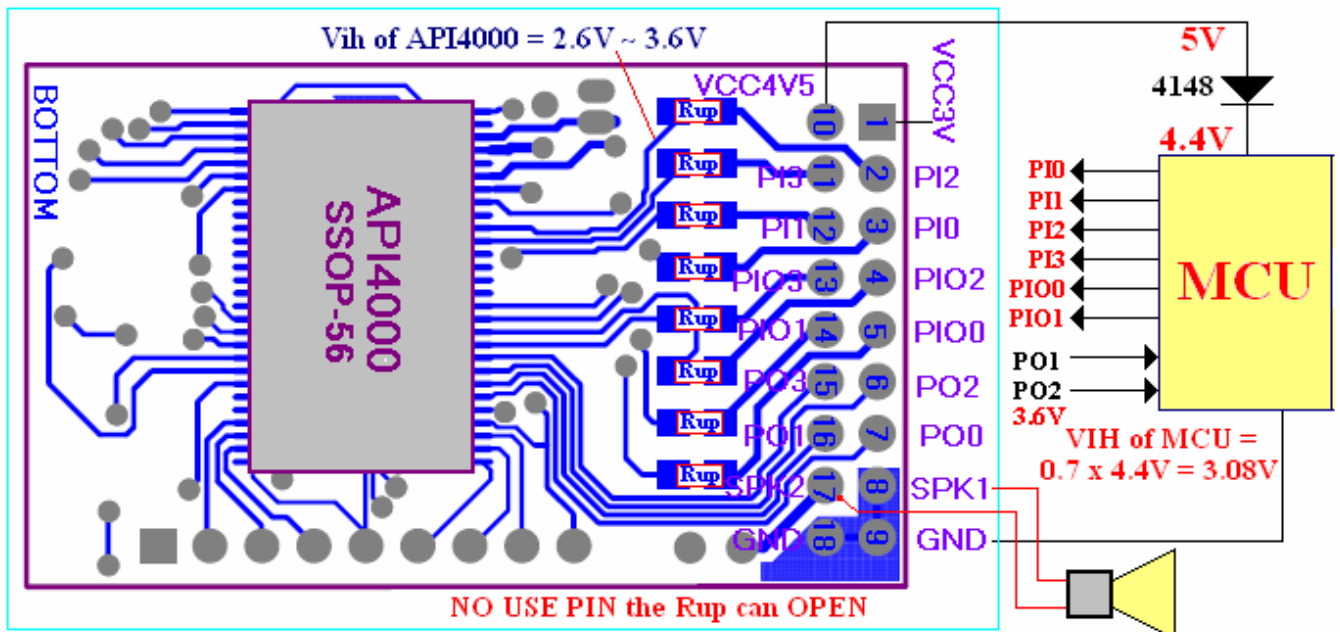
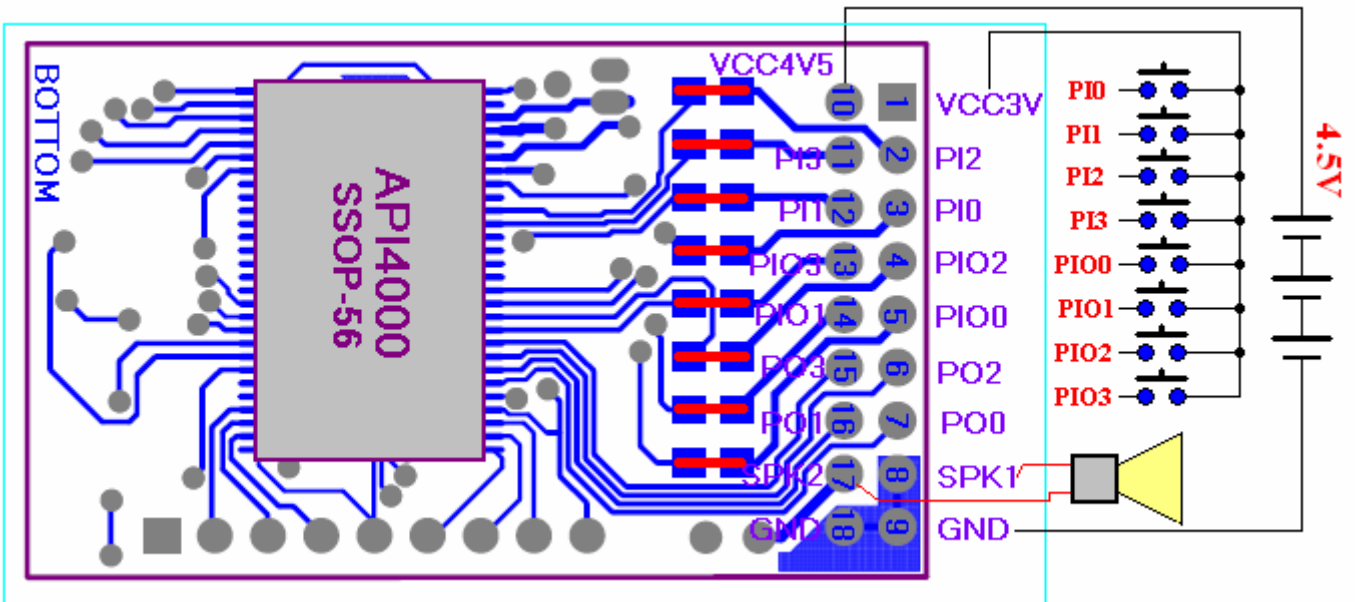
INTRE ;                 /* enable INTR signal */
SHUTDN ;                 /* Shut Down API4000M */
END ;                   /* End of Program , END must put in the end of program */

```

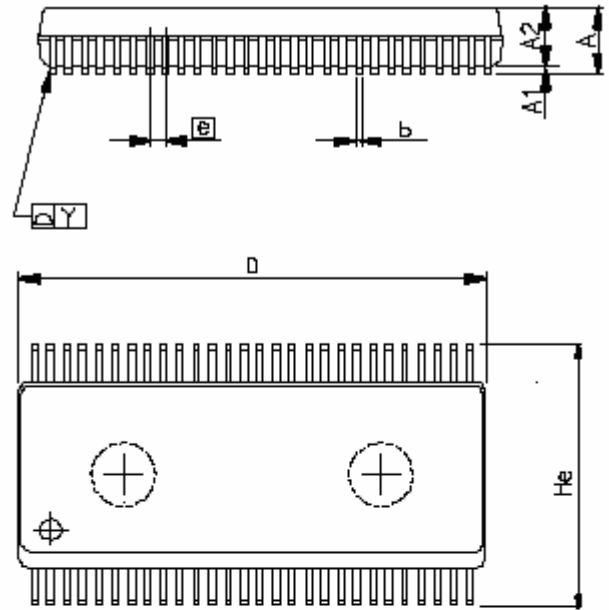
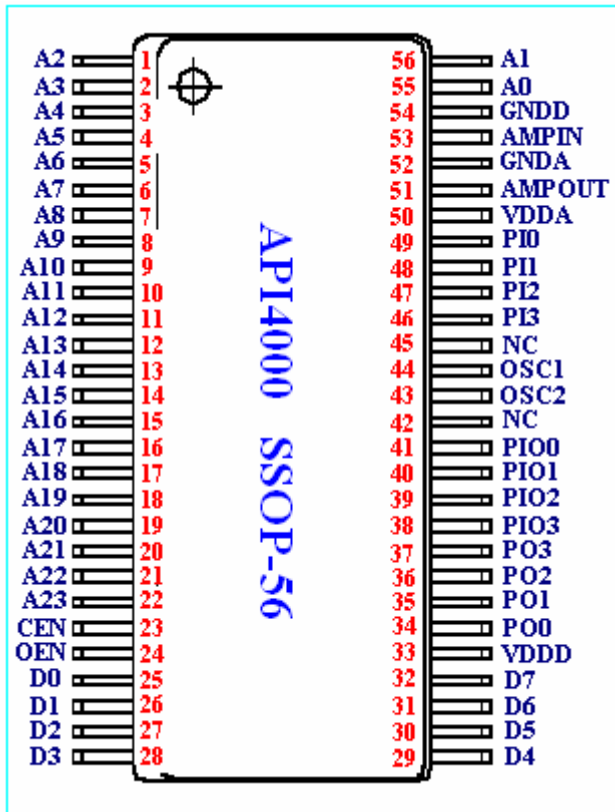


Pin-1	Pin-2	Pin-3	Pin-4	Pin-5	Pin-6	Pin-7	Pin-8	Pin-9
VCC-3V	PI2	PI0	PIO2	PIO0	PO2	PO0	SPK1	GND
Pin-10	Pin-11	Pin-12	Pin-13	Pin-14	Pin-15	Pin-16	Pin-17	Pin-8
VCC4V5	PI3	PI1	PIO3	PIO1	PO3	PO1	SPK2	GND

■ TYPICAL APPLICATION CIRCUIT

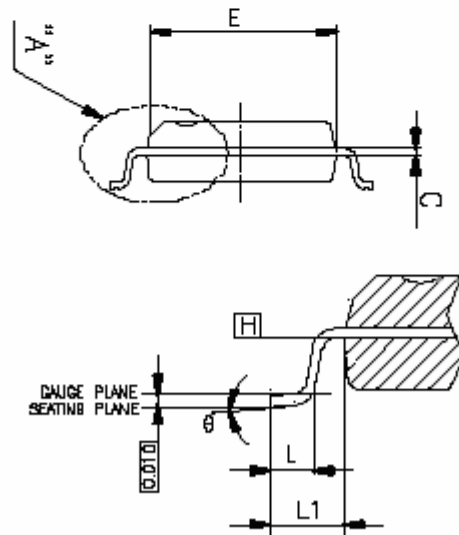


■ API4000 SSOP-56 PIN(300MIL) PACKAGE :



SYMBOLS	MIN.	NOM.	MAX.
A	0.095	0.102	0.110
A1	0.008	0.012	0.016
A2	0.089	0.094	0.099
b	0.008	0.010	0.013
c	-	0.008	-
D	0.720	0.725	0.730
E	0.291	0.295	0.299
e	-	0.025	-
He	0.395	0.406	0.420
L	0.020	0.030	0.040
L1	-	0.056	-
Y	-	-	0.004
φ	φ	-	φ

UNIT : INCH



DETAIL : A

NOTES :

1. JEDEC OUTLINE : MO-118 AB
2. DATUM PLANE \square IS LOCATED AT THE BOTTOM OF THE MOLD PARTING LINE COINCIDENT WITH WHERE THE LEAD EXITS THE BODY.
3. DIMENSIONS E AND D DO NOT INCLUDE MOLD PROTRUSION. ALLOWABLE PROTRUSION IS 6 MIL PER SIDE. DIMENSIONS E AND D DO INCLUDE MOLD MISMATCH AND ARE DETERMINED AT DATUM PLANE \square
4. DIMENSION b DOES NOT INCLUDE DAMBAR PROTRUSION.