

300mA Low Dropout Linear Regulator of Adjustable and Fixed 2.85V , 3.3V

Features

- Low Dropout Voltage of 1.3V at 300mA
- Output Voltage Accuracy $\pm 2.0\%$
- Line Regulation - 1mV (typ.)
- Load Regulation - 6mV (typ.)
- Input Voltage Range up to 9V
- Internal Current Limiting and Thermal Shutdown Protections
- Adjustable Output : 1.25V ~ 7.75V
- Available Output Voltages - Adjustable , 2.85V and 3.3V
- Various SOT-89 and TO-92 Packages Available

- Portable Consumer Equipment
- Low Voltage Systems

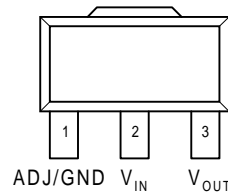
General Description

The APL5883 is a 3-pin low dropout linear regulator with 2.0% accuracy of output voltage over line, load and temperature variations. Dropout voltage at 300mA output current is less than 1.2V. Both output current limiting and thermal shutdown are built in to provide maximal protection to the APL5883 against fault conditions. The over current and thermal shutdown circuits become active when the current exceed 300mA, or the junction temperature reach 150°C. Normal operation is recovered when junction temperature drops below 130°C.

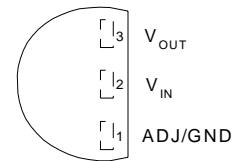
Applications

- Voltage Regulator for CD-ROM Drivers
- Voltage Regulator for LAN Cards
- Wireless Communication Systems
- Portable Instrument

Pin Configuration



SOT-89 (Top View)



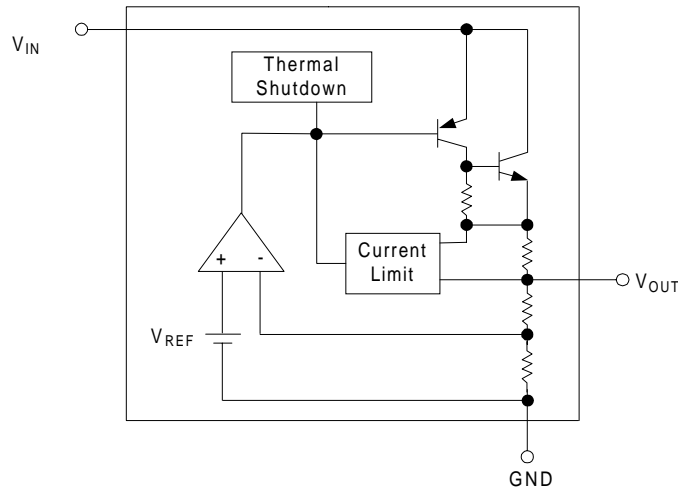
TO-92 (Top View)

Ordering and Marking Information

<p>APL5883 - □□□□ - □□□□</p> <p style="margin-left: 100px;">└─ Lead Free Code</p> <p style="margin-left: 100px;">└─ Handling Code</p> <p style="margin-left: 100px;">└─ Temp. Range</p> <p style="margin-left: 100px;">└─ Package Code</p> <p style="margin-left: 100px;">└─ Voltage Code</p>	<p>Package Code D : SOT-89 E : TO-92</p> <p>Temp. Range C : 0 to 70 °C</p> <p>Handling Code TU : Tube TR : Tape & Reel</p> <p>Voltage Code 28 : 2.85V 33 : 3.3V</p> <p>Blank : Adjustable Version</p> <p>Lead Free Code L : Lead Free Device Blank : Original Device</p>
<p>APL5883 D : APL5883 XXXXX XXXXX - Date Code</p>	<p>APL5883 E : APL 5883 XXXXX XXXXX - Date Code</p>
<p>APL5883 -28 D : APL5883 XXXXX28 XXXXX - Date Code</p>	<p>APL5883-28 E : APL 5883 XXXXX28 XXXXX - Date Code</p>
<p>APL5883 -33 D : APL5883 XXXXX33 XXXXX - Date Code</p>	<p>APL5883 -33 E : APL 5883 XXXXX33 XXXXX - Date Code</p>

ANPEC reserves the right to make changes to improve reliability or manufacturability without notice, and advise customers to obtain the latest version of relevant information to verify before placing orders.

Block Diagram



Absolute Maximum Ratings

Symbol	Parameter	Rating	Unit	
V_{IN}	Input Voltage	9	V	
I_{OUT}	Output Current	300	mA	
T_A	Operating Ambient Temperature Range	0 to 70	°C	
T_J	Operating Ambient Temperature Range	-40 to +150	°C	
T_{STG}	Storage Temperature Range	-65 to +150	°C	
P_D	Power Dissipation Package	Internal Limited		
θ_{JA}	Thermal Resistance	SOT-89	180	°C / W
		TO-92	180	

Electrical Characteristics ($T_A=25^\circ\text{C}$, unless otherwise noted)

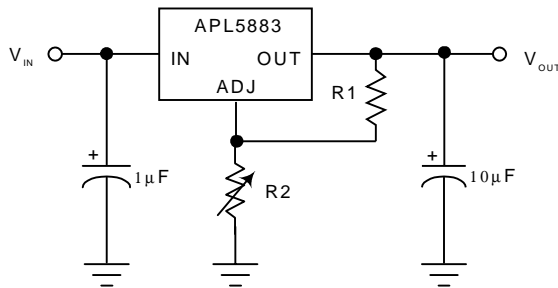
Symbol	Parameter	Test Condition	APL5883			Unit
			Min.	Typ.	Max.	
V_{REF}	Reference Voltage	$1.5V \leq (V_{IN} - V_{OUT}) \leq 7.75V$ $10mA \leq I_{OUT} \leq 300mA$, $T_J = 0 \sim 125^\circ\text{C}$	1.225	1.250	1.275	V
V_{IN}	Input Voltage		$V_{OUT} + 1.3V$		9	V
V_{OUT}	Output Voltage	$I_{OUT} = 10mA$	$0.98 V_{OUT}$		$1.02 V_{OUT}$	V
I_{OUT}	Output Current Capability	$V_{OUT} = 3.3V$, $\Delta V_{OUT} = 2\%$	300			mA
I_{SC}	Short Circuit Current	$V_{OUT} < 0.4V$		500		mA
I_Q	Quiescent Current	$V_{IN} = 5V$, No Load		6	10	mA

Electrical Characteristics cont. ($T_A=25^{\circ}\text{C}$, unless otherwise noted)

Symbol	Parameter	Test Condition	APL5883			Unit
			Min.	Typ.	Max.	
REG _{LINE}	Line Regulation	I _{OUT} =10mA, V _{IN} =5V to 8V		1	6	mV
REG _{LOAD}	Load Regulation	I _{OUT} =1mA~300mA		6	12	mV
V _{DROPOUT}	Dropout Voltage	I _{OUT} =300mA, ΔV _{OUT} =1%		1200	1300	mV
PSRR	Power Supply Rejection Ratio	at 1kHz		55		dB
OTS	Over Temperature Shutdown			150		°C
E _N	Output Noise			100		μVrms
TC	Output Voltage Temperature Coefficient			100		ppm/°C

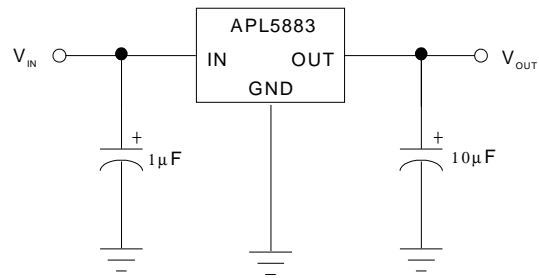
Application Schematic

1.25V to 7V Adjustable Regulator



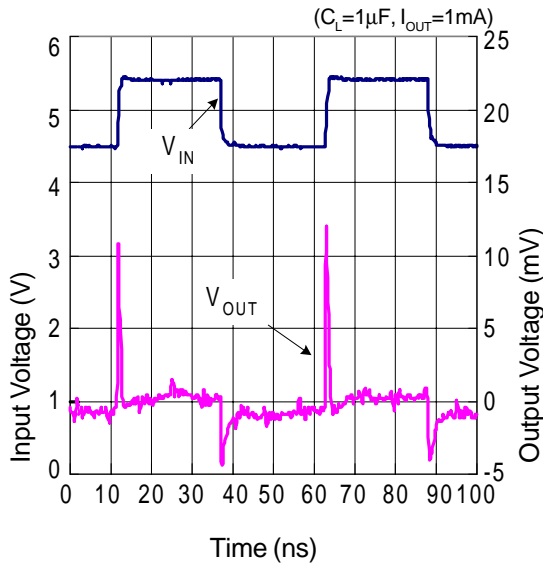
$$V_{OUT} = 1.250V \times \frac{R1 + R2}{R1}$$

Fixed 2.85 and 3.3V Regulator

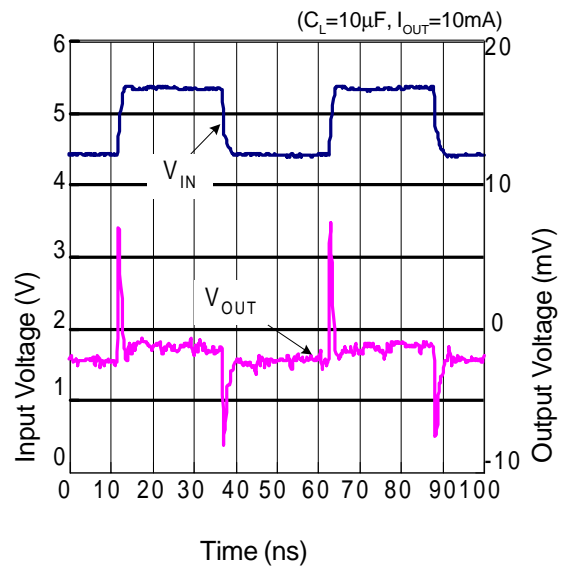


Typical Characteristics

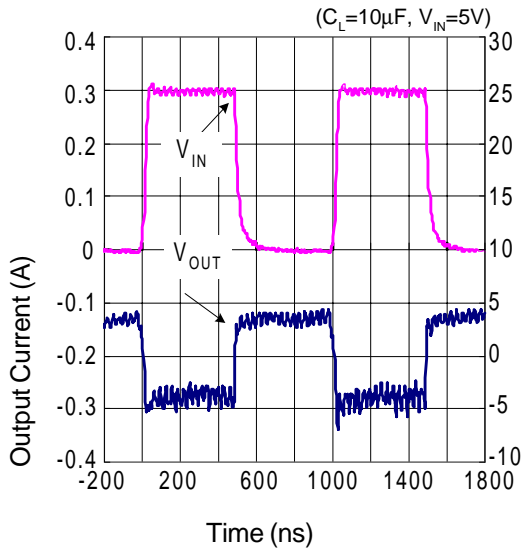
Line Transient Response



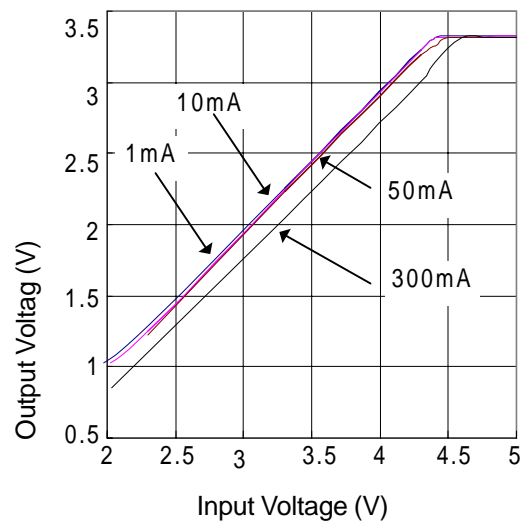
Line Transient Response



Load Transient Response

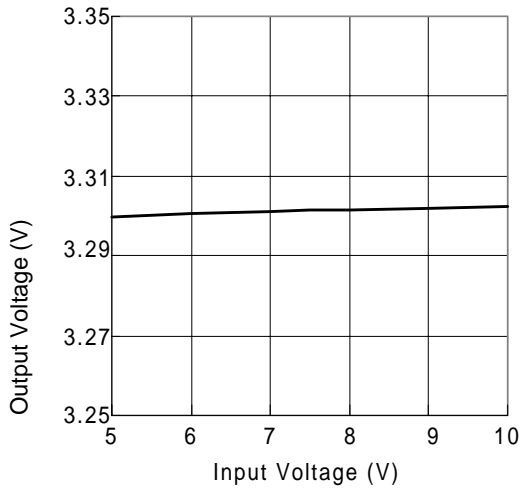


Output Voltage vs. Input Voltage

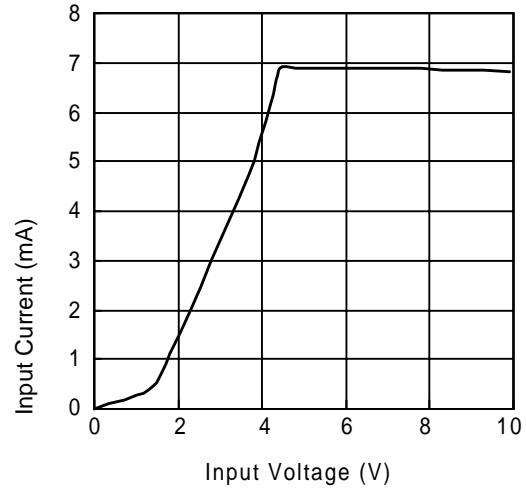


Typical Characteristics (Cont.)

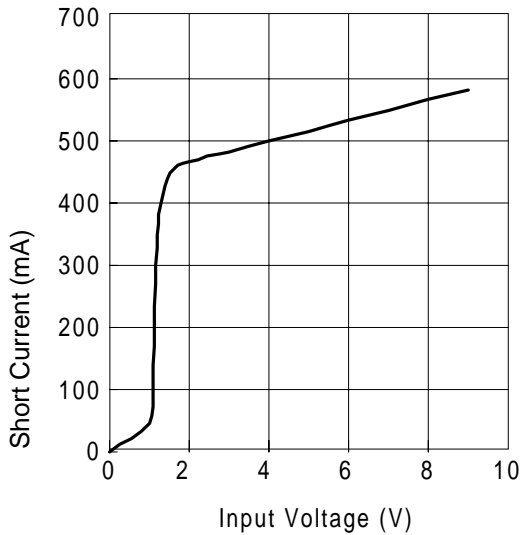
Output Voltage vs. Input Voltage



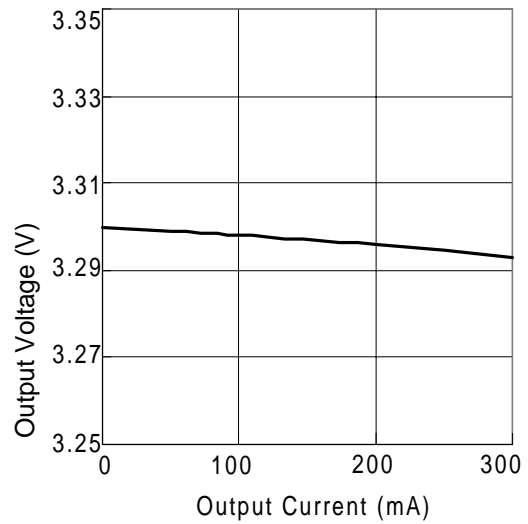
Input Current vs. Input Voltage



Short Current vs. Input Voltage

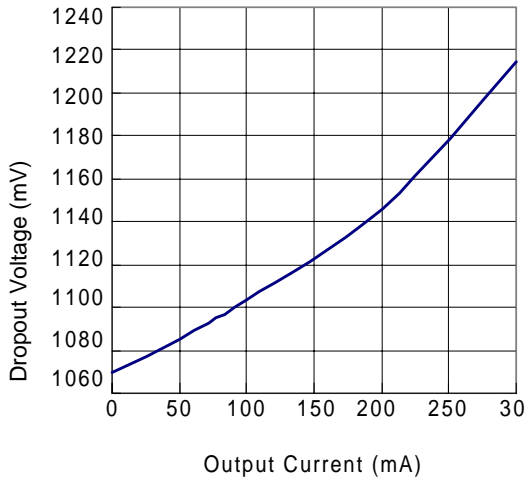


Output Voltage vs. Output Current

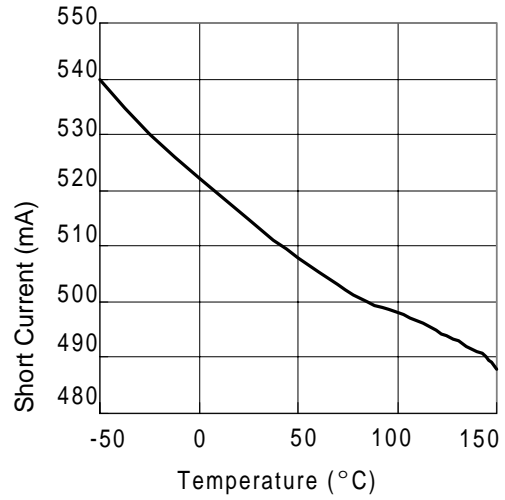


Typical Characteristics (Cont.)

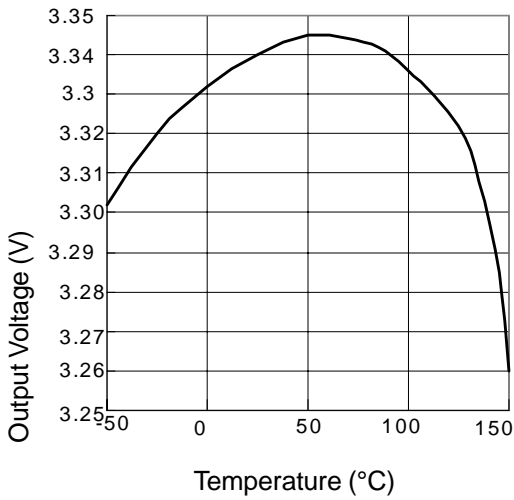
Dropout Voltage vs. Output Current



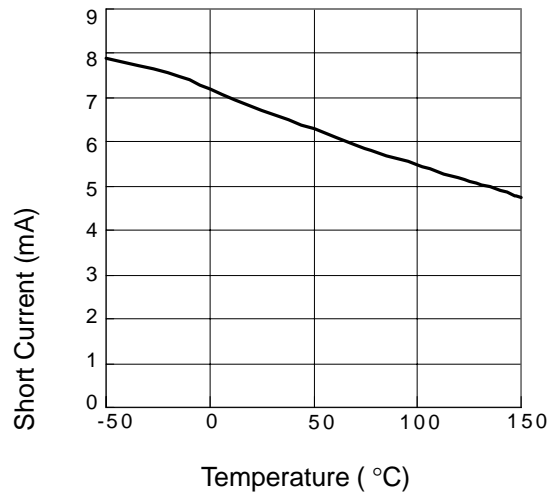
Short Current vs. Temperature



Output Voltage vs. Temperature

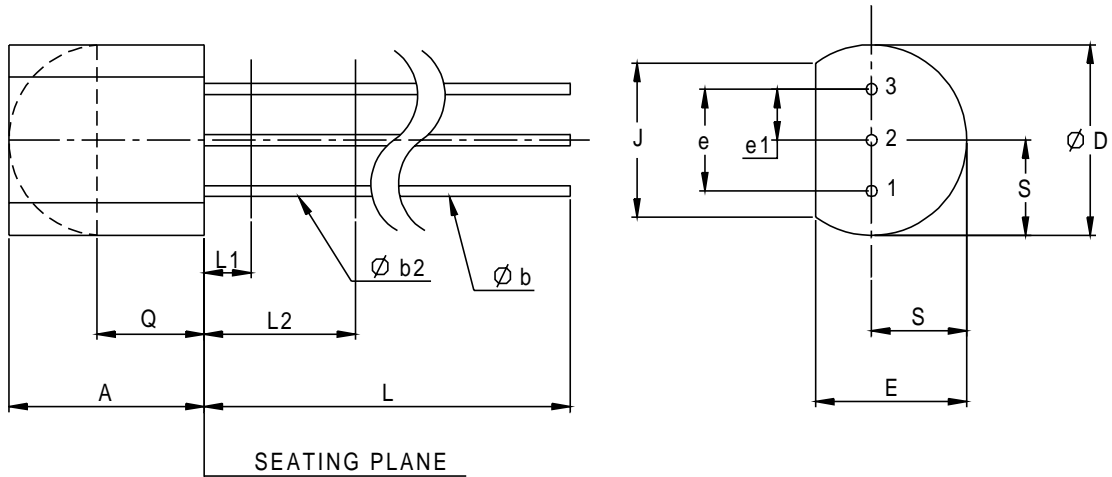


Input Current vs. Temperature



Packaging Information

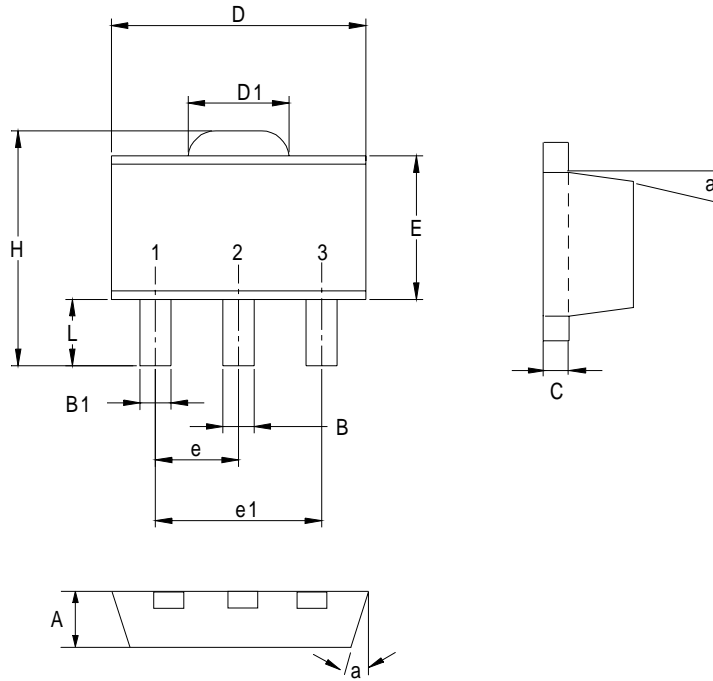
TO-92



Dim	Millimeters		Inches	
	Min.	Max.	Min.	Max.
A	4.58	5.33	0.170	0.210
φ b	0.41	0.53	0.160	0.021
φ b2	0.41	0.48	0.160	0.019
φ D	4.96	5.20	0.175	0.205
E	3.94	4.19	0.125	0.165
e	2.42	2.66	0.095	0.105
e1	1.15	1.39	0.045	0.055
J	3.43		0.135	
L	12.70		0.500	
L1		1.27		0.050
L2	6.35		0.250	
Q	2.93		0.115	
S	2.42	2.66	0.080	0.105

Packaging Information

SOT-89 (Reference EIAJ ED-7500A Registration SC-62)

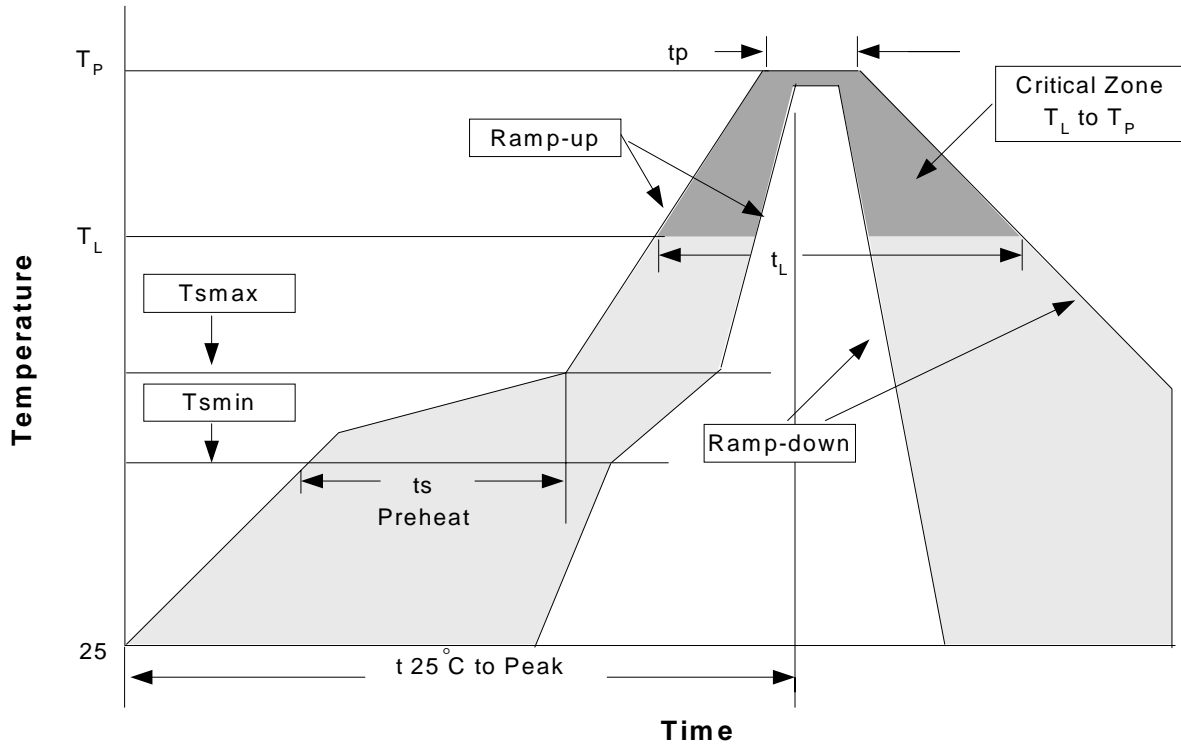


Dim	Millimeters		Inches	
	Min.	Max.	Min.	Max.
A	1.40	1.60	0.055	0.063
B	0.40	0.56	0.016	0.022
B1	0.35	0.48	0.014	0.019
C	0.35	0.44	0.014	0.017
D	4.40	4.60	0.173	0.181
D1	1.35	1.83	0.053	0.072
e	1.50 BSC		0.059 BSC	
e1	3.00 BSC		0.118 BSC	
E	2.29	2.60	0.090	0.102
H	3.75	4.25	0.148	0.167
L	0.80	1.20	0.031	0.047
α		10°		10°

Physical Specifications

Terminal Material	Solder-Plated Copper (Solder Material : 90/10 or 63/37 SnPb), 100%Sn
Lead Solderability	Meets EIA Specification RSI86-91, ANSI/J-STD-002 Category 3.

Reflow Condition (IR/Convection or VPR Reflow)



Classification Reflow Profiles

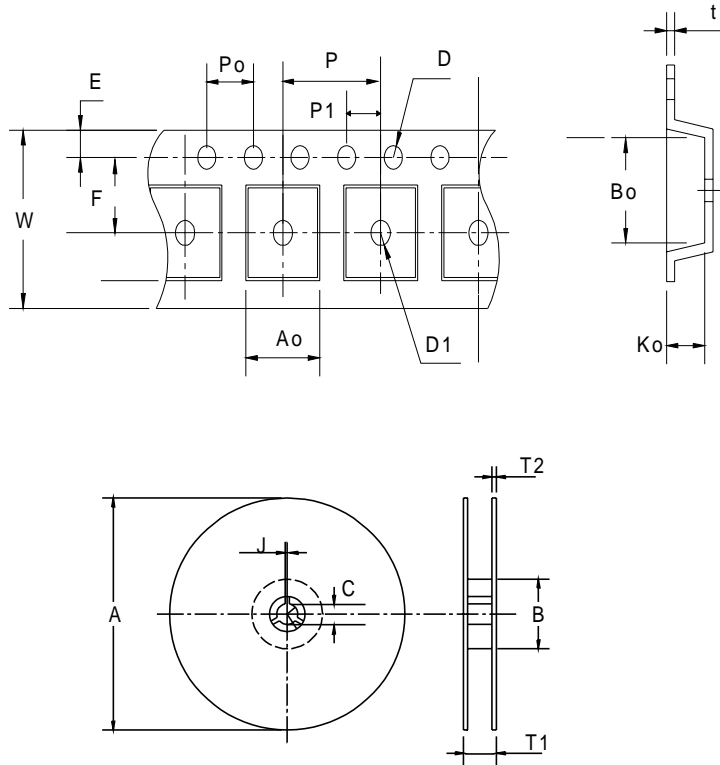
Profile Feature	Sn-Pb Eutectic Assembly		Pb-Free Assembly	
	Large Body	Small Body	Large Body	Small Body
Average ramp-up rate (T_L to T_P)	3°C/second max.		3°C/second max.	
Preheat <ul style="list-style-type: none"> - Temperature Min (T_{smin}) - Temperature Mix (T_{smax}) - Time (min to max)(t_s) 	100°C	150°C	150°C	200°C
T_{smax} to T_L <ul style="list-style-type: none"> - Ramp-up Rate 			3°C/second max	
T_{smax} to T_L <ul style="list-style-type: none"> - Temperature(T_L) - Time (t_L) 	183°C	183°C	217°C	217°C
Peak Temperature(T_p)	225 +0/-5°C	240 +0/-5°C	245 +0/-5°C	250 +0/-5°C
Time within 5°C of actual Peak Temperature(t_p)	10-30 seconds	10-30 seconds	10-30 seconds	20-40 seconds
Ramp-down Rate	6°C/second max.		6°C/second max.	
Time 25°C to Peak Temperature	6 minutes max.		8 minutes max.	

Note: All temperatures refer to topside of the package. Measured on the body surface.

Reliability test Program

Test item	Method	Description
SOLDERABILITY	MIL-STD-883D-2003	245° C , 5 SEC
HOLT	MIL-STD-883D-1005.7	1000 Hrs Bias @ 125 °C
PCT	JESD-22-B, A102	168 Hrs, 100 % RH , 121 °C
TST	MIL-STD-883D-1011.9	-65°C ~ 150°C , 200 Cycles
ESD	MIL-STD-883D-3015.7	VHBM > 2KV, VMM > 200V
Latch-Up	JESD 78	10ms , I _{tr} > 100mA

Carrier Tape & Reel Dimensions



Application	A	B	C	J	T1	T2	W	P	E
SOT-89	178 ± 1	70 ± 2	13.5 ± 0.15	3 ± 0.15	14 ± 2	1.3 ± 0.3	12 + 0.3 12 - 0.1	8 ± 0.1	1.75 ± 0.1
Application	F	D	D1	Po	P1	Ao	Bo	Ko	t
SOT-89	5.5 ± 0.05	1.5 ± 0.1	1.5 ± 0.1	4.0 ± 0.1	2.0 ± 0.1	4.8 ± 0.1	4.5 ± 0.1	1.80 ± 0.1	0.3 ± 0.013

(mm)

Cover Tape Dimensions

Application	Carrier Width	Cover Tape Width	Devices Per Reel
SOT- 89	12	9.3	1000

Customer Service**Anpec Electronics Corp.**

Head Office :

5F, No. 2 Li-Hsin Road, SBIP,
Hsin-Chu, Taiwan, R.O.C.

Tel : 886-3-5642000

Fax : 886-3-5642050

Taipei Branch :

7F, No. 137, Lane 235, Pac Chiao Rd.,
Hsin Tien City, Taipei Hsien, Taiwan, R. O. C.

Tel : 886-2-89191368

Fax : 886-2-89191369