

# AS1907, AS1908, AS1909

## Low-Voltage Microprocessor Reset Circuits

Data Sheet

### 1 General Description

The AS1907/AS1908/AS1909 microprocessor supervisory circuits are ideal for monitoring the supply voltage of digital systems and microprocessors.

The devices are designed to initiate a reset if the supply voltage goes below a predefined threshold. The duration of the reset is either 1.5, 30, or 150ms (typ.) after the supply voltage has risen above the pre-set threshold (see [Ordering Information on page 9](#)).

The devices are available as the standard products listed in [Table 1](#).

Table 1. Standard Products

| Model  | Output Type | Reset Type  |
|--------|-------------|-------------|
| AS1907 | Push/Pull   | Active-Low  |
| AS1908 | Push/Pull   | Active-High |
| AS1909 | Open-Drain  | Active-Low  |

The reset thresholds are factory-set between 1.6 and 2.5V in steps of approximately 100mV (see [Table 5 on page 7](#)).

The devices exhibit excellent reliability, and can reduce system costs by eliminating the need for external components. The extremely low current consumption makes the devices ideal for use in portable applications.

The integrated reset comparator was specifically designed to ignore fast transients on Vcc.

The devices are available in a 3-pin SOT23 package.

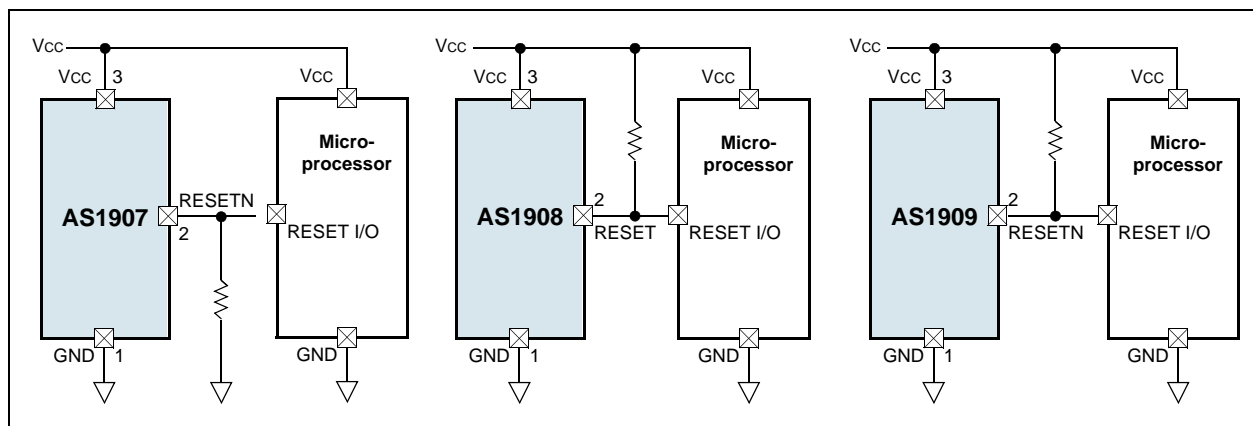
### 2 Key Features

- 3 Output Types: Push/Pull RESET, Push Pull RESETN, and Open Drain RESETN
- Reset Threshold Range: 1.6 to 2.5V (~100mV increments)
- RESET/RESETN:
  - Valid to Vcc = 0.7V (AS1907 and AS1908)
  - Valid to Vcc = 1.0V (AS1909)
- Reset Pulse Widths: 1, 20, and 100ms
- Supply Voltage Range: +0.7 to +3.6V
- Supply Current Range: 2.6 to 7.0µA
- Power Supply Transient Immunity
- Requires No External Components
- Operating Temperature Range: -40 to +125°C
- 3-pin SOT23 Package

### 3 Applications

The devices are ideal for use in cordless and mobile phones, MP3 players, CD and DVD players, PDAs, handheld computers, digital cameras, hard drives, and any other application where power supply supervisory control is required.

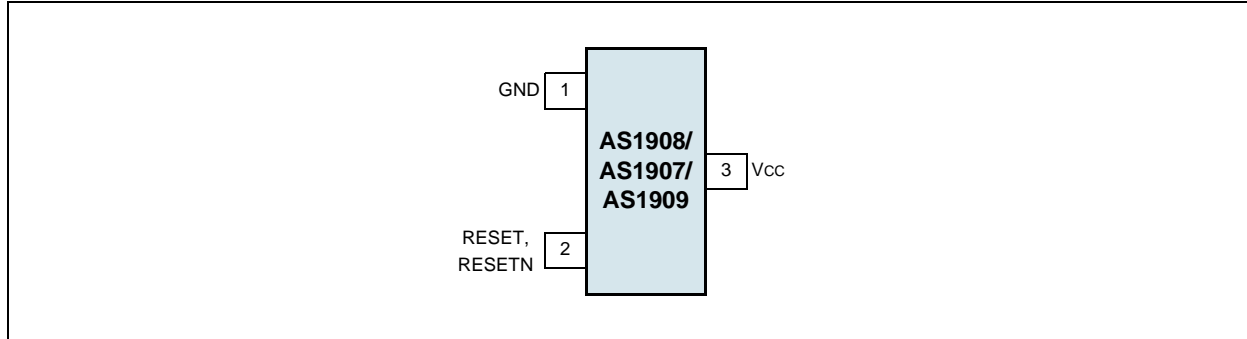
Figure 1. Application Diagrams



## 4 Pinout

### Pin Assignments

Figure 2. Pin Assignments (Top View)



### Pin Descriptions

Table 2. Pin Descriptions

| Pin Number | Pin Name | Description  |
|------------|----------|--|
| 1          | GND      | <b>Ground</b>  |
| 2          | RESET    | <b>Active-High Reset Output</b> (AS1908). This pin stays high whenever Vcc is below the RESET threshold $V_{TH}$ (see page 7), and for $t_{TP}$ (see page 4) after Vcc rises above $V_{TH}$ .  |
|            | RESETN   | <b>Active-Low Reset Output</b> (AS1907, AS1909). This pin remains low while Vcc is below the RESET threshold $V_{TH}$ (see page 7), and for $t_{TP}$ (see page 4) after Vcc rises above $V_{TH}$ .<br><b>Note:</b> This pin is open-drain on the AS1909. |
| 3          | Vcc      | <b>Positive Supply Voltage.</b> Connect to +0.7 to +3.6V supply.   |

## 5 Absolute Maximum Ratings

Stresses beyond those listed in [Table 3](#) may cause permanent damage to the device. These are stress ratings only, and functional operation of the device at these or any other conditions beyond those indicated in [Section 6 Electrical Characteristics on page 4](#) is not implied. Exposure to absolute maximum rating conditions for extended periods may affect device reliability.

Table 3. Absolute Maximum Ratings

| Parameter  | Min  | Max       | Units | Comments   |
|--|------|-----------|-------|--|
| Vcc  | -0.3 | +5        | V     |  |
| RESET, RESETN Push/Pull                                    | -0.3 | Vcc + 0.3 | V     |  |
| RESETN Open Drain  | -0.3 | +6        | V     |  |
| Input Current (Vcc)  |      | 20        | mA    |  |
| Output Current (RESET, RESETN)                             |      | 20        | mA    |  |
| Continuous Power Dissipation<br>(T <sub>AMB</sub> = +70°C) |      | 320       | mW    | 3-pin SOT23 derate 4mW/°C above +70°C  |
| Operating Temperature Range                                | -40  | +125      | °C    |  |
| Storage Temperature Range                                  | -65  | +160      | °C    |  |
| Package Body Temperature                                   |      | +260      | °C    | The reflow peak soldering temperature (body temperature) specified is in accordance with <i>IPC/JEDEC J-STD-020C "Moisture/Reflow Sensitivity Classification for Non-Hermetic Solid State Surface Mount Devices"</i> |

## 6 Electrical Characteristics

$V_{CC}$  = Full Range,  $T_{AMB}$  = -40 to +125°C (unless otherwise specified). Typ values are at  $V_{CC}$  = +3.0V,  $T_{AMB}$  = +25°C.

Table 4. Electrical Characteristics

| Parameter   | Symbol     | Conditions  | Min                 | Typ      | Max              | Unit    |   |
|---|------------|---|---------------------|----------|------------------|---------|---|
| Supply Voltage Range  | $V_{CC}$   | $T_{AMB} = 0$ to +85°C  | AS1907, AS1908      | 0.7      |                  | 3.6     | V |
|   |            |   | AS1909              | 1.0      |                  | 3.6     |   |
|   |            | $T_{AMB} = -40$ to +85°C  | AS1907, AS1908      | 0.78     |                  | 3.6     |   |
|   |            |   | AS1909              | 1.2      |                  | 3.6     |   |
|   |            | $T_{AMB} = -40$ to +125°C   | 1.2                 |          | 3.6              |         |   |
| Supply Current <sup>1</sup>                                     | $I_{CC}$   | $V_{CC} = 1.8V$ , no load   |                     | 2.4      | 6.0              | $\mu A$ |   |
|   |            | $V_{CC} = 2.5V$ , no load   |                     | 2.6      | 7.0              |         |   |
| RESET Threshold Voltage   | $V_{TH}$   | $T_{AMB} = +25^{\circ}C$  | $V_{TH} - 0.9\%$    | $V_{TH}$ | $V_{TH} + 0.9\%$ | V       |   |
|   |            | $T_{AMB} = 0^{\circ}C$ to +50°C;<br>AS1909C17 and AS1909C168 only | $V_{TH} - 1.2\%$    | $V_{TH}$ | $V_{TH} + 1.2\%$ | V       |   |
|   |            | $T_{AMB} = -40$ to +125°C   | $V_{TH} - 3\%$      | $V_{TH}$ | $V_{TH} + 3\%$   | V       |   |
| VCC Falling Reset Delay   | $t_{RD}$   | $V_{CC}$ falling at 10V/ms  |                     | 33       |                  | $\mu s$ |   |
| RESET Active Time-Out Period                                    | $t_{TP}$   | AS190x-Azz-T  | 1                   | 1.5      | 2                | ms      |   |
|   |            | AS190x-Bzz-T  | 20                  | 30       | 40               |         |   |
|   |            | AS190x-Czz-T  | 100                 | 150      | 200              |         |   |
| RESETN Output Low Voltage;<br>RESET asserted<br>(AS1907/AS1909) | $V_{OL}$   | $I_{SINK} = 50\mu A$ , $V_{CC} \geq 1.0V$                         |                     |          | 0.4              | V       |   |
|   |            | $I_{SINK} = 500\mu A$ , $V_{CC} \geq 1.8V$                        |                     |          | 0.3              |         |   |
| RESETN Output High Voltage;<br>RESET Not Asserted (AS1907)      | $V_{OH}$   | $I_{SOURCE} = 200\mu A$ , $V_{CC} \geq 1.8V$                      | $0.8 \times V_{CC}$ |          |                  | V       |   |
|   |            | $I_{SOURCE} = 500\mu A$ , $V_{CC} \geq 2.7V$                      | $0.8 \times V_{CC}$ |          |                  |         |   |
| RESET Output Voltage; RESET<br>Asserted (AS1908)                | $V_{OH}$   | $I_{SOURCE} = 1\mu A$ , $V_{CC} \geq 1.0V$                        | $0.8 \times V_{CC}$ |          |                  | V       |   |
|   |            | $I_{SOURCE} = 200\mu A$ , $V_{CC} \geq 1.8V$                      | $0.8 \times V_{CC}$ |          |                  |         |   |
| RESET Output Voltage; RESET<br>Not Asserted (AS1908)            | $V_{OL}$   | $I_{SINK} = 500\mu A$ , $V_{CC} \geq 1.8V$                        |                     |          | 0.3              | V       |   |
|   |            | $I_{SINK} = 1.2mA$ , $V_{CC} \geq 2.7V$                           |                     |          | 0.3              |         |   |
| RESETN Output Leakage<br>Current; RESETN<br>Deasserted (AS1909) | $I_{LEAK}$ | $V_{CC} > V_{TH}$   |                     |          | 0.5              | $\mu A$ |   |

1. Not valid if  $V_{CC} = V_{TH}$ .

## 7 Typical Operating Characteristics

$T_{AMB} = +25^{\circ}\text{C}$  (unless otherwise specified).

Figure 3. Supply Current vs. Temperature

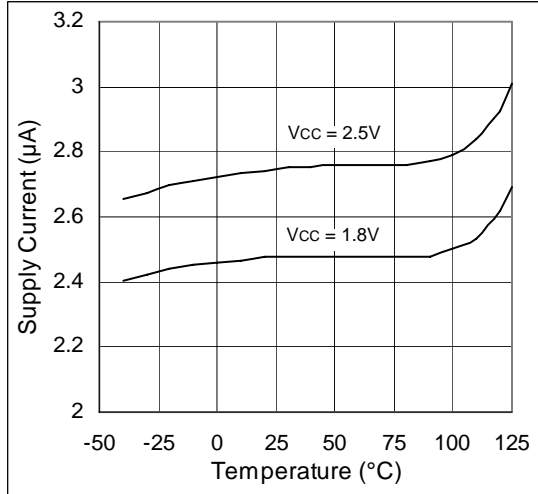


Figure 5. Normalized Reset Timeout Period vs. Temperature,  $V_{TH} = 2.3\text{V}$

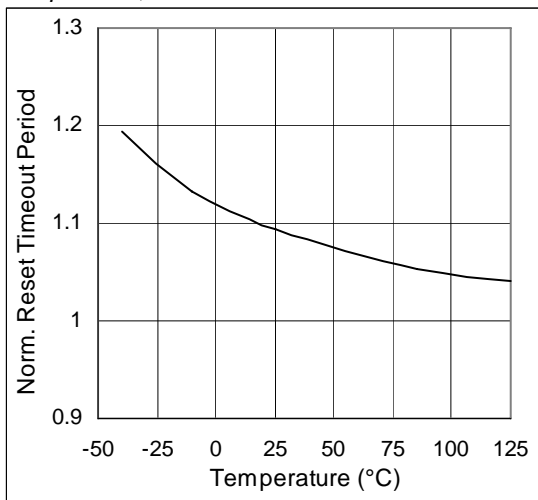


Figure 7. Max. Transient Duration vs. Reset Comparator Overdrive

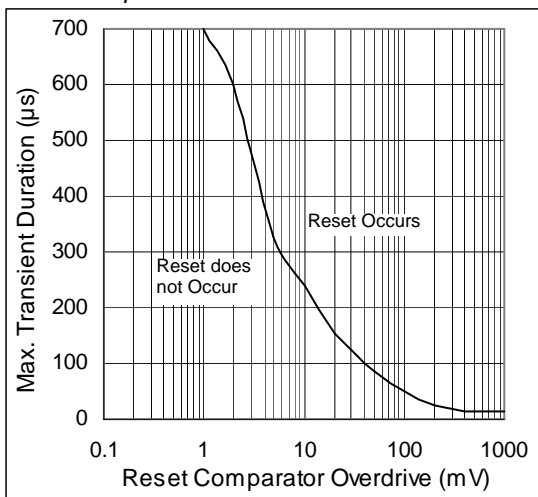


Figure 4. Supply Current vs. Supply Voltage

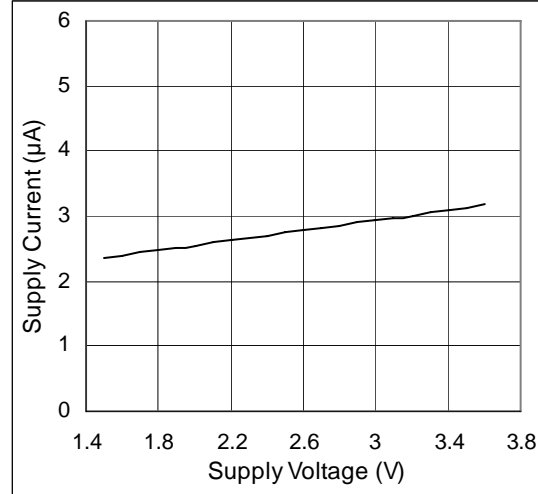


Figure 6. Output Voltage Low vs. Temperature Reset Asserted

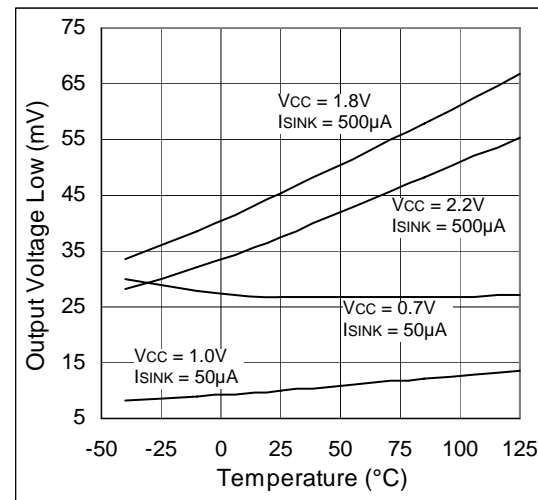


Figure 8.  $V_{CC}$  falling Propagation Delay vs. Temperature

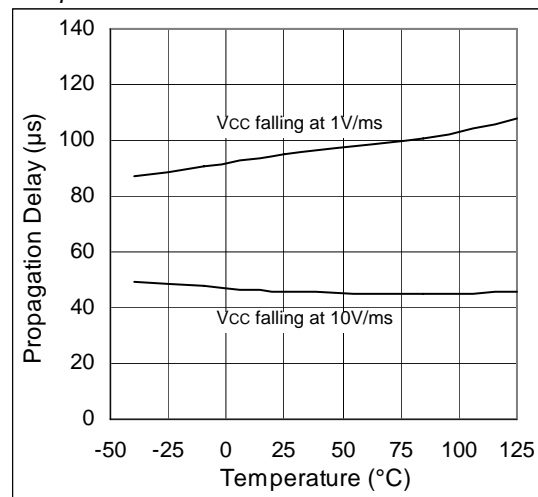


Figure 9. Output Voltage Low vs.  $V_{CC}$ ,  $I_{SINK} = 50\mu A$

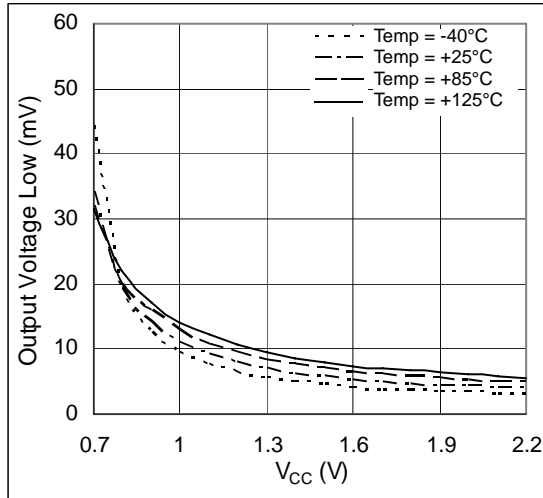


Figure 10. Output Voltage Low vs.  $V_{CC}$ ,  $I_{SINK} = 100\mu A$

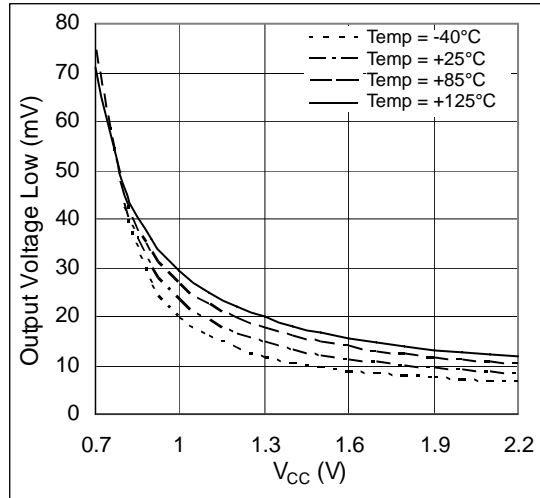
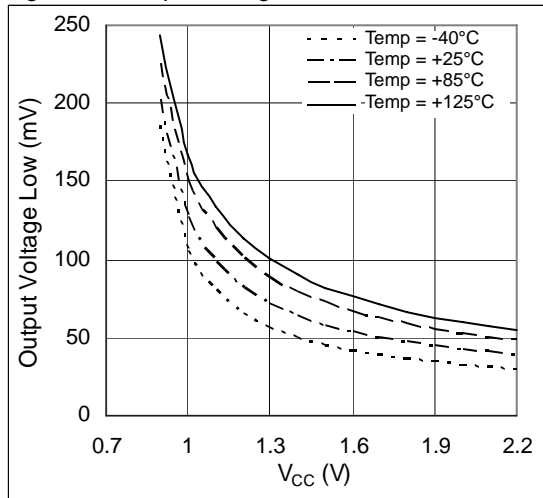


Figure 11. Output Voltage Low vs.  $V_{CC}$ ,  $I_{SINK} = 500\mu A$



## 8 Application Information

### Negative Going $V_{CC}$ Transients

All devices are effectively immune to short-duration, negative-going  $V_{CC}$  transients (glitches). The Maximum Transient Duration vs. Reset Comparator Overdrive graph (see page 5) shows the maximum pulse width that a negative-going  $V_{CC}$  transient may typically have without issuing a reset signal. As the amplitude of the transient increases, the maximum allowable pulse width decreases.

### Valid Reset Output

If  $V_{CC}$  falls below 1V and approaches the minimum operating voltage of 0.7V, push/pull-type reset sinking/sourcing capabilities greatly decrease. High-impedance CMOS-logic inputs connected to RESET can drift to indeterminate voltages, although this is normally not a problem since most microprocessors do not operate at  $V_{CC} < 1V$ .

For the AS1908, where RESET must be valid to  $V_{CC} = 0$ , a 100k $\Omega$  pull-up resistor between RESET and  $V_{CC}$  (see Figure 1 on page 1) will hold RESET high if  $V_{CC}$  falls below 0.7V.

For the AS1907, where RESET must be valid down to 0V, add a pull-down resistor between RESET and GND (see Figure 1 on page 1) to eliminate stray leakage currents and hold RESET low. A pull-down resistor of 100k $\Omega$  is large enough not to load RESET yet small enough to pull it low.

Since the AS1909 has an open-drain, active-low output, it typically uses a pull-up resistor. With this device, RESET will most likely not maintain an active condition, but will drift to a non-active level due to the pull-up resistor and the reduced sinking capability of the open drain device. Therefore, this device is not recommended for applications where the RESET pin is required to be valid down to  $V_{CC} = 0$ .

Table 5. Reset Thresholds

| Reset Thresholds |                          |      |       |   |      |
|------------------|--------------------------|------|-------|---|------|
| Suffix           | $T_{AMB} = +25^{\circ}C$ |      |       | $T_{AMB} = -40 \text{ to } +125^{\circ}C$ |      |
|                  | Min                      | Typ  | Max   | Min                                       | Max  |
| 25               | 2.478                    | 2.50 | 2.523 | 2.43                                      | 2.58 |
| 24               | 2.378                    | 2.40 | 2.422 | 2.33                                      | 2.47 |
| 23               | 2.279                    | 2.30 | 2.321 | 2.23                                      | 2.37 |
| 22               | 2.180                    | 2.20 | 2.220 | 2.13                                      | 2.27 |
| 21               | 2.081                    | 2.10 | 2.119 | 2.04                                      | 2.18 |
| 20               | 1.982                    | 2.00 | 2.018 | 1.94                                      | 2.06 |
| 19               | 1.883                    | 1.90 | 1.917 | 1.84                                      | 1.96 |
| 18               | 1.784                    | 1.80 | 1.816 | 1.75                                      | 1.85 |
| 17               | 1.685                    | 1.70 | 1.715 | 1.65                                      | 1.75 |
| 16               | 1.586                    | 1.60 | 1.614 | 1.55                                      | 1.65 |

### Bi-Directional Microprocessor Interface

The RESET output on the AS1909 is open-drain, thus this device can interface easily with microprocessors that have bi-directional reset pins, such as the Motorola 68HC11.

Connect the RESET output of this device directly to the microprocessor's RESET I/O pin with a single pull-up resistor to allow either device to assert reset (see Figure 1 on page 1).

### Layout Considerations

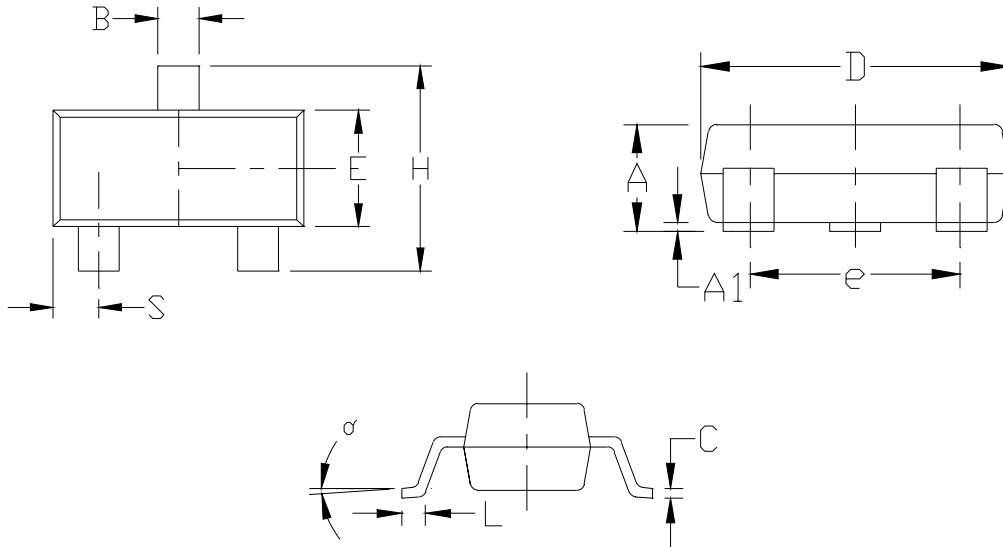
The devices require proper layout and design procedures for optimum performance.

- Short, wide traces should be used to reduce stray inductance and capacitance.
- Bypass capacitors should be as close to the device as possible.
- Large ground planes should be used wherever possible.

## 9 Package Drawings and Markings

The devices are available in an 3-pin SOT23 package.

Figure 12. 3-pin SOT23 Package



| Symbol   | Min   | Max   |
|----------|-------|-------|
| A        | 0.787 | 1.194 |
| A1       | 0.025 | 0.127 |
| B        | 0.356 | 0.559 |
| C        | 0.086 | 0.152 |
| D        | 2.667 | 3.048 |
| E        | 1.194 | 1.397 |
| e        | 1.778 | 2.032 |
| H        | 2.083 | 2.489 |
| L        | 0.102 | 0.305 |
| S        | 0.432 | 0.559 |
| $\alpha$ | 0°    | 8°    |

### Notes:

1. Dimensions D and E do not include mold flash.
2. Mold flash protrusions not to exceed .15mm (.006").
3. Controlling dimension: millimeter.



## 10 Ordering Information

The devices are available as the following standard products.

Table 6. Ordering Information

| Type         | Marking | Reset Type  | Reset Threshold | Minimum Reset Timeout | Delivery Form |
|--------------|---------|-------------|-----------------|-----------------------|---------------|
| AS1908C18-T  | ASHU    | Active High | 1.8V            | 100ms                 | Tape and Reel |
| AS1908C20-T  | ASHV    | Active High | 2.0V            | 100ms                 | Tape and Reel |
| AS1907C16-T  | ASHP    | Active Low  | 1.6V            | 100ms                 | Tape and Reel |
| AS1907C18-T  | ASHQ    | Active Low  | 1.8V            | 100ms                 | Tape and Reel |
| AS1907C20-T  | ASHR    | Active Low  | 2.0V            | 100ms                 | Tape and Reel |
| AS1907C22-T  | ASNB    | Active Low  | 2.2V            | 100ms                 | Tape and Reel |
| AS1907B23-T  | ASHX    | Active Low  | 2.3V            | 20ms                  | Tape and Reel |
| AS1909C16-T  | ASHY    | Open Drain  | 1.6V            | 100ms                 | Tape and Reel |
| AS1909C168-T | ASSB    | Open Drain  | 1.68V           | 100ms                 | Tape and Reel |
| AS1909C17-T  | ASHZ    | Open Drain  | 1.7V            | 100ms                 | Tape and Reel |
| AS1909C18-T  | ASND    | Open Drain  | 1.8V            | 100ms                 | Tape and Reel |
| AS1909C20-T  | ASH1    | Open Drain  | 2.0V            | 100ms                 | Tape and Reel |
| AS1909C22-T  | ASNC    | Open Drain  | 2.2V            | 100ms                 | Tape and Reel |
| AS1909C23-T  | ASH2    | Open Drain  | 2.3V            | 100ms                 | Tape and Reel |

Non-standard versions require a minimum order of 30,000 units. Contact austriamicrosystems, AG for availability of non-standard versions.

Table 7. Coding of Factory-Trimmed Reset Active Time-Out Period

| Device       | Suffix | tTP in Milliseconds |     |     |
|--------------|--------|---------------------|-----|-----|
|              |        | Min                 | Typ | Max |
| AS1907xyy-T* | A      | 1                   | 1.5 | 2   |
| AS1908xyy-T* | B      | 20                  | 30  | 40  |
| AS1909xyy-T* | C      | 100                 | 150 | 200 |

All devices are RoHS compliant and free of halogene substances.

\* These devices are available in factory-set Vcc reset thresholds from 1.6V to 2.5V, in approximately 100mV increments. Choose the desired reset threshold suffix from (see Table 5 on page 7) and insert it instead of "yy" in the part number.

Factory-programmed reset timeout periods are also available. Insert the code corresponding to the desired nominal reset timeout period (see Table 7) instead of "x" in the part number. All devices available in tape-and-reel only.

## Copyrights

Copyright © 1997-2009, austriamicrosystems AG, Schloss Premstaetten, 8141 Unterpremstaetten, Austria-Europe. Trademarks Registered ®. All rights reserved. The material herein may not be reproduced, adapted, merged, translated, stored, or used without the prior written consent of the copyright owner.

All products and companies mentioned are trademarks or registered trademarks of their respective companies.

## Disclaimer

Devices sold by austriamicrosystems AG are covered by the warranty and patent indemnification provisions appearing in its Term of Sale. austriamicrosystems AG makes no warranty, express, statutory, implied, or by description regarding the information set forth herein or regarding the freedom of the described devices from patent infringement. austriamicrosystems AG reserves the right to change specifications and prices at any time and without notice. Therefore, prior to designing this product into a system, it is necessary to check with austriamicrosystems AG for current information. This product is intended for use in normal commercial applications. Applications requiring extended temperature range, unusual environmental requirements, or high reliability applications, such as military, medical life-support or life-sustaining equipment are specifically not recommended without additional processing by austriamicrosystems AG for each application. For shipments of less than 100 parts the manufacturing flow might show deviations from the standard production flow, such as test flow or test location.

The information furnished here by austriamicrosystems AG is believed to be correct and accurate. However, austriamicrosystems AG shall not be liable to recipient or any third party for any damages, including but not limited to personal injury, property damage, loss of profits, loss of use, interruption of business or indirect, special, incidental or consequential damages, of any kind, in connection with or arising out of the furnishing, performance or use of the technical data herein. No obligation or liability to recipient or any third party shall arise or flow out of austriamicrosystems AG rendering of technical or other services.



## Contact Information

### Headquarters

austriamicrosystems AG  
A-8141 Schloss Premstaetten, Austria

Tel: +43 (0) 3136 500 0  
Fax: +43 (0) 3136 525 01

For Sales Offices, Distributors and Representatives, please visit:

<http://www.austriamicrosystems.com/contact-us>