



AS8412

**HIGH PERFORMANCE
AUTOMOTIVE SONAR INTRUSION**

**Data Sheet
March 2001**

Key Features

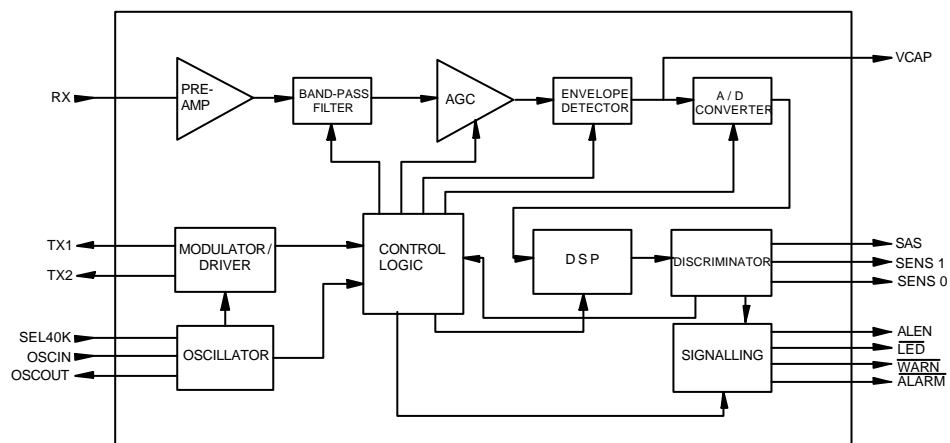
- True sonar/pulse-echo operation
- Wide dynamic range
- Programmable sensitivity levels
- Self-adaptive to vehicle interiors
- Self-adaptive to temperature and environmental changes
- High sensitivity to intrusion
- Immunity to false alarms
- Detection of sabotage attempts
- Compatible with standard 40 kHz ultrasonic transducers
- No adjustments needed at factory or at field
- Few external components
- Time reference: external clock or oscillator based on crystal/ceramic resonator
- Built-in self-test
- Internal power-on-reset
- Advanced CMOS technology
- Low power consumption: 0.65 to 1.0 mA
- Operation between -40°C and +85 °C
- Available in 20-pin DIP and 20-pin SOIC package

General Description

The AS8412 is a signal processing IC designed to implement reliable, high-performance sonar intrusion detectors. It generates short 40 kHz bursts to feed an ultrasonic transducer. The resulting sonar waves are reflected on the vehicle interior and the echoes are received by another transducer. Inside the AS8412, the electrical signal is first submitted to an analog conditioning circuit, then it is digitized and processed by a DSP, whose output is analyzed by a discriminator based on fuzzy-logic techniques. Thus, true intrusion conditions can be discerned from natural phenomena and other allowable disturbances.

No adjustments are necessary at factory or at the field, as the AS8412 is self-adaptive to the physical and environmental conditions. Compact and EMI-resistant intrusion detectors are made possible, due to the small number of components.

Block Diagram



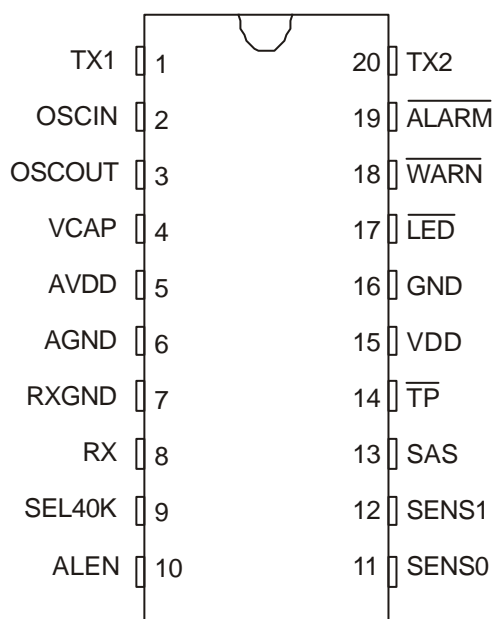
Pin Description

AS8412		
Pin #	Name	Description
1	TX1	40-kHz burst generator - output 1.
2	OSCIN	Clock input or crystal / ceramic resonator connection.
3	OSCOUT	Crystal / ceramic resonator connection. Not connected when external clock is applied.
4	VCAP	Pin for programming capacitor at the envelope detector.
5	AVDD	Analog supply voltage (+5V).
6	AGND	Analog ground.
7	RXGND	Analog ground.
8	RX	Ultrasonic echo input.
9	SEL40K	Time reference select input (SEL40K='1' to select 40 kHz or SEL 40K='0' to select 400 kHz at OSCIN).
10	ALEN	Alarm enable input (when ALEN = '0', the outputs $\overline{\text{ALARM}}$, $\overline{\text{WARN}}$ and $\overline{\text{LED}}$ are disabled).
11	SENS0	Sensitivity selection (least significant bit).
12	SENS1	Sensitivity selection (most significant bit).
13	SAS	SAS enable input (SAS='1' activates Self-Adjusting Sensitivity, SAS='0' keeps sensitivity fixed)
14	$\overline{\text{TP}}$	Test / reset pin. A rising edge resets the IC. This pin should be left unconnected or tied to VDD for normal operation.
15	VDD	Digital supply voltage (+5V).
16	GND	Digital ground
17	$\overline{\text{LED}}$	Active-low signalling LED output (open drain).
18	$\overline{\text{WARN}}$	Active-low auxiliary alarm output (open drain).
19	$\overline{\text{ALARM}}$	Active-low main alarm output (open drain).
20	TX2	40-kHz burst generator - output 2.

Pinout & Packaging

Available Package(s):

- 20 pin DIP
- 20 pin SOIC



Absolute Maximum Ratings

- Conditions:
1. All voltages referenced to GND
 2. AVDD connected to VDD
 3. AGND connected to GND

Supply Voltage	< 7V
Input Pin Voltage	-0,3 V to VDD + 0.3 V
Output Pin Voltage	-0,3 V to VDD + 0.3 V
Power dissipation	500 mW
Operating temperature under bias	-40 °C to +85 °C
Storage Temperature	-65 °C to +150 °C
Latch-up immunity	-10mA ... + 10mA

Note: Stresses above these values may cause permanent damage to the device.
Functional operational at these values is not implied
ESD immunity / HBM: 1500 Ohm; 100 pF

Recommended Operating Conditions

Parameter	Symbol	Min	Typ	Max	Units
Supply Voltage (VDD, AVDD)	V _{DD}	4.5	5.0	5.5	V
Operating Temperature Range	T _O	-40	-	85	°C
Clock Frequency (SEL40K=1)	F _{CK}	39	40	41	kHz
AC Peak Voltage at RX Input	V _{IN}	0.1	-	10	mV

D.C. Electrical Characteristics

(V_{DD} = 5 V, V_{SS} = Ground, T_A = -40 °C to +85 °C)

Parameter	Symbol	Min	Typ	Max	Units	Conditions
Low Level Input Voltage	V _{il}	-	-	1.5	V	Pins 2, 9, 11, 12, 13
High Level Input Voltage	V _{ih}	3.5	-	-	V	Pins 2, 9, 11, 12, 13
Low-to-High Threshold	V _{th}	-	3.0	3.5	V	Pin 10 (Schmitt Trigger Input)
High-to-Low Threshold	V _{tl}	1.4	1.8	-	V	Pin 10 (Schmitt Trigger Input)
Hysteresis	V _h	0.6	-	-	V	Pin 10
Low Level Input Current	I _{il}	-1	-	-	µA	Pins 9, 10, 11, 12, 13, (V _{DD} =5 V)
High Level Input Current	I _{ih}	-	-	1	µA	Pins 9, 10, 11, 12, 13, (V _{DD} =5 V)
Input Resistance	R _{in}	-	200	-	kΩ	Pin 8

Low Level Output Voltage	Vol	-		0.5	V	Pins 1, 20	Iol=3 mA
		-		0.5	V	Pins 18, 19	Iol=4 mA
		-		0.5	V	Pins 17	Iol=12mA
High Level Output Voltage	Voh	4.0	-	-	V	Pins 1, 20	Ioh=-3 mA
High-Z Output Current	Ioz	-	-	10	µA	Pins 17, 18, 19	Vo=5V
Total Supply Current	Idd	-	0.65	1.0	mA	SEL40K= 1	crystal or clock
		-	1.0	1.6	mA	SEL40K= 0	ceramic resonator C1=C2=100pF

A.C. Electrical Characteristics

(V_{DD} = 5 V, V_{SS} = Ground, T_A = 25°C)

Parameter	Symbol	Min	Typ	Max	Units	Conditions
Power-on-reset width	t _{por}	50	-	70	ms	SEL40K= 0, resonator / clock
		500	-	530		SEL40K= 1, clock
		500	-	800		SEL40K= 1, crystal
Self-test delay (incl. t _{por})	t _{std}	1.3	-	1.4	s	SEL40K= 0, resonator / clock
		1.7	-	1.9		SEL40K= 1, clock
		1.7	-	2.1		SEL40K= 1, crystal
Fault indication pulse width	t _{stw}	4.3	-	4.6	s	
ALARM low pulse width	t _{al}	200	-	-	ms	Pins 18, 19
LED low pulse width	t _{onn}	-	89	-	ms	narrow = no detection
		-	977	-	ms	wide = detection
LED high pulse width	t _{off}	-	888	-	ms	

System Description

Ultrasonic intrusion detectors are very popular in vehicle security systems, due to their low cost, good area coverage and easiness of installation. The AS8412 uses the sonar principle to build a high-performance intrusion detector that follows the requirements of the OEM automotive industry. As very short ultrasonic bursts are sent, the power needed to drive the transmitter is reduced. Interference and signal cancellation effects, present in systems with continuous transmission, are virtually eliminated.

Fig. 1 shows the pulse/echo timing generated by the AS8412.

The basic concept behind the AS8412 is the detection of changes in the relative position of objects inside the vehicle, by monitoring successive echo patterns with a discriminator based on fuzzy-logic.

Despite the higher complexity of this approach, that demands both analog and digital signal processing, the solution is made cost-effective with the use of a single IC and a small number of external components.

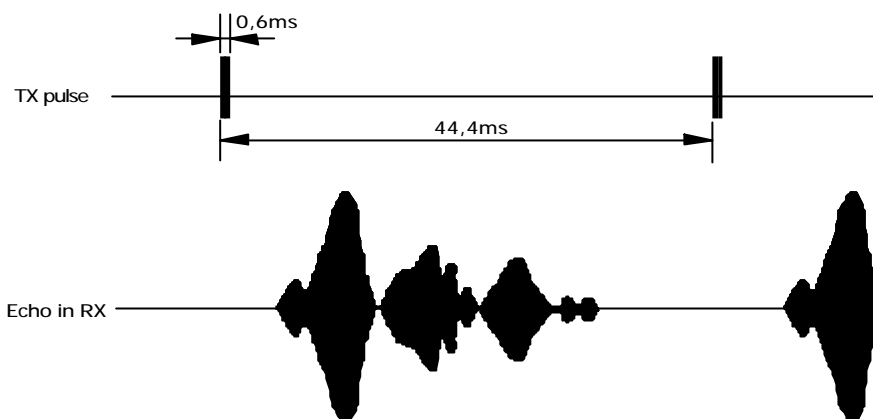


Fig. 1 - Pulse/Echo Timing

Supply / Power-On Reset

The AS8412 requires a single 5-volt power supply. Pins for VDD and GND are separated for the analog and digital circuits, and a 100 nF ceramic decoupling capacitor is recommended for each pair.

There is an internal power-on-reset circuit that initializes the IC after each power-up. The VDD rise time must be less than 20 ms, to guarantee proper initialization. Optionally, the IC can also be reinitialized with a rising-edge at the pin 14, if requested by the application.

Time Reference

A clock must be present at the OSCIN input. The frequency may be selected to be either 40 kHz or 400 kHz, by setting the SEL40K input to '1' or '0' respectively. For the 40 kHz clock a duty-cycle of approximately 50% is necessary.

The clock signal can be created in several possible ways:

- Generation by a microprocessor or other external circuit
- Built-in oscillator with an external 40-kHz crystal between OSCIN and OSCOUT. Depending on the crystal, a load capacitor (about 22 pF) may be needed at OSCOUT.
- Built-in oscillator with an external 400-kHz ceramic resonator between OSCIN and OSCOUT.

Load capacitors of at least 100 pF are necessary at the pins, according to the resonator specifications. The IC power consumption increases with higher capacitor values ($I_{dd} = 1.0$ mA with 100 pF capacitors).

Ultrasonic Transducers

The AS8412 is compatible with standard 40 kHz ultrasonic transducers, available from several manufacturers. For each IC, one transducer is used to transmit the sonar pulses and one other to receive the echoes reflected inside the vehicle. Internal lengths up to 3.5 meters can be covered.

In most applications, just two pairs of sensors will be used. The sensors will typically be positioned at the B-pillars (central pillars), close to the roof, to provide the best possible coverage of

all the vehicle interior. Each pillar may have either a transmitter/receiver pair or two sensors of the same kind. The first arrangement is recommended, as it allows a single box at each pillar containing the AS8412 and the transducer pair controlled by it, thus decreasing cabling.

The outputs TX1 and TX2 drive the transmitter in a push-pull configuration with 10 V peak-to-peak. As shown in Fig. 1, the transmission duty-cycle is very short (around 1/75), reducing the average current needed to generate the ultrasonic bursts to about 0.05 mA per IC.

Shielded cable is mandatory for the receiver and recommended for the transmitter, unless they are adjacent to the IC. The shield at the receiver cable must be grounded and connected to the RXGND pin.

Analog Conditioning

The analog front-end, composed of a preamplifier and a filter centered at 40 kHz, increases the signal level and removes noise outside the bandpass. It is followed by a digitally controlled AGC amplifier, which keeps signal level at the VCAP output within prescribed levels. Finally, an envelope detector extracts the information embedded in the amplified echo signal.

The front-end needs proper bias during power-up. That can be provided by an RC series circuit to VDD, as shown at Fig. 2, or alternatively, by the pre-amplifier of Fig. 4.

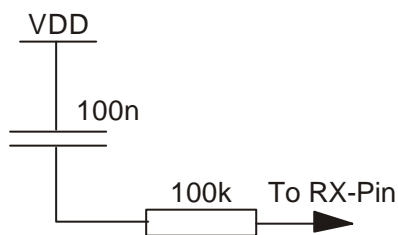


Fig. 2 - Series-RC circuit at RX

The AS8412 has a wide dynamic range, to follow the signal fluctuations that occur in a large variety of vehicles, sensors and environmental conditions. Only under extreme conditions, like in a larger vehicle, an external pre-amplifier at RX may help to improve performance.

A practical way to verify if a pre-amplifier might be useful, is by monitoring the echo waveform at VCAP. A FET-input buffer (input impedance at least 10^9 ohm) should be used, as the output impedance at VCAP is very high.

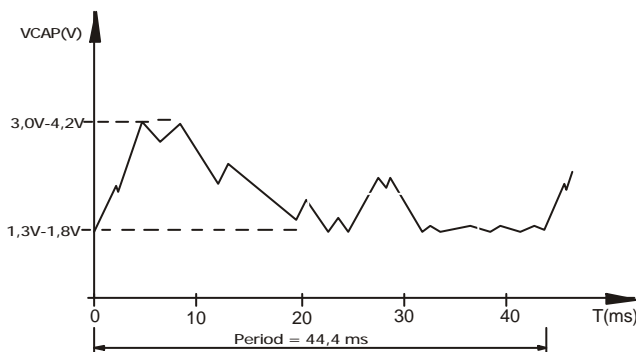


Fig. 3 - Waveform at VCAP

As a general rule, the best approach is to measure the voltage at the “valley”, that normally occurs at the end of the echo waveform. If it is above 1.8 V, then the system could benefit from some extra gain.

A pre-amplifier that satisfies the bias requirements is shown at the Fig. 4. Its gain is around 8 dB.

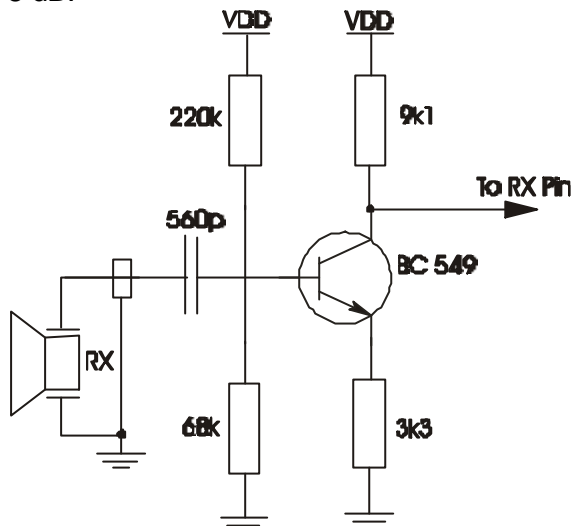


Fig. 4 - Recommended pre-amplifier

Sensitivity Programming

The AS8412 allows the sensitivity to intrusions and movements to be programmed at production, so the manufacturer can adapt the detector to different requirements.

There are two possible ways of programming the sensitivity:

- Digital programming by the pins SENS1 and SENS0: controls the criteria used by the discriminator to validate intrusions or movements. Four sensitivities are available, as shown at Table 1.

Table 1. Digital programmable sensitivities

SENS1	SENS0	Sensitivity
1	1	High
1	0	Mid-high
0	1	Mid-low
0	0	Low

- Capacitor at the pin VCAP: controls the analog processing of the echo signal at the envelope detector. With smaller capacitors, the digitized echo signal will have a higher resolution and, as a result, a higher sensitivity will be obtained.

The best combination of digital programming and VCAP capacitor is usually determined by experiment. A generally good choice is to use sensitivity mid-high and 270-pF capacitor at VCAP.

Table 2 shows some possible sensitivity combinations, marked according to the expected behavior at the field. It should be used as a guide to determine the best combination for each application.

Table 2. Sensitivity as Function of Digital and VCAP Programming

PROGRAM	390 pF	330 pF	270 pF	220 pF
High	OK	OK	+	+
Mid-high	-	OK	OK	+
Mid-low	-	-	OK	OK
Low	-	-	-	OK

(+) positions with higher sensitivities; may present false alarms under extreme conditions

(OK) most usual sensitivity combinations

(-) positions with lower sensitivities; may be useful for specific applications

The Self-Adjusting Sensitivity (SAS)

The SAS (Self-Adjusting Sensitivity) control loop is a powerful feature that optimizes the sensitivity to intrusion and motion, based on the present environmental conditions. Under quiet situations the detector has a very high sensitivity. On the other hand, when certain disturbances such as thermal gradients appear inside the vehicle, the sensitivity is decreased to avoid possible false alarms.

The sensitivity range programmed by the manufacturer is not changed by the SAS, that simply selects the most adequate sensitivity for each situation within the allowed range. Fig. 5 gives a rough idea of how the SAS can affect the detector sensitivity, for a given capacitor at VCAP.

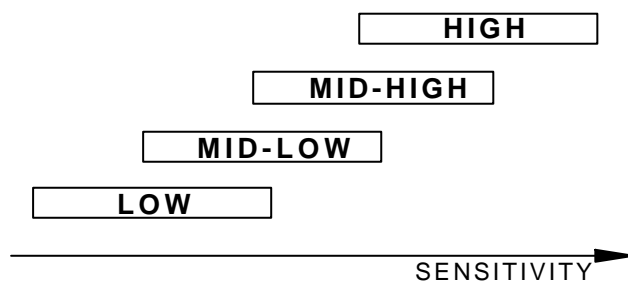


Fig. 5 - Sensitivity Ranges with SAS

The SAS actuation is controlled by the SAS input.

- SAS enabled (pin SAS = "1"):
After power-on, the IC starts with the lowest sensitivity within the programmed range. The sensitivity will be constantly adjusted, according to the external conditions. Even under quiet conditions, the IC may take at least 2 minutes to reach the maximum allowed sensitivity. That should be considered during system evaluation.

- SAS disabled (pin SAS = "0")
The IC will keep the sensitivity fixed at the upper limit of the programmed range, regardless of the environmental conditions. This mode can be useful in special applications that demand a fixed or externally controlled sensitivity. The VCAP capacitor may have to be up to 4 times bigger than it would be with the SAS enabled, to compensate the fixed high sensitivity and avoid false alarms. Another use of this mode is to allow an easier characterization of the upper sensitivity limit during the system development.

The self-test indicates an error with SAS="0". To generate a valid self-test, SAS must be '1' during power-up. It may be switched afterwards.

Together with the AGC, the SAS loop provides improved controllability over the intrusion detection process, allowing the system to be little affected by changes in the external conditions, such as temperature, supply voltage and sensitivity of the ultrasonic sensors.

In any case, the sensitivity can be very significant, so the AS8412 is not adequate to be used in convertibles or with open windows.

DSP and Fuzzy-Logic Discriminator

Many external phenomena may affect the ultrasonic waves inside the vehicle. Sunlight, blows at the glasses or roof, wind through the ventilation flaps are some examples.

Experiments have shown that a real intrusion can not be validated by a single specific characteristic of the echo waveform. Several parameters must be observed at the same time and also how they correlate with each other. Experimental data gathered from extensive field testing were used to support the detection criteria embedded in the AS8412.

To implement those criteria, first the digitized echoes are processed by a DSP circuit to enhance the parameters to be monitored. Then, a fuzzy-logic discriminator continuously examines how those parameters change and correlate, to verify any possible intrusion.

Built-In-Self-Test

When power is applied and SAS = "1", the AS8412 goes automatically into a self-test routine that checks the IC operation. It can also detect initialization errors due to a slow supply rise time or a clock problem at OSCIN.

During the self-test period, the IC outputs are exercised and should be ignored. If the test is successful, normal operation starts, indicated by the output LED pulsing periodically.

In the case of an IC malfunction, immediately after the self-test the $\overline{\text{LED}}$ and $\overline{\text{WARN}}$ outputs are turned on (low) for about 4.4 seconds. If a light-emitting diode is connected to the LED output, the self-test message may be seen directly by the user.

After an error message, the LED starts to blink again, as in a normal operation. Fig. 6 shows the possible self-test waveforms after power-on.

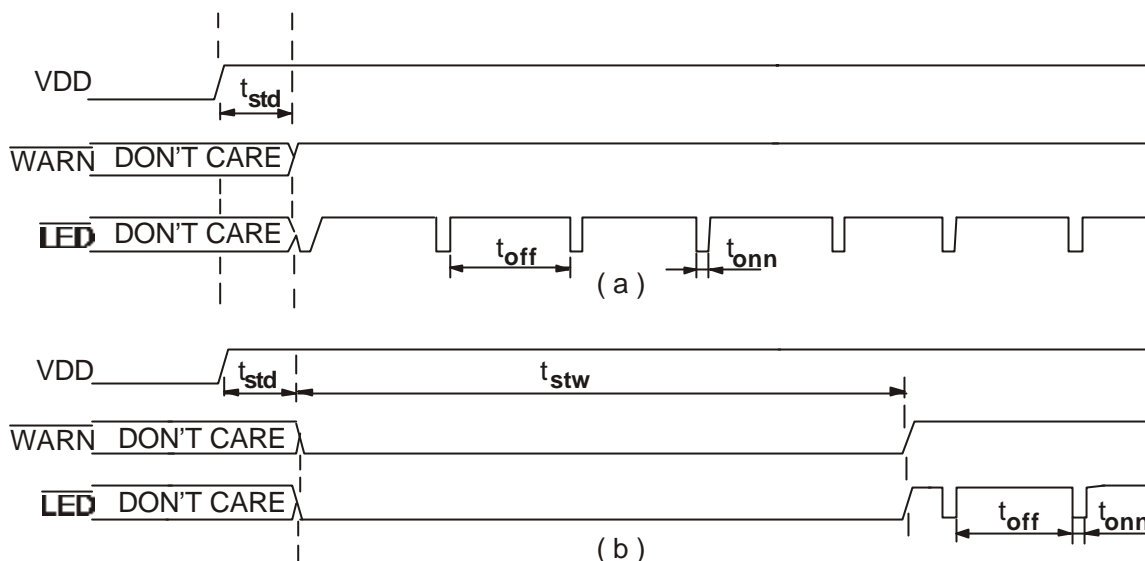


Fig. 6
(a) Self-Test OK
(b) Error at Self-Test

Alarm Signalling

The AS8412 can indicate not only intrusion or motion, but also other kinds of disturbance, and send a particular message for each situation. Those disturbances are defined as follows and the messages are identified at Table 3.

- Weak intrusion: early stages of an intrusion, or a weaker intrusion or movement. Detection criteria are similar to those for intrusion, but with higher sensitivity.
- Blockage: elimination of the coupling between the transducers, either by blocking one of them, or by cutting a wire.
- Saturation: very strong 40-kHz signal at RX, possibly an attempt to sabotage the alarm system by saturating the receiver. May also be caused by a glass breakage or by strong hits with hard objects at the glass.

With this signalling scheme, the IC has flexibility to be used either in simpler applications or in sophisticated microprocessor based systems. In addition, the manufacturer has the option to choose which kind of disturbance should be an alarm condition.

The pulse widths are those specified in the AC electrical Characteristics and shown in Fig. 7. At ALARM and WARN they are at least 200ms; the outputs remain active if intrusion or motion persists.

The $\overline{\text{WARN}}$ output could be used instead of the $\overline{\text{ALARM}}$, if only intrusion detections should be flagged. In this case, the digital sensitivity should be scaled one step over (for instance from mid-high to mid-low), or the capacitor at VCAP increased, to keep approximately the same sensitivity.

The blockage and saturation are signaled just one time at each occurrence, to avoid continuous alarm triggering. Detection of glass breakage by saturation is not guaranteed.

Table 3. Disturbances detected by the AS8412

LED	ALARM	WARN	Conditions
pulsing	1	1	no disturbance
pulsing	1	0	weak intrusion
0	0	0	intrusion
pulsing	0	1	blockage
0	0	1	saturation

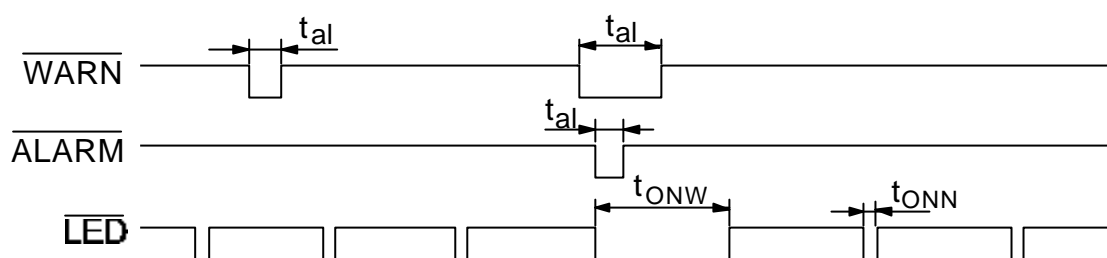


Fig. 7 - Weak Intrusion followed by an Intrusion

Courtesy Entry/Exit Time

The pin ALEN is an optional alarm enable input that can be used to provide a courtesy entry and/or exit time. When tied to VDD, normal alarm operation is enabled. If ALEN is grounded, the outputs ALARM, WARN and LED are disabled, except during the self-test, when LED indicates the test result.

By grounding ALEN, the IC can be made inoperative as seen by the control unit and still keeps its internal processing. This is useful when intrusion detections must be temporarily inhibited, or to block self-test pulses at ALARM and WARN.

During the first 10 or 20 seconds after shutting a door in a hot and sunny day, an alarm indication may occur, due to thermal gradients inside the vehicle. That should be considered when choosing a courtesy time for an AS8412-based system. When an RC circuit connected to the supply voltage is applied to ALEN, the courtesy time after power-up is given by:

$$T \approx 0.92 \times R \times C$$

Application Circuits

The AS8412 is designed to provide a flexible utilization, so many application circuits are possible. Only two of them are presented.

The Application Circuit I of Fig. 8a is suitable to be used in a microcontroller-based alarm system. The 40-kHz clock is synthesized by the microcontroller, that also controls the digital sensitivity. By having access to all the signalling outputs, the alarm system can be programmed to signalize any combination of the disturbances detectable by the AS8412.

This arrangement uses a minimum number of components to implement an intrusion detector.

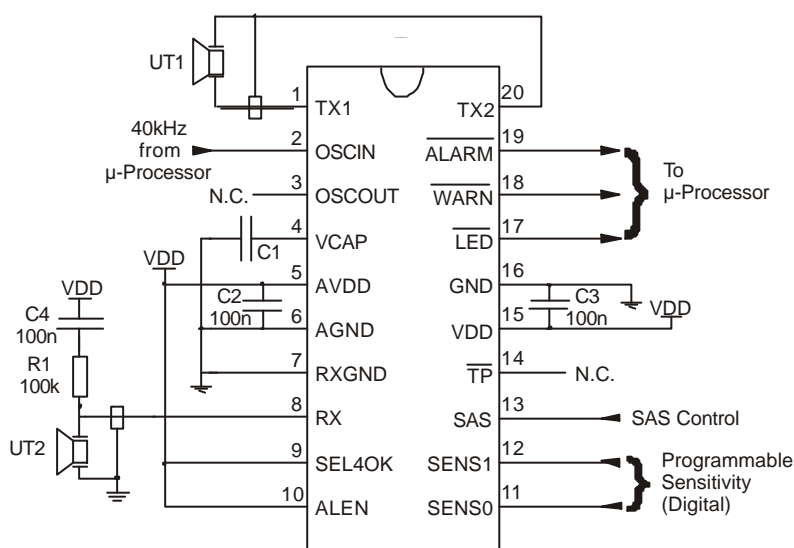


Fig. 8a - Application Circuit I

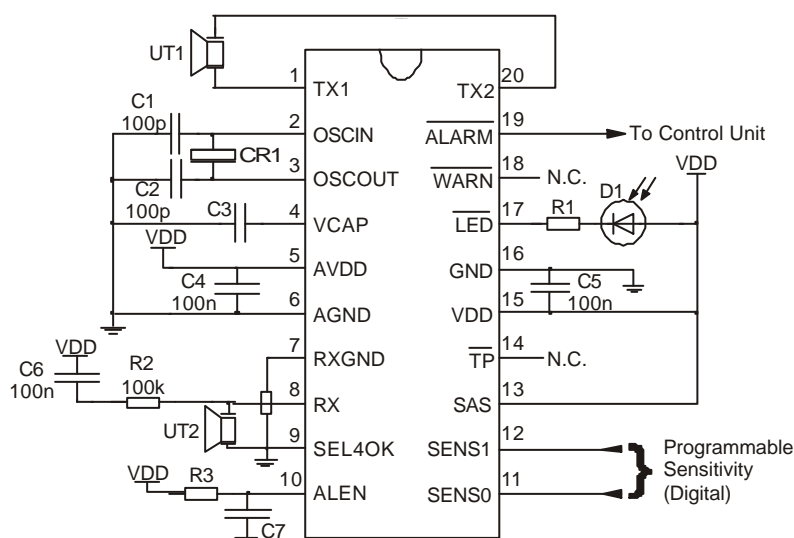


Fig. 8b - Application Circuit II

The Application Circuit II of Fig. 8b can be used in a simpler system, that does not need micro-controller. A 400-kHz oscillator is built with a ceramic resonator. By using just the ALARM output, the system is able to detect intrusion, blockage and saturation as alarm of the operation and of the IC self-test diagnostic. A courtesy time is provided by R3 and C7.

EMI Protection

The usual precautions against EMI, such as PCB with ground plane, short tracks and shielded cables, are recommended for AS8412 applications, to avoid possible effects from noise induced by external sources.

The RX cable must be shielded, because of the low-voltage signal. An alternative to protect other pins directly connected to unshielded cables, is to clamp induced voltages with signal diodes close to the pins (Fig.9)

If a single shielded cable is used for the transmitting sensor, the internal wire may be connected to TX1 and the shield connected to TX2. In this case, only the TX2 output will need protection diodes

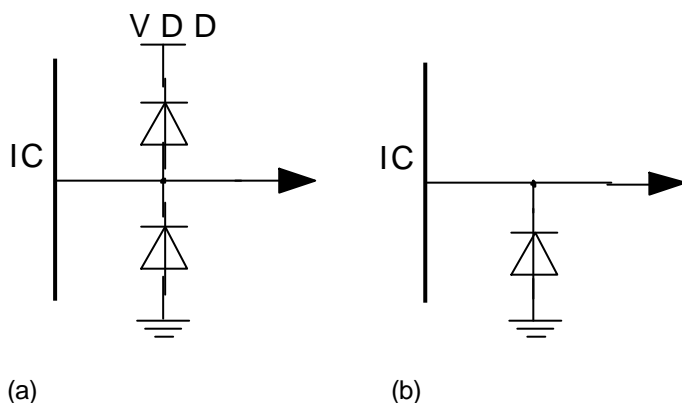


Fig. 9 - Diode Clamp Protection for Unshielded Cables
(a) pins 1, 20
(b) pins 17, 18, 19