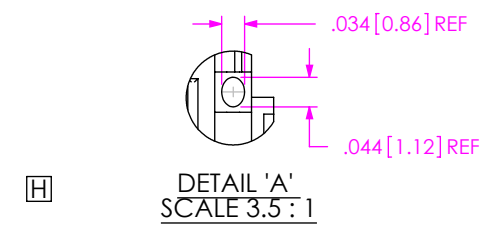
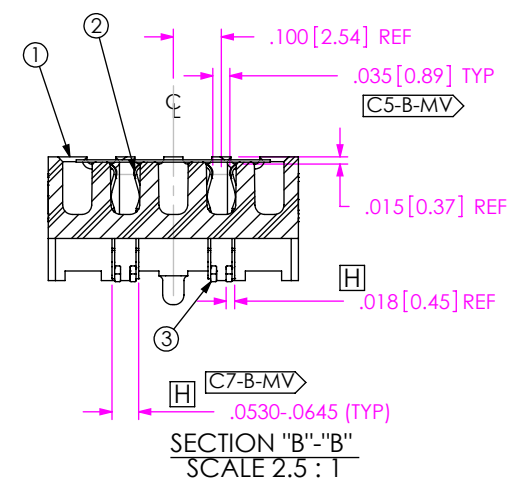
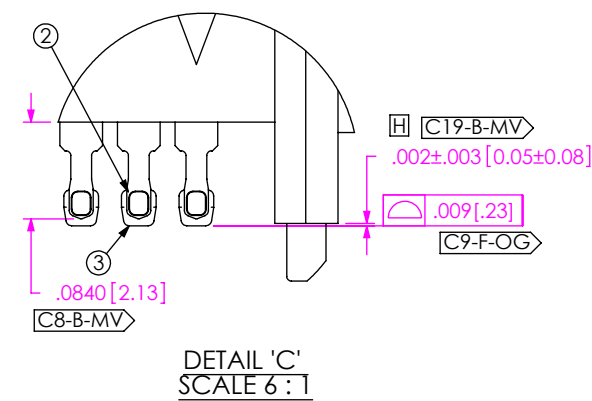
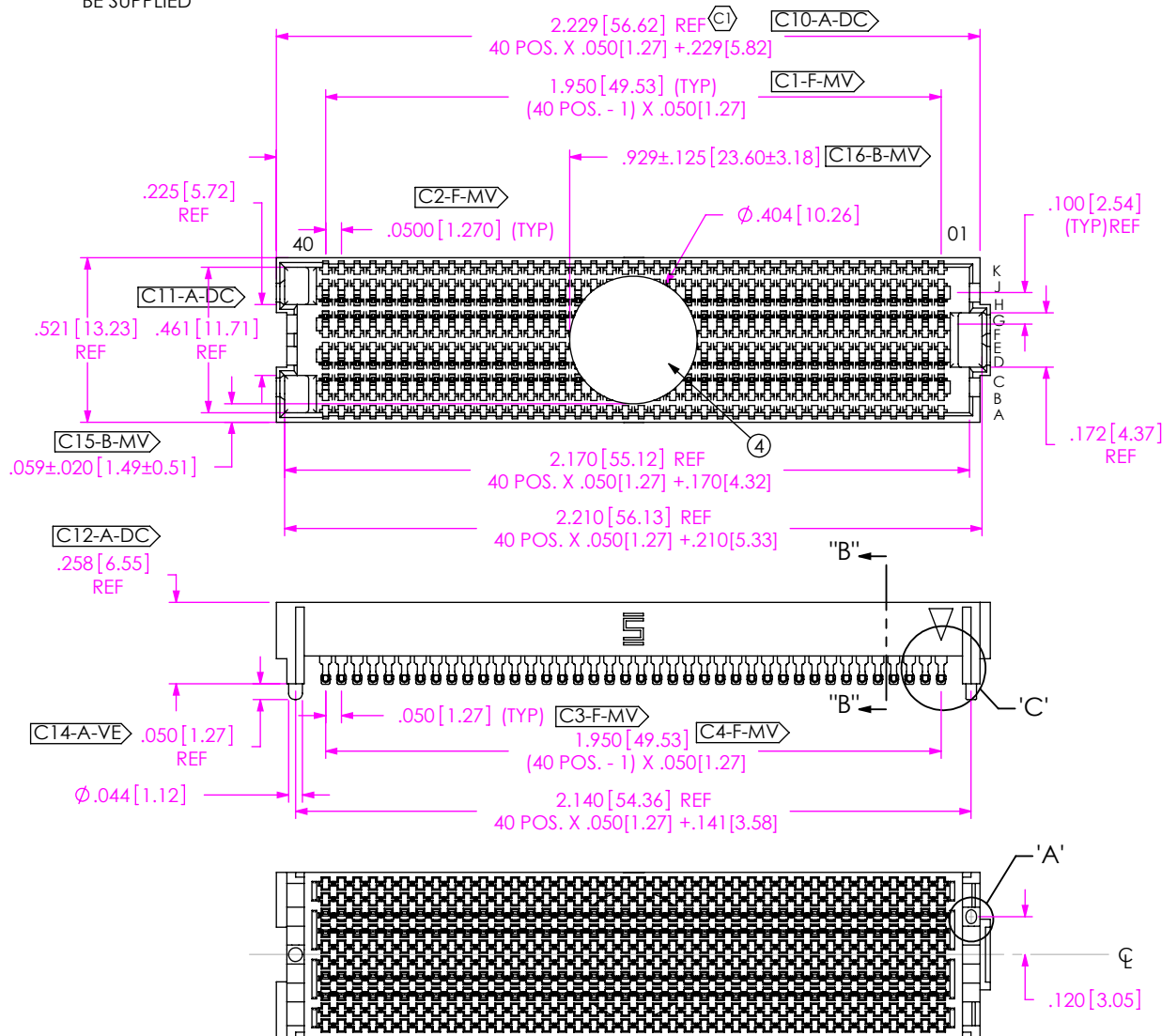


NOTES:

1. FILL ROWS 3, 4, 7, 8 ONLY, NOT AVAILABLE AS STANDARD.
2. Ⓢ REPRESENTS A CRITICAL DIMENSION.
3. MINIMUM PUSHOUT FORCE: .75 LB.
4. PARTS TO BE PACKAGED IN TAPE & REEL.
5. TAPE AND REEL WILL BE SUPPLIED WHETHER OR NOT -TR IS SPECIFIED
6. FOR QUANTITIES UP TO 49 PIECES, NO LEADER, TRAILER OR REEL WILL BE SUPPLIED. FOR QUANTITIES OF 50-124 NO LEADER OR TRAILER WILL BE SUPPLIED

DO NOT SCALE FROM THIS PRINT



ACCEPTANCE OF DRAWING  
ACCEPTED WITH DEVIATIONS LISTED

DATE: \_\_\_\_\_  
 COMPANY: \_\_\_\_\_  
 CUSTOMER SIGNATURE: \_\_\_\_\_  
 PRINTED NAME: \_\_\_\_\_  
 PHONE No.: \_\_\_\_\_  
 FAX No.: \_\_\_\_\_

ITEM NO.	PART NUMBER	QUANTITY	MATERIAL
1	SEAF-40-06.5-10-A	1.0000	LCP UL 94 VO, COLOR: BLACK
2	C-209-06.5-S	160.00	BRUSH ALLOY 390 HT
3	SDT-645-012-02	160.00	SOLDER (95.5% TIN/3.8% /0.7% COPPER)
4	K-DOT-.404-.500-.005	1.0000	POLYIMIDE FILM
5	CT-SEAF028MS	1.0000	CONDUCTIVE POLYMER

UNLESS OTHERWISE SPECIFIED, DIMENSIONS ARE IN INCHES. TOLERANCES ARE:  
 DECIMALS ANGLES  
 .XX: ±.01 [.3] 2°  
 .XXX: ±.005 [.13]  
 .XXXX: ±.0020 [.051]

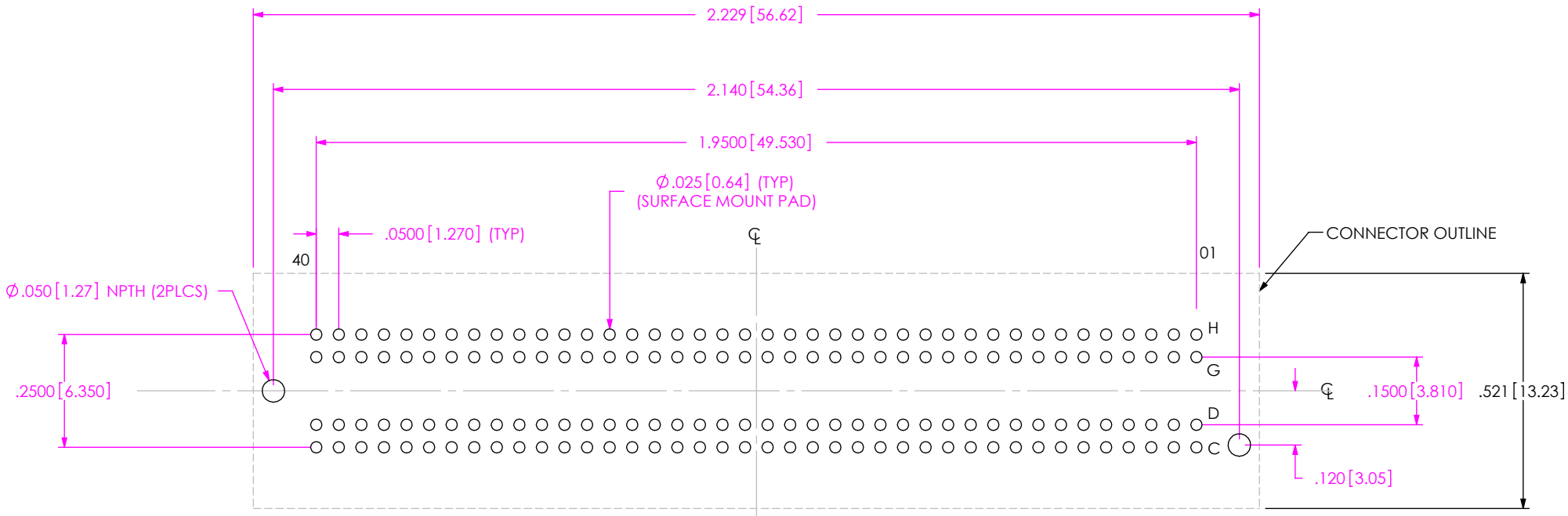
PROPRIETARY NOTE  
 THIS DOCUMENT CONTAINS INFORMATION CONFIDENTIAL AND PROPRIETARY TO SAMTEC, INC. AND SHALL NOT BE REPRODUCED OR TRANSFERRED TO OTHER DOCUMENTS OR DISCLOSED TO OTHERS OR USED FOR ANY PURPOSE OTHER THAN THAT WHICH IT WAS OBTAINED WITHOUT THE EXPRESSED WRITTEN CONSENT OF SAMTEC, INC.



520 PARK EAST BLVD, NEW ALBANY, IN 47150  
 PHONE: 812-944-6733 FAX: 812-948-5047  
 e-Mail: info@SAMTEC.com code: 55322

DO NOT SCALE DRAWING SHEET SCALE: 1:0.333333  
 PLATING:  
 CONTACT AREA: .000030 GOLD OVER .000050 NICKEL  
 REMAINDER: .000200 REF TIN OVER .000050 NICKEL  
 F:\DWG\MISC\MKTG\ASP-134603-01-MKT.SLDDRW

DESCRIPTION:  
 .050 PITCH SOCKET ARRAY ASSEMBLY  
 DWG. NO. ASP-134603-01  
 BY: S. SELLE 10/31/2007 SHEET 1 OF 4



(ALL DIMENSIONS SYMMETRIC ABOUT THE CENTERLINE)

**PROPRIETARY NOTE**

THIS DOCUMENT CONTAINS INFORMATION CONFIDENTIAL AND PROPRIETARY TO SAMTEC, INC. AND SHALL NOT BE REPRODUCED OR TRANSFERRED TO OTHER DOCUMENTS OR DISCLOSED TO OTHERS OR USED FOR ANY PURPOSE OTHER THAN THAT WHICH IT WAS OBTAINED WITHOUT THE EXPRESSED WRITTEN CONSENT OF SAMTEC, INC.



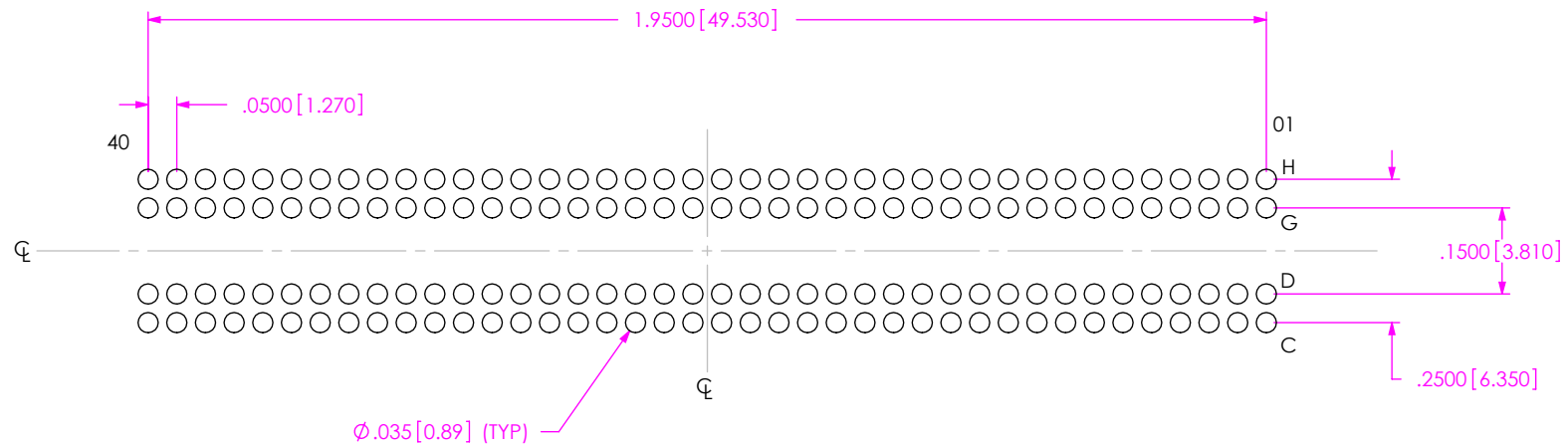
520 PARK EAST BLVD., NEW ALBANY, IN 47150  
 PHONE: 812-944-6733 FAX: 812-948-5047  
 e-Mail: info@SAMTEC.com code: 55322

SHEET SCALE: 1:1

DESCRIPTION:  
 .050 PITCH SOCKET ARRAY ASSEMBLY

DWG. NO. ASP-134603-01

NOTE:  
STENCIL TO BE .006[.15] THICK



(ALL DIMENSIONS SYMMETRIC ABOUT THE CENTERLINE)

**PROPRIETARY NOTE**

THIS DOCUMENT CONTAINS INFORMATION CONFIDENTIAL AND PROPRIETARY TO SAMTEC, INC. AND SHALL NOT BE REPRODUCED OR TRANSFERRED TO OTHER DOCUMENTS OR DISCLOSED TO OTHERS OR USED FOR ANY PURPOSE OTHER THAN THAT WHICH IT WAS OBTAINED WITHOUT THE EXPRESSED WRITTEN CONSENT OF SAMTEC, INC.

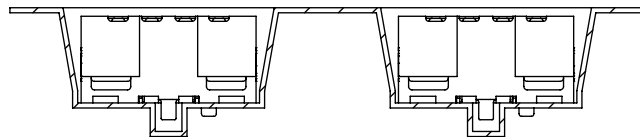
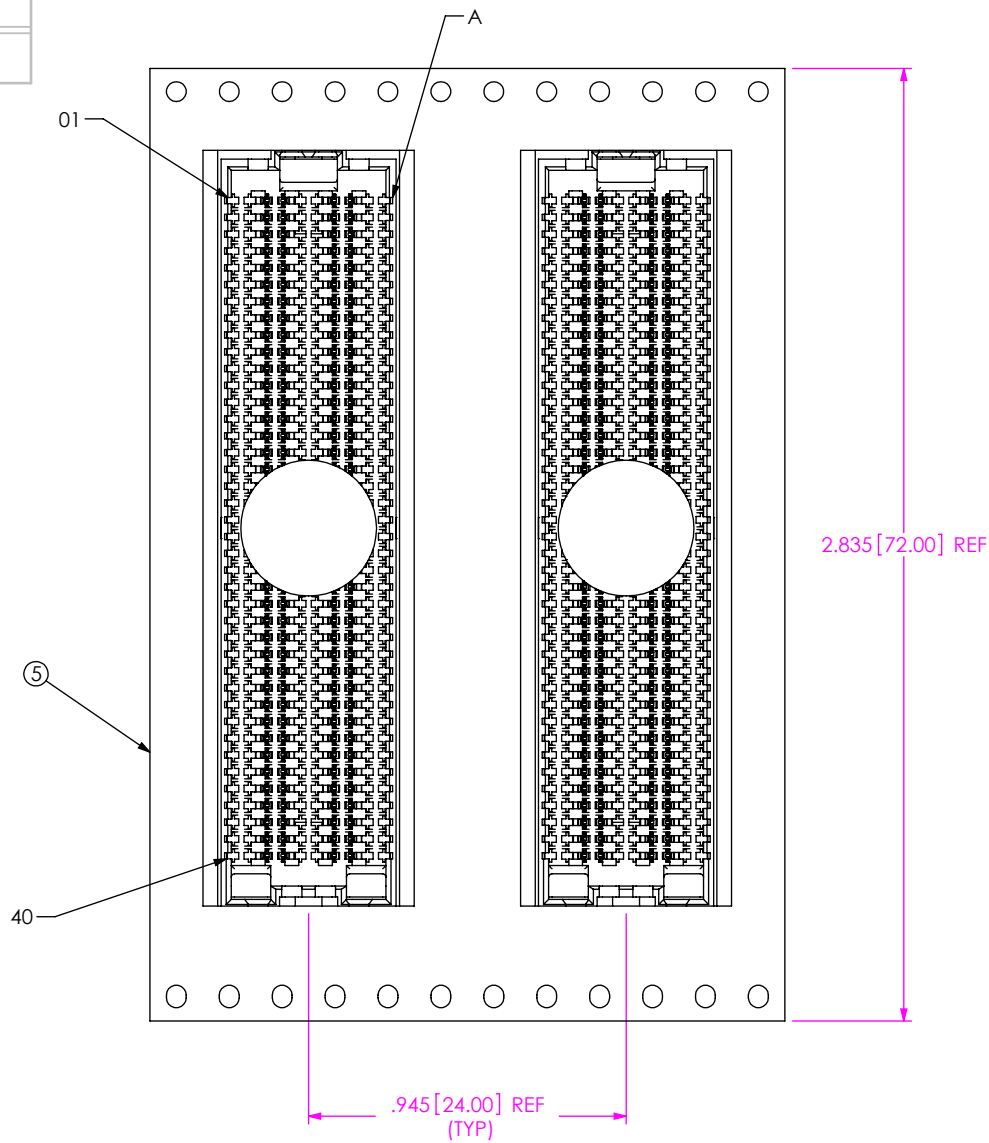


520 PARK EAST BLVD., NEW ALBANY, IN 47150  
PHONE: 812-944-6733 FAX: 812-948-5047  
e-Mail: info@SAMTEC.com code: 55322

SHEET SCALE: 1:1

DESCRIPTION:  
.050 PITCH SOCKET ARRAY ASSEMBLY

DWG. NO.  
ASP-134603-01



USER DIRECTION OF UNREELING →  
POCKET NOT DETAILED

PACKAGING VIEW

**PROPRIETARY NOTE**

THIS DOCUMENT CONTAINS INFORMATION CONFIDENTIAL AND PROPRIETARY TO SAMTEC, INC. AND SHALL NOT BE REPRODUCED OR TRANSFERRED TO OTHER DOCUMENTS OR DISCLOSED TO OTHERS OR USED FOR ANY PURPOSE OTHER THAN THAT WHICH IT WAS OBTAINED WITHOUT THE EXPRESSED WRITTEN CONSENT OF SAMTEC, INC.



520 PARK EAST BLVD, NEW ALBANY, IN 47150  
PHONE: 812-944-6733 FAX: 812-948-5047  
e-Mail: info@SAMTEC.com code: 55322

SHEET SCALE: 1:2

DESCRIPTION:  
.050 PITCH SOCKET ARRAY ASSEMBLY

DWG. NO. ASP-134603-01