

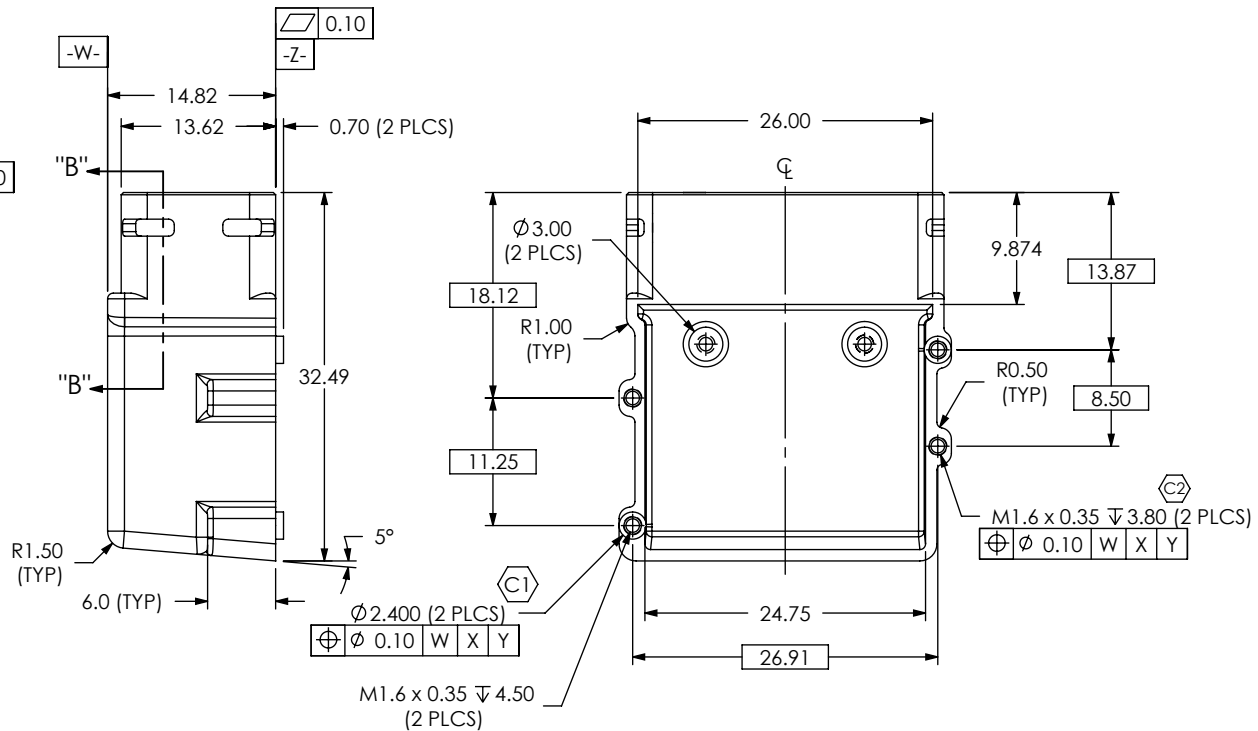
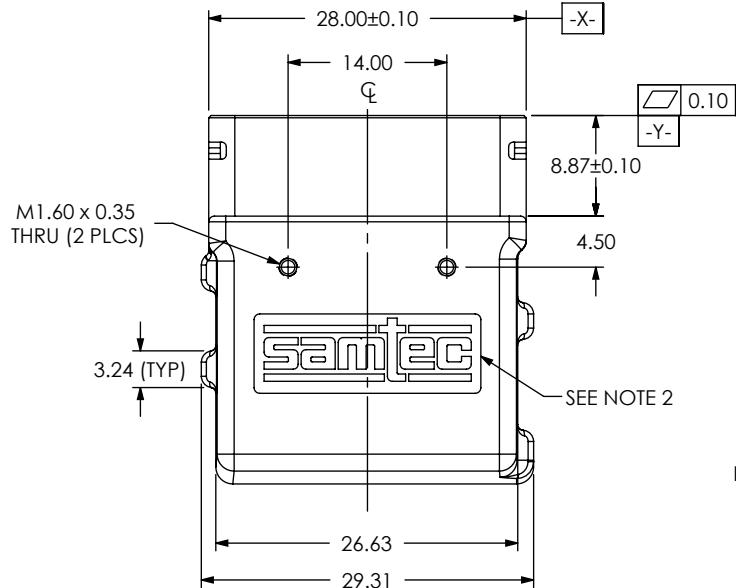
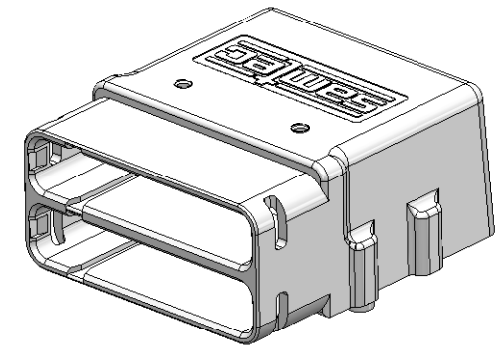
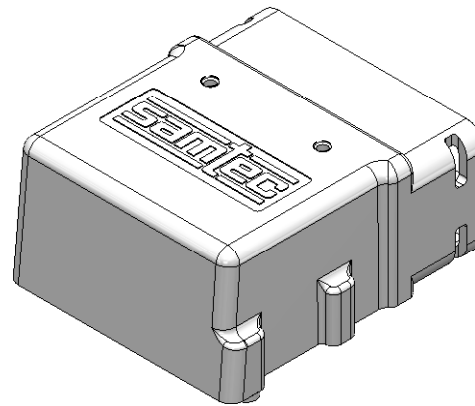
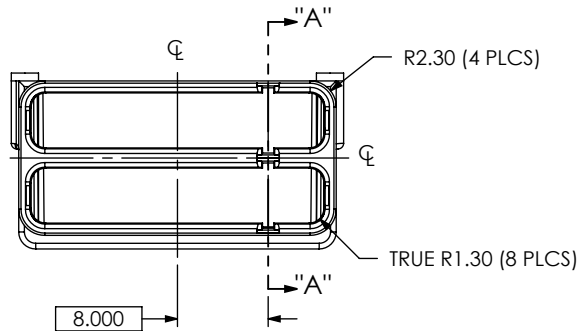
REVISION

0	CW	C FAITH
2/17/2010	ECN-125335	

ISSUE FOR REVIEW

NOT RELEASED FOR PRODUCTION

USE FOR QUOTING, PRELIMINARY DESIGN, PROTOTYPING AND INFORMATIONAL PURPOSES ONLY



NOTES:

- ⊗ REPRESENTS A CRITICAL DIMENSION.
- SAMTEC SHALL APPEAR ON SURFACE SHOWN, APPROXIMATELY
- ALL IDENTIFICATION MARKS MUST NOT STAND GREATER THAN 0.05 OFF THE SURFACE OF THE PART.
- MOLDED SURFACES SHALL BE CONSISTENT AND SMOOTH. SURFACES TO BE FREE OF SCRATCHES, NICKS, SINK AREAS, VOIDS OR OTHER BLEMISHES.
- PARTS TO BE PACKAGED IN TRAYS.
- ALL DRAFT MUST BE WITHIN TOLERANCES.
- PARTS TO BE SHOT BLASTED.
- DIMENSION TO BE ADJUSTABLE IN THE DIE.

UNLESS OTHERWISE SPECIFIED, DIMENSIONS ARE IN MILLIMETERS.

TOLERANCES ARE:

DECIMALS
X.X: ±0.3
X.XX: ±0.13
X.XXX: ±0.025

ANGLES
2°

PROPRIETARY NOTE

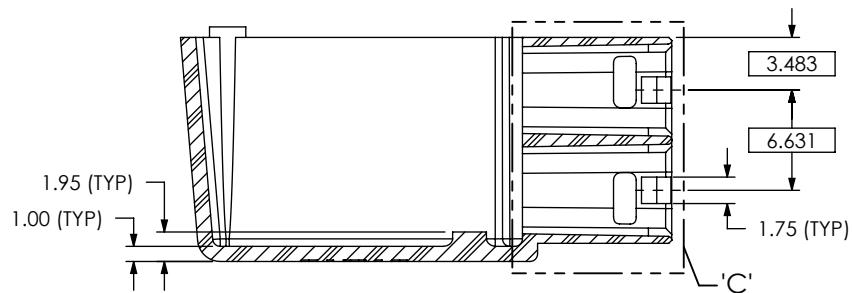
THIS DOCUMENT CONTAINS INFORMATION CONFIDENTIAL AND PROPRIETARY TO SAMTEC, INC. AND SHALL NOT BE REPRODUCED OR TRANSFERRED TO OTHER DOCUMENTS OR DISCLOSED TO OTHERS OR USED FOR ANY PURPOSE OTHER THAN THAT WHICH IT WAS OBTAINED WITHOUT THE EXPRESSED WRITTEN CONSENT OF SAMTEC, INC.



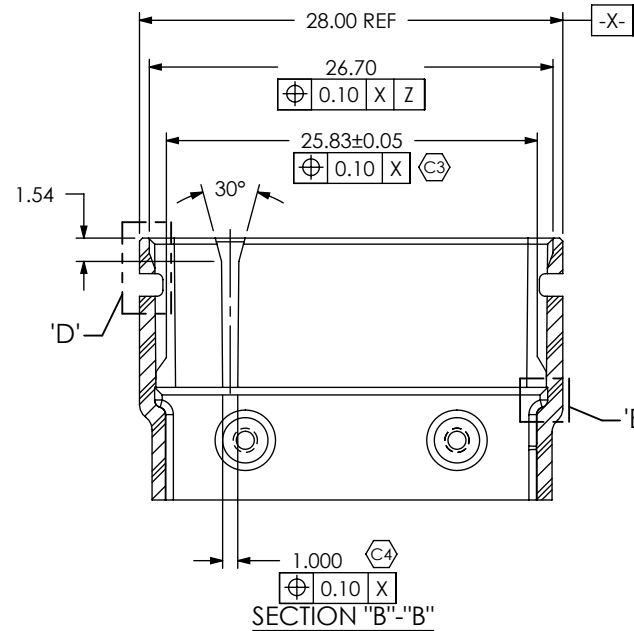
520 PARK EAST BLVD, NEW ALBANY, IN 47150
PHONE: 812-944-6733 FAX: 812-948-5047
e-Mail: info@SAMTEC.com code: 55322

MATERIAL: ZAMAK 3
PLATING: Cu: 0.008 - 0.015 mm [.0003 - .0006 in.] UNDERPLATE Ni: 0.003 - 0.008 mm [.0001 - .0003 in.]
MAX GATE VESTIGE: 0.13
MAX FLASH ALLOWED: 0.08
DO NOT SCALE DRAWING SHEET SCALE: 2:1
F:\DWG\SW\Newprod\PI635mm\HyperTransport\ASP-149118-01.SLDDRW

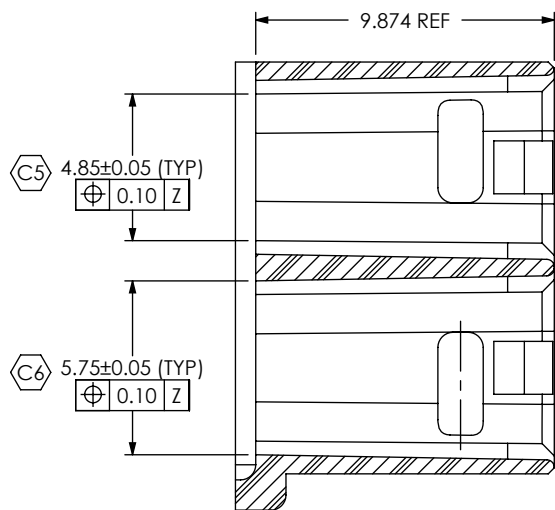
DESCRIPTION: 0.635MM EDGE MOUNT PCB CAGE
DWG. NO. ASP-149118-01
BY: VICKY Z 12/09/2009 SHEET 1 OF 2



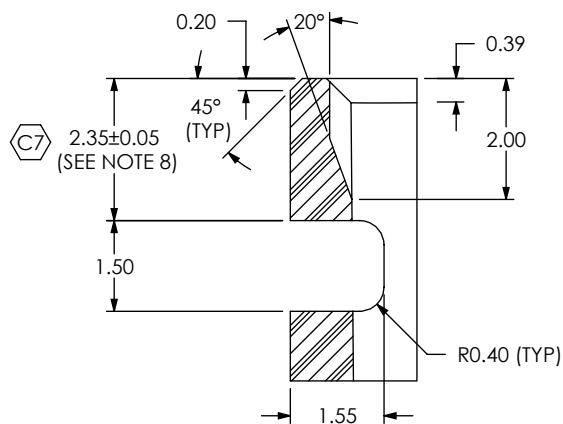
SECTION "A"-"A"



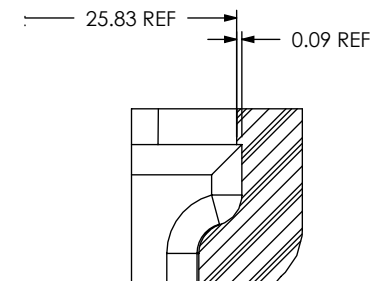
SECTION "B"-"B"



DETAIL 'C'
SCALE 4:1



DETAIL 'D'
SCALE 8:1



DETAIL 'E'
SCALE 8:1

PROPRIETARY NOTE

THIS DOCUMENT CONTAINS INFORMATION CONFIDENTIAL AND PROPRIETARY TO SAMTEC, INC. AND SHALL NOT BE REPRODUCED OR TRANSFERRED TO OTHER DOCUMENTS OR DISCLOSED TO OTHERS OR USED FOR ANY PURPOSE OTHER THAN THAT WHICH IT WAS OBTAINED WITHOUT THE EXPRESSED WRITTEN CONSENT OF SAMTEC, INC.

samtec

520 PARK EAST BLVD, NEW ALBANY, IN 47150
PHONE: 812-944-6733 FAX: 812-948-5047
e-Mail: info@SAMTEC.com code: 55322

SHEET SCALE: 2:1

DESCRIPTION: 0.635MM EDGE MOUNT PCB CAGE

DWG. NO. ASP-149118-01

BY: VICKY Z 12/09/2009 SHEET 2 OF 2