

Digital Attenuator
15.5 dB, 5-Bit, TTL Driver, DC-2.0 GHz

AT-283-PIN
V6

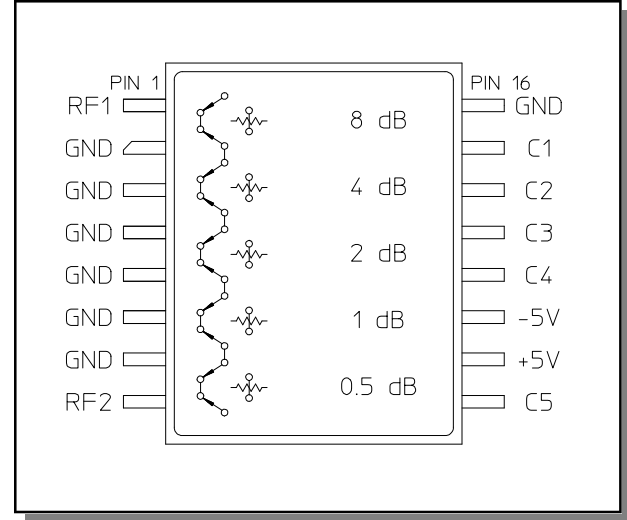
Features

- Attenuation: 0.5 dB Steps to 15.5 dB
- Temperature Stability: ± 0.18 dB from -55°C to $+85^{\circ}\text{C}$ Typical
- Low DC Power Consumption
- Hermetic Surface Mount Package
- Integral TTL Driver
- $50\ \Omega$ Nominal Impedance
- Lead-Free CR-12 Package
- 260°C Reflow Compatible

Description

M/A-COM's AT-283-PIN is a GaAs FET 5-bit digital attenuator with a 0.5 dB minimum step size and 15.5 dB total attenuation. This attenuator and integral TTL driver is in a hermetically sealed ceramic 16 lead surface mount package. The AT-283-PIN is ideally suited for use where accuracy, fast switching, very low power consumption and low intermodulation products are required. Typical applications include dynamic range setting in precision receiver circuits and other gain/leveling control circuits. Environmental screening is available. Contact the factory for information.

Functional Schematic



Ordering Information

Part Number	Package
AT-283-PIN	Bulk Packaging
MAAD-007229-0001TR	1000 piece reel
MAAD-007229-0001TB	Sample Test Board

Note: Reference Application Note M513 for reel size information.
Note: Die quantity varies.

Pin Configuration

Pin No.	Function	Pin No.	Function
1	RF1	9	C5
2	GND	10	+5V
3	GND	11	-5V
4	GND	12	C4
5	GND	13	C3
6	GND	14	C2
7	GND	15	C1
8	RF2	16	GND

The metal bottom of the case must be connected to RF and DC ground.

* Restrictions on Hazardous Substances, European Union Directive 2002/95/EC.

**Digital Attenuator
15.5 dB, 5-Bit, TTL Driver, DC-2.0 GHz**

**AT-283-PIN
V6**

Electrical Specifications: $T_A = 25^\circ\text{C}^1$

Parameter	Test Conditions	Units	Min	Typ	Max
Reference Insertion Loss	DC-0.5 GHz	dB	—	—	2.2
	DC-1.0 GHz	dB	—	—	2.5
	DC-2.0 GHz	dB	—	—	2.9
Attenuation Accuracy ²	Any Single Bit Any Combination of Bits	DC-2.0 GHz DC-2.0 GHz	± (0.25 +3% of attenuation setting in dB) dB ± (0.25 +3% of attenuation setting in dB) dB or ± 0.4 dB, whichever is greater		
VSWR	DC-1.0 GHz	—	—	—	1.6:1
	DC-2.0 GHz	—	—	—	1.7:1
Trise, Tfall Ton, Toff Transients	10% to 90%	nS	—	10	—
	50% Control to 90/10% RF	nS	—	27	—
	In-band (peak—peak)	mV	—	22	—
1 dB Compression ³	Input Power	0.05 GHz	—	+20	—
	Input Power	0.5-2.0 GHz	—	+28	—
Input IP ₃ ³	For two-tone input power up to +5 dBm	0.05 GHz	—	+40	—
		0.5-2.0 GHz	—	+47	—
Input IP ₂ ³	For two-tone input power up to +5 dBm	0.05 GHz	—	+53	—
		0.5-2.0 GHz	—	+68	—
V _{CC}	—	V	4.5	5.0	5.5
V _{EE}	—	V	-8.0	—	-5.0
I _{CC}	V _{CC} = 4.5 to 5.5V V _{ctl} = 0 to 0.8V, or V _{CC} - 2.1V to V _{CC}	mA	—	—	5.0
I _{EE}	V _{EE} = -5.0 to -8.0V	mA	—	—	1.0
V _{ctl}	Logic 0 (TTL)	V	0.0	—	0.8
	Logic 1 (TTL)	V	2.0	—	5.0
Input Leakage Current (Low)	0 to 0.8V	µA	—	—	1.0
Input Leakage Current (High)	2.0 to 5.0V	µA	—	—	1.0

1. All specifications apply when operated with bias voltages of +5.0V for V_{CC} and -5.0V to -8.0V for V_{EE}, and 50 Ω impedance at all ports unless otherwise specified.
2. This attenuator is guaranteed monotonic.
3. V_{EE} = -5.0V for the typical numbers given.

Digital Attenuator
15.5 dB, 5-Bit, TTL Driver, DC-2.0 GHz

**AT-283-PIN
V6**

Absolute Maximum Ratings ^{4,5}

Parameter	Absolute Maximum
Maximum Input Power 0.05 GHz 0.5-2.0 GHz	+27 dBm +34 dBm
Supply Voltages V _{CC} V _{EE}	+5.5V -8.5V
Control Voltage ⁶	-0.5V to V _{CC} + 0.5V
Operating Temperature	-55°C to +125°C
Storage Temperature	-65°C to +150°C

- Exceeding any one or combination of these limits may cause permanent damage to this device.
- M/A-COM does not recommend sustained operation near these survivability limits.
- Standard CMOS TTL interface, latch-up will occur if logic signal is applied prior to power supply.

Handling Procedures

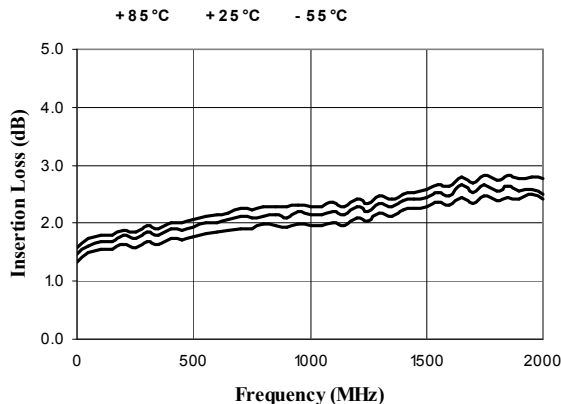
Please observe the following precautions to avoid damage:

Static Sensitivity

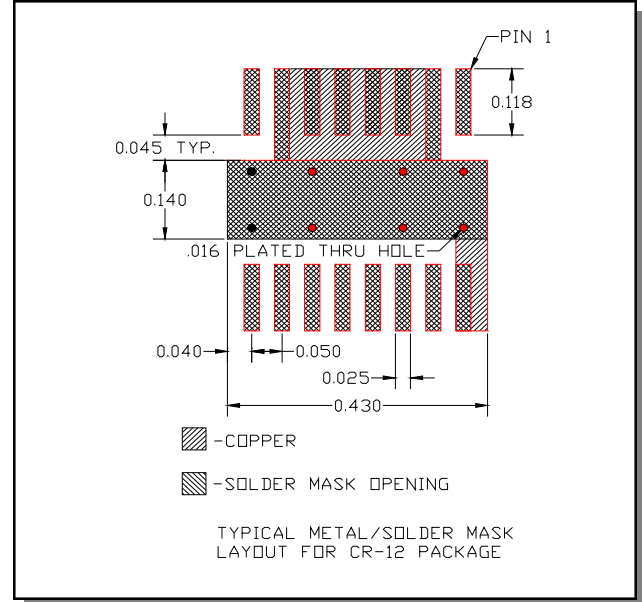
Gallium Arsenide Integrated Circuits are sensitive to electrostatic discharge (ESD) and can be damaged by static electricity. Proper ESD control techniques should be used when handling these devices.

Typical Performance Curves

Reference Insertion Loss vs. Frequency @ Temperature



Recommended PCB Configuration

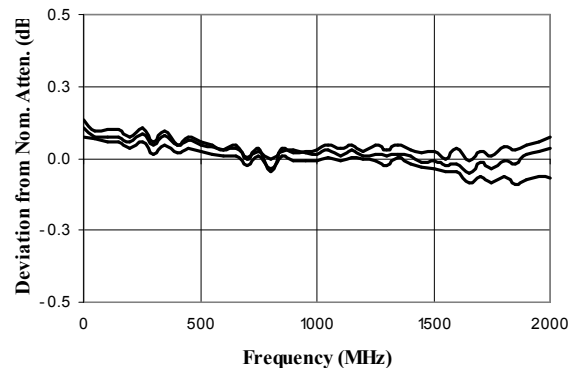


Truth Table (Digital Attenuator)

Control Inputs					
C1	C2	C3	C4	C5	Attenuation
0	0	0	0	0	Reference
1	0	0	0	0	0.5 dB
0	1	0	0	0	1 dB
0	0	1	0	0	2 dB
0	0	0	1	0	4 dB
0	0	0	0	1	8 dB
1	1	1	1	1	15.5 dB

0 = TTL Low; 1 = TTL High

Attenuation Accuracy vs. Frequency 0.5, 1, 2 dB Bits

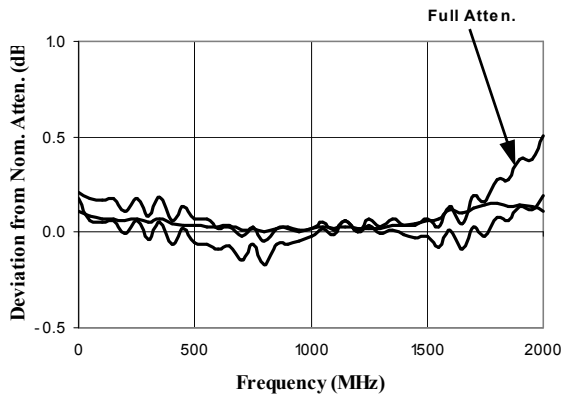


**Digital Attenuator
15.5 dB, 5-Bit, TTL Driver, DC-2.0 GHz**

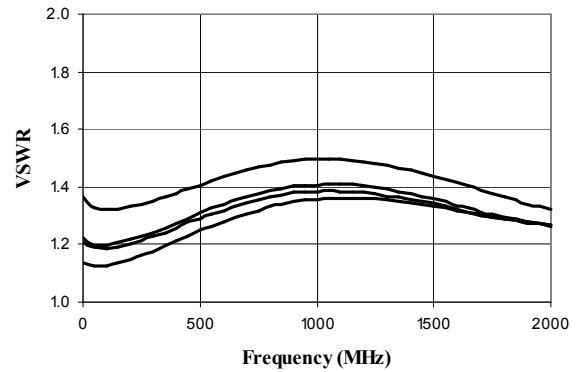
**AT-283-PIN
V6**

Typical Performance Curves

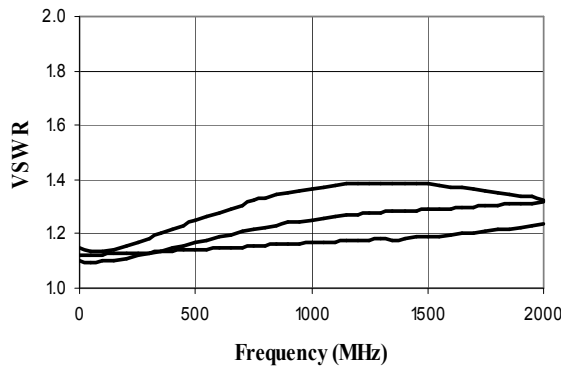
Attenuation Accuracy vs. Frequency 4, 8 dB Bits and Full Attenuation



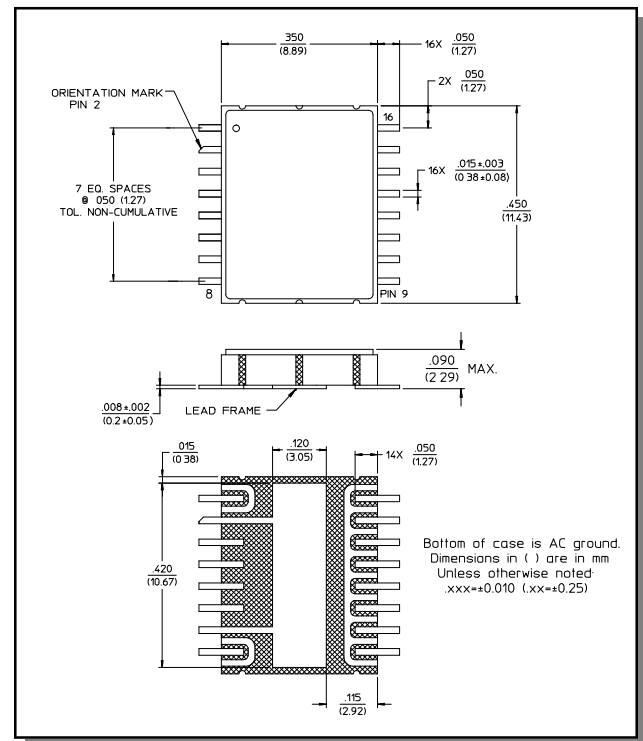
VSWR vs. Frequency Reference Loss, 0.5, 1, 2 dB Bits



VSWR vs. Frequency 4, 8 dB Bits and Full Attenuation



Lead-Free, CR-12 Ceramic Package[†]



[†] Reference Application Note M538 for lead-free solder reflow recommendations.