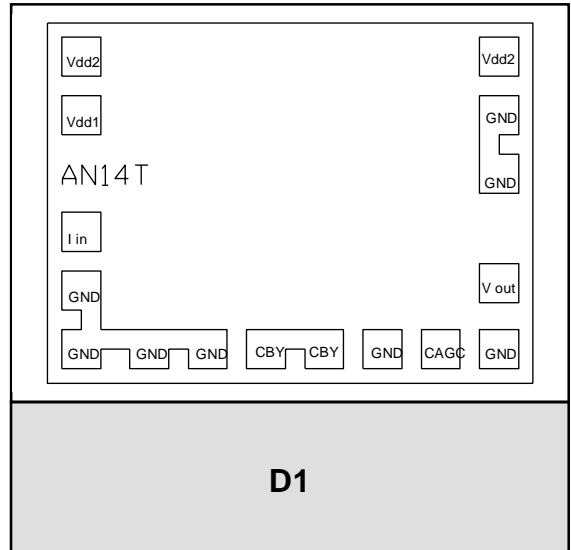


FEATURES

- Single +5 Volt Supply
- Automatic Gain Control
- - 34 dBm Sensitivity
- 0 dBm Optical Overload
- 425 MHz Bandwidth

APPLICATIONS

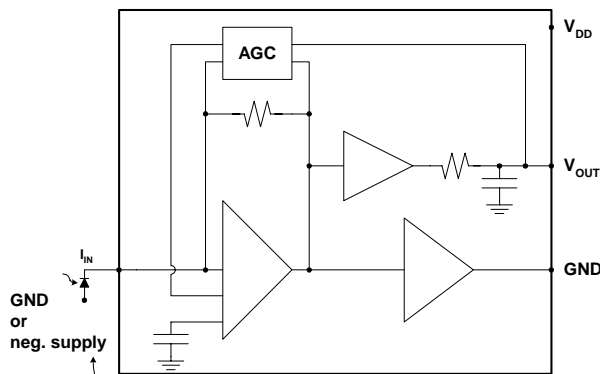
- SONET OC-12/SDH STM-4 (622 Mb/s) Receiver
- Low Noise RF Amplifier



PRODUCT DESCRIPTION

The ANADIGICS ATA06212A is a 5V low noise transimpedance amplifier with AGC designed to be used in OC-12/STM-4 fiber optic links. The device is used in conjunction with a photodetector (PIN diode or avalanche photodiode) to convert an optical signal

into an output voltage. The ATA06212A offers a bandwidth of 425MHz and a dynamic range of 35dB. It is manufactured in a GaAs MESFET process and is available in bare die form.



Photodetector cathode must be connected to I_{IN} for proper AGC operation

Figure 1: Equivalent Circuit

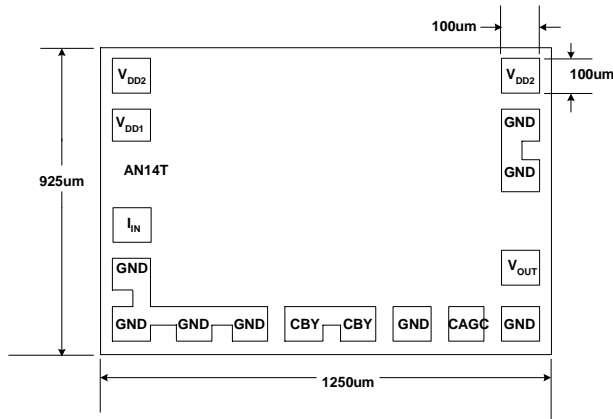


Figure 2: Bonding Pad

Table 1: ATA06212AD1C Pad Description

PAD	DESCRIPTION	COMMENT
V _{DD1}	VDD1	Positive supply for input gain stage
V _{DD2}	VDD2	Positive supply for second gain stage
I _{IN}	TIA Input Current	Connect to detector cathode for proper operation
V _{OUT}	TIA Output Voltage	Requires external DC block
C _{AGC}	External AGC Capacitor	$70k \times (4.5pF + C_{AGC}) = \text{AGC time constant}$
C _{BY}	Input gain stage bypass capacitor	>56 pF

ELECTRICAL CHARACTERISTICS

Table 2: Absolute Maximum Ratings

V _{DD1}	7.0 V
V _{DD2}	7.0 V
I _{IN}	5 mA
T _A	Operating Temp. -40 °C to 125 °C
T _S	Storage Temp. -65 °C to 150 °C

Stresses in excess of the absolute ratings may cause permanent damage. Functional operation is not implied under these conditions. Exposure to absolute ratings for extended periods of time may adversely affect reliability.

Table 3: Electrical Characteristics (1)

($T_A = 25^\circ\text{C}$, $V_{DD} = +5.0\text{V} + 10\%$, $C_{\text{DIODE}} + C_{\text{STRAY}} = 0.7\text{ pF}$, Detector Cathode to I_{IN})

PARAMETER	MIN	TYP	MAX	UNIT
Transresistance ($R_L = \infty, I_{DC} < 500\text{ nA}$)	7	11	-	$\text{K}\Omega$
Transresistance ($R_L = 50\Omega$) ⁽¹⁾	3.5	5	-	$\text{K}\Omega$
Bandwidth - 3dB	400	425	-	MHz
Input Resistance ⁽²⁾	-	300	-	Ω
Output Resistance	30	43	60	Ω
Input Offset Voltage	1.0	1.3	-	Volts
Output Offset Voltage	1.0	1.4	-	Volts
AGC Threshold (I_{IN}) ⁽³⁾	-	40	-	μA
AGC Time Constant ⁽⁶⁾	-	4.2	-	μsec
Optical Overload ⁽⁴⁾	0	+ 1	-	dBm
Optical Sensitivity ⁽⁷⁾	-	- 34	-	dBm
Input Noise Current ⁽⁵⁾	-	40	50	nA
Supply Current	-	30	45	mA
Operating Voltage Range	+ 4.5	+ 5.0	+ 6.0	Volts
Operating Temperature Range	- 40	-	85	$^\circ\text{C}$

Notes:

(1) $f = 50\text{ MHz}$

(2) Measured with I_{IN} below AGC Threshold.

During AGC, input impedance will decrease proportionally to I_{IN} .

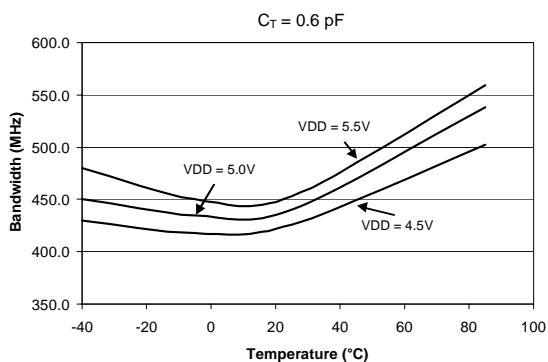
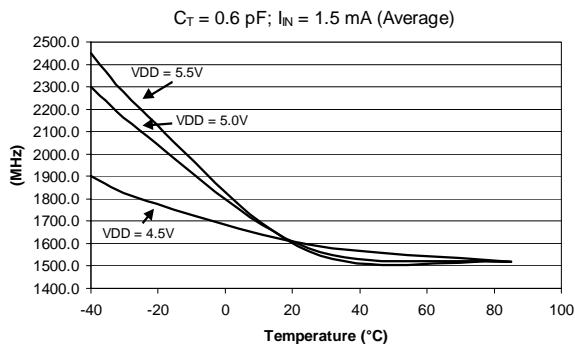
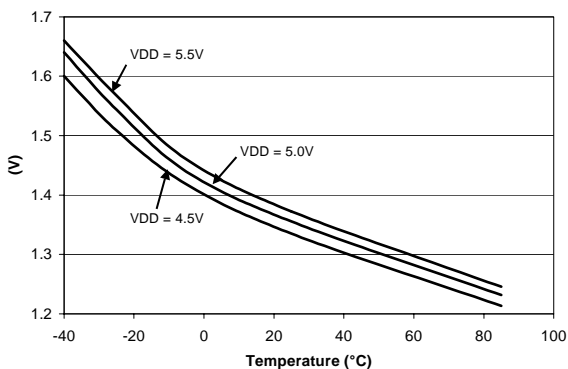
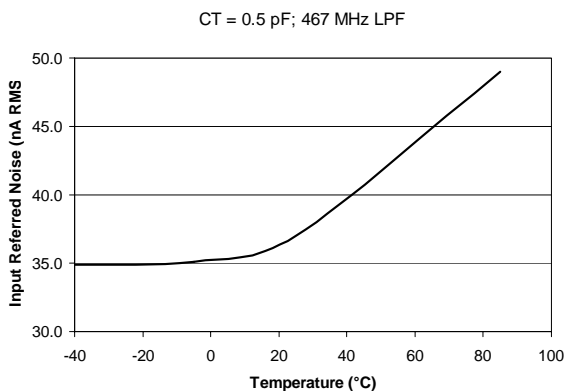
(3) Defined as the I_{IN} where Transresistance has decreased by 50%.

(4) See note on "Indirect Measurement of Optical Overload."

(5) See note on "Input Referred Noise Current."

(6) $C_{AGC} = 56\text{ pF}$

(7) Parameter is guaranteed (not tested) by design and characterization data @ 622 Mb/s, assuming detector responsivity of 0.95.

PERFORMANCE DATA ($V_{DD} = +5V$, $T_A = +25^\circ C$, UNLESS OTHERWISE NOTED)
Figure 4: 3dB Bandwidth vs. Temperature

Figure 5: AGC Bandwidth vs. Temperature

Figure 6: Input Offset Voltage vs. Temperature

Figure 7: Input Referred Noise vs. Temperature


APPLICATION INFORMATION

POWER SUPPLIES AND GENERAL LAYOUT CONSIDERATIONS

The ATA06212AD1C may be operated from a positive supply as low as + 4.5 V and as high as + 6.0 V. Below + 4.5 V, bandwidth, overload and sensitivity will degrade, while at + 6.0 V, bandwidth, overload and sensitivity improve (see “Bandwidth vs. Temperature” curves). Use of surface mount (preferably MIM type capacitors), low inductance power supply bypass capacitors ($\geq 56\text{pF}$) are essential for good high frequency and low noise performance. The power supply bypass capacitors should be mounted on or connected to a good low inductance ground plane.

GENERAL LAYOUT CONSIDERATIONS

Since the gain stages of the transimpedance amplifier have an open loop bandwidth in excess of 1.0 GHz, it is essential to maintain good high frequency layout practices. To prevent oscillations, a low inductance RF ground plane should be made available for power supply bypassing. Traces that can be made short should be made short, and the utmost care should be taken to maintain very low capacitance at the photodiode-TIA interface (I_{IN}); excess capacitance at this node will cause a degradation in bandwidth and sensitivity.

I_{IN} CONNECTION

Bonding the detector cathode to I_{IN} (and thus drawing current from the ATA06212D1C) improves the dynamic range. Although the detector may be used in the reverse direction for input currents not exceeding 25 μA , the specifications for optical overload will not be met (refer to the equivalent circuit diagram).

V_{OUT} CONNECTION

The output pad should be connected via a coupling capacitor to the next stage of the receiver channel (filter or decision circuits), as the output buffers are not designed to drive a DC coupled 50 Ohm load (this would require an output bias current of approximately 36 mA to maintain a quiescent 1.8 Volts across the output load). If V_{OUT} is connected to a high input impedance decision circuit (>500 Ohms), then a coupling capacitor may not be required, although caution should be exercised since DC offsets of the photo detector/TIA

combination may cause clipping of subsequent gain or decision circuits.

SENSITIVITY AND BANDWIDTH

In order to guarantee sensitivity, the TIA is subjected to a comprehensive series of tests at the die sort level (100% testing at 25 °C) to verify the DC and AC parametric performance (transimpedance and bandwidth).

INDIRECT MEASUREMENT OF OPTICAL OVERLOAD

Optical overload can be defined as the maximum optical power above which the BER (bit error rate) increases beyond 1 error in 10^{10} bits. The ATA06212AD1C is 100% tested at die sort by an AC measurement which has excellent correlation with a PRBS optical overload measurement.

INPUT REFERRED NOISE CURRENT

The “Input Noise Current” is directly related to sensitivity. It can be defined as the output noise voltage (V_{OUT}) with no input signal, (including a 400 MHz lowpass filter at the output of the TIA) divided by the AC transresistance.

AGC CAPACITOR

It is important to select an external AGC capacitor of high quality and appropriate size. The ATA06212AD1C has an on-chip 70 k Ω resistor with a shunt 4.5 pF capacitor to ground. Without external capacitance the chip will provide an AGC time constant of 315 ns. For the best performance in a typical 622Mb/s SONET receiver, a minimum AGC capacitor of 56pF is recommended. This will provide the minimum amount of protection against pattern sensitivity and pulse width distortion on repetitive data sequences during high average optical power conditions. The AGC function can be disabled by bonding C_{AGC} to ground. Conservative design practices should be followed when selecting an AGC capacitor, since unit to unit variability of the internal time constant and various data conditions can lead to data errors if the chosen value is too small.

NOTES

ORDERING INFORMATION

PART NUMBER	PACKAGE OPTION	PACKAGE DESCRIPTION
ATA06212AD1C	D1C	Die



ANADIGICS, Inc.
35 Technology Drive
Warren, New Jersey 07059
Tel: (908) 668-5000
Fax: (908) 668-5132
<http://www.anadigics.com>
Mktg@anadigics.com

IMPORTANT NOTICE

ANADIGICS, Inc. reserves the right to make changes to its products or to discontinue any product at any time without notice. The product specifications contained in Advanced Product Information sheets and Preliminary Data Sheets are subject to change prior to a product's formal introduction. Information in Data Sheets have been carefully checked and are assumed to be reliable; however, ANADIGICS assumes no responsibilities for inaccuracies. ANADIGICS strongly urges customers to verify that the information they are using is current before placing orders.

WARNING

ANADIGICS products are not intended for use in life support appliances, devices, or systems. Use of an ANADIGICS product in any such application without written consent is prohibited.