

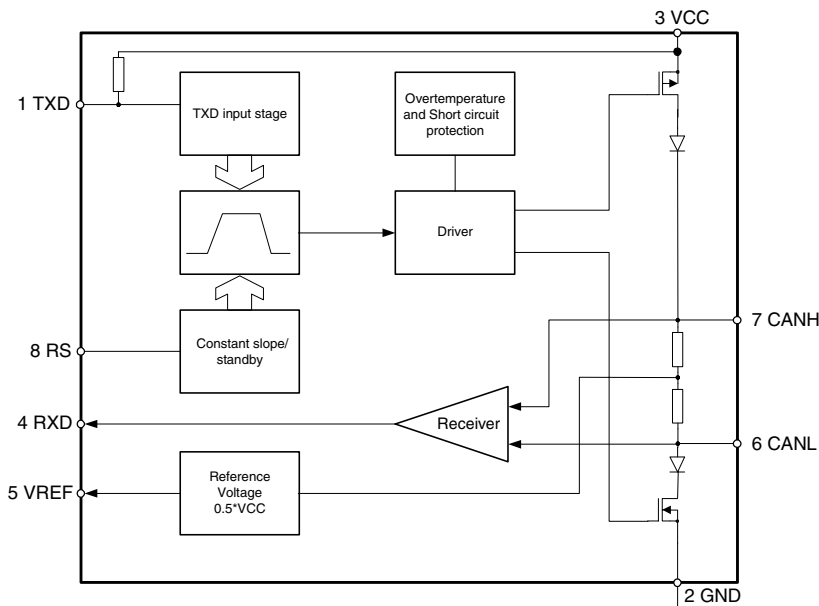
Features

- Usable for Automotive 12 V/24 V and Industrial Applications
- Maximum High-speed Data Transmissions up to 1 Mbaud
- Fully Compatible with ISO 11898
- Controlled Slew Rate
- Standby Mode
- TXD Input Compatible to 3.3 V
- Short-circuit Protection
- Overtemperature Protection
- High Voltage Bus Lines Protection, -40 V to +40 V
- High Speed Differential Receiver Stage with a Wide Common Mode Range, -10 V to +10 V, for High Electromagnetic Immunity (EMI)
- Fully Controlled Bus Lines, CANH and CANL to Minimize Electromagnetic Emissions (EME)
- High ESD Protection at CANH, CANL HBM 8 kV, MM 300 V

Description

The ATA6660 is a monolithic circuit based on the Atmel's Smart Power BCD60-III technology. It is especially designed for high speed CAN-Controller (CAN-C) differential mode data transmission between CAN-Controllers and the physical differential bus lines.

Figure 1. Block Diagram



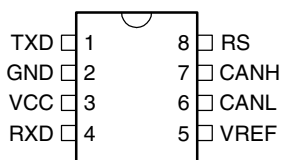
High-speed CAN Transceiver

ATA6660



Pin Configuration

Figure 2. Pinning SO8



Pin Description

Pin	Symbol	Function
1	TXD	Transmit data input
2	GND	Ground
3	VCC	Supply voltage
4	RXD	Receive data output
5	VREF	Reference voltage output
6	CANL	Low level CAN voltage input/output
7	CANH	High level CAN voltage input/output
8	RS	Switch standby mode/normal mode

Functional Description

The ATA6660 is a monolithic circuit based on Atmel's Smart Power BCD60-III technology. It is especially designed for high-speed differential mode data transmission in harsh environments like automotive and industrial applications. Baudrate can be adjusted up to 1 Mbaud. The ATA6660 is fully compatible to the ISO11898, the developed standard for high speed CAN-C (Controller Area Network) communication.

Voltage Protection and ESD

High voltage protection circuitry on both line pins, CANH (Pin 7) and CANL (Pin 6), allow bus line voltages in the range of -40 V to +40 V. ESD protection circuitry on line pins allow HBM = 8 kV, MM = 300 V. The implemented high voltage protection on bus line output/input pins (7/6) makes the ATA6660 suitable for 12 V automotive applications as well as 24 V automotive applications.

Slope Control

A fixed slope is adjusted to prevent unsymmetrical transients on bus lines causing EMC problems. Controlled bus lines, both CANH and CANL signal, will reduce radio frequency interference to a minimum. In well designed bus configurations the filter design costs can be reduced dramatically.

Overcurrent Protection

In the case of a line shorts, like CANH to GND, CANL to VCC, integrated short current limitation allows a maximum current of I_{CANH_SC} or I_{CANL_SC} . If junction temperature rises above 165°C an internal overtemperature protection circuitry shuts down both output stages, the receiver will stay activated.

Standby Mode

The ATA6660 can be switched to standby mode by forcing the voltage $V_{RS} > 0.87 \times V_{CC}$. In standby mode the supply current will reduce dramatically, supply current during standby mode is typical $600 \mu\text{A}$ (I_{VCC_stby}). Transmitting data function will not be supported, but the opportunity will remain to receive data. A high-speed comparator is listening for activities on the bus. A dominant bus signal will force the output RXD to a low level in typical $t_{dRXDL} = 400 \text{ ns}$. If the RS pin is not connected, causing through a broken connection to the controller, the ATA6660 will switch to standby mode automatically.

High-speed Receiver

In normal mode a fast receiver circuitry combined with a resistor network is able to detect differential bus line voltages $V_{rec_th} > 0.9 \text{ V}$ as dominant bit, differential bus line voltages $V_{rec_th} < 0.5 \text{ V}$ as recessive bit.

The wide receiver common mode range, -10 V to $+10 \text{ V}$, combined with a symmetrical differential receiver stage offers high immunity against electromagnetic interference. A typical hysteresis of 70 mV is implemented. Dominant differential bus voltages forces RXD output (Pin 4) to low level, recessive differential bus voltages to high level.

TXD Input

The input stage Pin 1 (TXD) is compatible for 3.3 V output levels from new controller families. Pull-up resistance ($25 \text{ k}\Omega$) forces the IC to recessive mode, if TXD-Pin is not connected. TXD low signal drives the transmitter into dominant state.

Transmitter

A integrated complex compensation technique allows stable data transmission up to 1 MBaud . Low level on TXD input forces bus line voltages CANH to 3.5 V , CANL to 1.5 V with a termination resistor of 60Ω . In the case of a line short circuit, like CANH to GND, CANL to VCC, integrated short current limitation circuitry allows a maximum current of 150 mA . If junction temperature rises above typical 163°C an internal overtemperature protection shuts down both output stages, the receive mode will stay activated.

Split Termination Concept

With a modified bus termination (see Figure 5) a reduction of emission and a higher immunity of the bus system can be achieved. The one 120Ω resistor at the bus line end nodes is split into two resistors of equal value, i.e., two resistors of 60Ω . The resistors for the stub nodes is recommended with two resistors of $1,3 \text{ k}\Omega$. (for example 8 stub nodes and 2 bus end nodes) Notice: The bus load of all the termination resistors has to stay within the range of 50Ω to 65Ω .

The common mode signal at the centre tap of the termination is connected to ground via a capacitor of e.g., $C_{split} = 10 \text{ nF}$ to 100 nF . A separate ground lead to the ground pin of the module connector is recommended.

Absolute Maximum Ratings

Parameters	Symbol	Conditions	Min.	Max.	Unit
Supply voltage	V_{CC}		-0.3	+6	V
DC voltage at Pins 1, 4, 5 and 8	V_{TXD} , V_{REF} , V_{RS} , V_{RXD}		-0.3	$V_{CC} + 0.3$	V
DC voltage at Pins 6 and 7	V_{CANH} , V_{CANL}	$0\text{ V} < V_{CC} < 5.25\text{ V}$; no time limit	-40.0	+40.0	V
Transient voltage at Pins 6 and 7			-150	+100	V
Storage temperature	T_{Stg}		-55	+150	°C
Operating ambient temperature	T_{amb}		-40	+125	°C
ESD classification	All pins	HBM ESD S.5.1 MM JEDEC A115A	±3000 ±200		V V
ESD classification	Pin 6, 7 versus Pin 2	HBM 1.5 kΩ, 100 pF MM 0Ω, 200 pF	±8000 ±300		V V

Thermal Resistance

Parameters	Symbol	Value	Unit
Thermal resistance from junction to ambient	R_{thJA}	160	K/W

Truth Table

VCC	TXD	RS	CANH	CANL	Bus State	RXD
4.75 V to 5.25 V	0	$< 0.3 \times V_{CC}$	3.5 V	1.5 V	Dominant	0
4.75 V to 5.25 V	1 (or floating)	$< 0.3 \times V_{CC}$	$0.5 \times V_{CC}$	$0.5 \times V_{CC}$	Recessive	1
4.75 V to 5.25 V	X	$> 0.87 \times V_{CC}$	$0.5 \times V_{CC}$	$0.5 \times V_{CC}$	Recessive	1

RS (Pin 8) Functionality

Slope Control	Mode	Voltage and Current Levels
$V_{RS} > 0.87 \times V_{CC}$	Standby	$I_{RS} < 10\ \mu\text{A} $
$V_{RS} < 0.3 \times V_{CC}$	Constant slope control	$I_{RS} \leq 500\ \mu\text{A}$

Electrical Characteristics

$V_{CC} = 4.75\text{ V to }5.25\text{ V}$; $T_{amb} = -40^{\circ}\text{C to }+125^{\circ}\text{C}$; $R_{Bus} = 60\ \Omega$; unless otherwise specified

All voltages referenced to ground (Pin 2); positive input current.

No.	Parameters	Test Conditions	Pin	Symbol	Min.	Typ.	Max.	Unit	Type*
1	Supply Current								
1.1	Supply current dominant	$V_{TXD} = 0\text{ V}$ $V_{RS} = 0\text{ V}$	3	I_{VCC_dom}		45	60	mA	A
1.2	Supply current recessive	$V_{TXD} = 5\text{ V}$ $V_{RS} = 0\text{ V}$	3	I_{VCC_rec}		10	15	mA	A
1.3	Supply current stand-by	$V_{RS} = 5\text{ V}$	3	I_{VCC_stby}		600	980	μA	A
2	Transmitter Data Input TXD								
2.1	HIGH level input voltage	$V_{TXD} = 5\text{ V}$ $V_{RS} = 0\text{ V}$	1	V_{TXDH}	2		$V_{CC}+0.3$	V	A
2.2	LOW level input voltage	$V_{TXD} = 0\text{ V}$ $V_{RS} = 0\text{ V}$	1	V_{TXDL}	-0.3		+1	V	A
2.3	HIGH level input current	$V_{TXD} = V_{CC}$	1	I_{IH}	-1		0	μA	A
2.4	LOW level input voltage	$V_{TXD} = 0\text{ V}$	1	I_{IL}	-500		-50	μA	A
3	Receiver Data Output RXD								
3.1	High level output voltage	$I_{RXD} = -100\ \mu\text{A}$	4	V_{RXDH}	$0.8 \times V_{CC}$		V_{CC}	V	A
3.2	Low level output voltage	$I_{RXD} = 1\text{ mA}$	4	V_{RXDL}	0		$0.2 \times V_{CC}$	V	A
3.3	Short current at RXD	$V_{TXD} = 5\text{ V}$ $V_{RXD} = 0\text{ V}$	4	I_{RXDs1}	-3		-1	mA	A
3.4	Short current at RXD	$V_{TXD} = 0\text{ V}$ $V_{RXD} = 5\text{ V}$	4	I_{RXDs2}	2		6	mA	A
4	Reference Output Voltage VREF								
4.1	Reference output voltage normal mode	$V_{RS} = 0\text{ V}$; $-50\ \mu\text{A} < I_5 < 50\ \mu\text{A}$	5	V_{ref_no}	$0.45 V_{CC}$	-	$0.55 V_{CC}$	V	A
4.2	Reference output voltage standby mode	$V_{RS} = 5\text{ V}$; $-5\ \mu\text{A} < I_5 < 5\ \mu\text{A}$	5	V_{ref_stby}	$0.4 \times V_{CC}$	-	$0.6 V_{CC}$	V	A
5	DC Bus Transmitter CANH; CANL								
5.1	Recessive bus voltage	$V_{TXD} = V_{CC}$; no load	6, 7	V_{CANH} ; V_{CANL}	2.0	2.5	3.0	V	A
5.2	$I_{O(CANH)(reces)}$ $I_{O(CANL)(reces)}$	$-40\text{ V} < V_{CANH}$; $V_{CANL} < 40\text{ V}$; $0\text{ V} < V_{CC} < 5.25\text{ V}$	6, 7	I_{O_reces}	-5		+5	mA	A
5.3	CANH output voltage dominant	$V_{TXD} = 0\text{ V}$	6, 7	V_{CANH}	2.8	3.5	4.5	V	A
5.4	CANL output voltage dominant	$V_{TXD} = 0\text{ V}$	6, 7	V_{CANL}	0.5	1.5	2.0	V	A

*) Type means: A = 100% tested, B = 100% correlation tested, C = Characterized on samples, D = Design parameter

Electrical Characteristics (Continued)

$V_{CC} = 4.75\text{ V to }5.25\text{ V}$; $T_{amb} = -40^{\circ}\text{C to }+125^{\circ}\text{C}$; $R_{Bus} = 60\ \Omega$; unless otherwise specified

All voltages referenced to ground (Pin 2); positive input current.

No.	Parameters	Test Conditions	Pin	Symbol	Min.	Typ.	Max.	Unit	Type*
5.5	Differential bus output voltage ($V_{CANH} - V_{CANL}$)	$V_{TXD} = 0\text{ V}$; $R_L = 45\ \Omega\text{ to }60\ \Omega$; $V_{CC} = 4.9\text{ V}$	6, 7	V_{diff_dom}	1.5	2	3.0	V	A
5.6		$V_{TXD} = V_{CC}$; no load	6, 7	V_{diff_rec}	-500		+50	mV	A
5.7	Short-circuit CANH current	$V_{CANH} = -10\text{ V}$ $TXD = 0\text{ V}$	6, 7	I_{CANH_SC}	-35		-100	mA	A
5.8	Short-circuit CANL current	$V_{CANL} = 18\text{ V}$ $TXD = 0\text{ V}$	6, 7	I_{CANL_SC}	50	-	150	mA	A
6	DC Bus Receiver CANH; CANL								
6.1	Differential receiver threshold voltage normal mode	$-10\text{ V} < V_{CANH} < +10\text{ V}$ $-10\text{ V} < V_{CANL} < +10\text{ V}$	6, 7	V_{rec_th}	0.5	0.7	0.9	V	A
6.2	Differential receiver threshold voltage stand-by mode	$V_{RS} = V_{CC}$	6, 7	$V_{rec_th_stby}$	0.5	0.7	0.9	V	A
6.3	Differential input hysteresis		6, 7	$V_{diff(hys)}$		70		mV	A
6.4	CANH and CANL common mode input resistance		6, 7	R_i	5	15	25	$k\Omega$	A
6.5	Differential input resistance		6, 7	R_{diff}	10	30	100	$k\Omega$	A
6.6	Matching between CANH and CANL common mode input resistance		6, 7	R_{i_m}	-3		+3	%	A
6.7	CANH, CANL input capacitance		6, 7	C_i			20	pF	D
6.8	Differential input capacitance		6, 7	C_{diff}			10	pF	D
6.9	CANH, CANL input leakage input current	$V_{CC} = 0\text{ V}$ $V_{CANH} = 3.5\text{ V}$ $V_{CANL} = 1.5\text{ V}$	6, 7	$I_{LI(CANH)}$; $I_{LI(CANL)}$			250	μA	A
7	Thermal Shut-down								
7.1	Shut-down junction temperature for CANH/CANL			$T_{J(SD)}$	150	163	175	$^{\circ}\text{C}$	B
7.2	Switch on junction temperature for CANH/CANL			$T_{J(SD)}$	140	154	165	$^{\circ}\text{C}$	B
7.3	Temperature hysteresis			T_{Hys}		10		K	B

*) Type means: A = 100% tested, B = 100% correlation tested, C = Characterized on samples, D = Design parameter

Electrical Characteristics (Continued)

$V_{CC} = 4.75\text{ V to }5.25\text{ V}$; $T_{amb} = -40^{\circ}\text{C to }+125^{\circ}\text{C}$; $R_{Bus} = 60\ \Omega$; unless otherwise specified

All voltages referenced to ground (Pin 2); positive input current.

No.	Parameters	Test Conditions	Pin	Symbol	Min.	Typ.	Max.	Unit	Type*
8	Timing Characteristics Normal Mode , $V_{RS} \leq 0.3 \times V_{CC}$ (see Figure 3)								
8.1	Delay TXD to bus active	$V_{RS} = 0\text{ V}$		$t_{d(\text{TXD-BUS_ON})}$		120	180	ns	A
8.2	Delay TXD to bus inactive	$V_{RS} = 0\text{ V}$		$t_{d(\text{TXD-BUS_OFF})}$		50	100	ns	A
8.3	Delay TXD to RXD, recessive to dominant	$V_{RS} = 0\text{ V}$	6, 7	$t_{d_activ(\text{TXD-RXD})}$		200	420	ns	A
8.4	Delay TXD to RXD, dominant to recessive	$V_{RS} = 0\text{ V}$		$t_{d_inactiv(\text{TXD-RXD})}$		180	460	ns	A
8.5	Difference between Delay TXD to RXD dominant to Delay recessive	$t_{diff} = t_{d_activ(\text{TXD-RXD})} - t_{d_inactiv(\text{TXD-RXD})}$		t_{diff}	-280		80	ns	A
9	Timing Characteristics Stand-by Mode $V_{RS} \geq 0.87 \times V_{CC}$								
9.1	Bus dominant to RXD low in stand-by mode	$V_{RS} = V_{CC}$	4	t_{dRxDL}	-	300	450	ns	A
9.2	Wake up time after stand-by mode (time delay between stand-by to normal mode and to bus dominant)	TXD = 0 V V_{RS} from 0 V to V_{CC}	6, 7	T_{wake_up}			2	μs	A
10.1	Standby/Normal Mode Selectable via RS (Pin 8)								
10.1	Input voltage for normal mode	$V_{RS} = V_{CC}$	8	V_{RS}	-	-	$0.3 \times V_{CC}$	V	A
10.2	Input current for normal mode	$V_{RS} = 0\text{ V}$	8	I_{RS}	-700			μA	A
10.3	Input voltage for stand-by mode		8	V_{stby}	$0.87 \times V_{CC}$			V	A

*) Type means: A = 100% tested, B = 100% correlation tested, C = Characterized on samples, D = Design parameter

Figure 3. Timing Diagrams

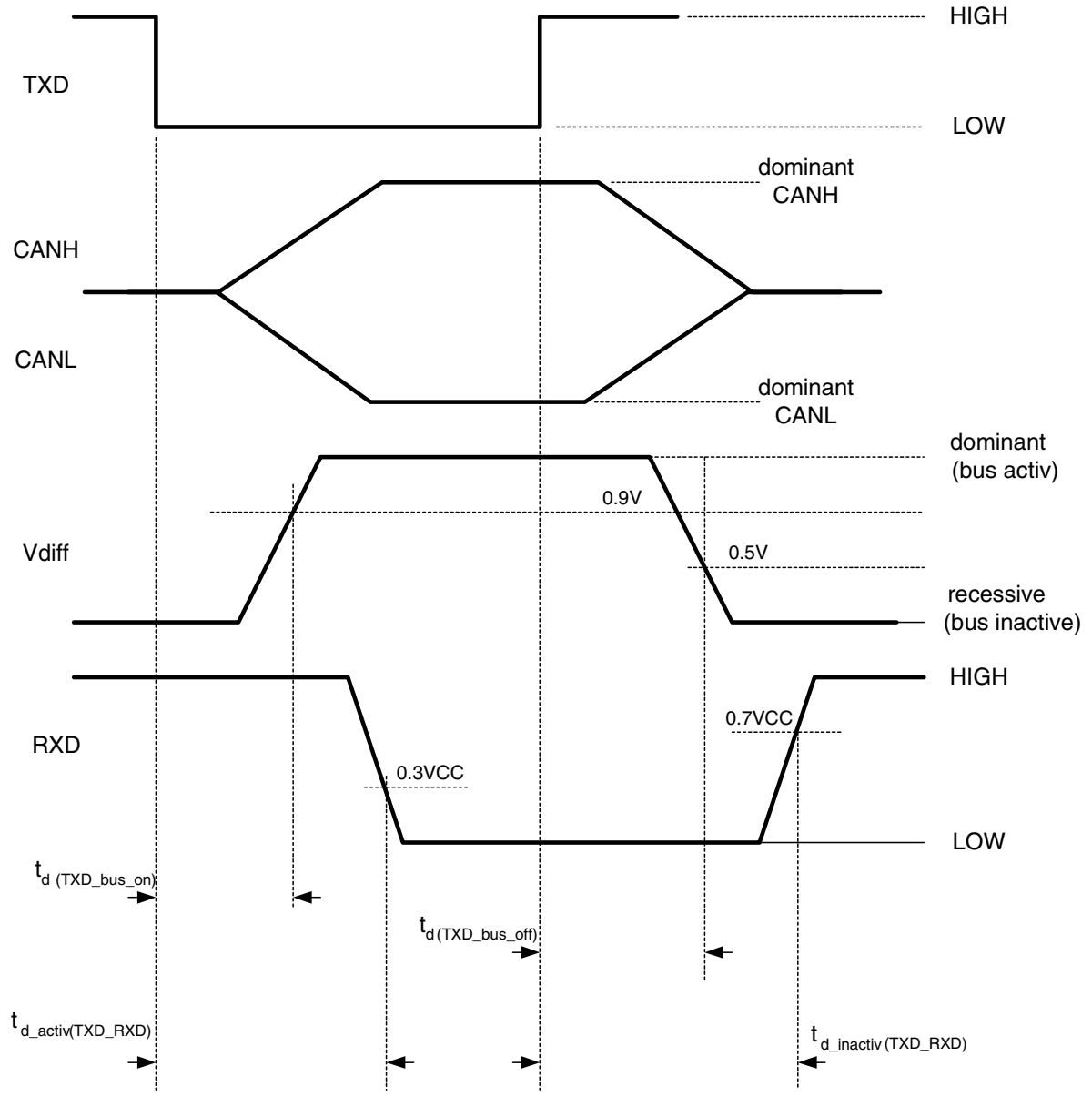


Figure 4. Test Circuit for Timing Characteristics

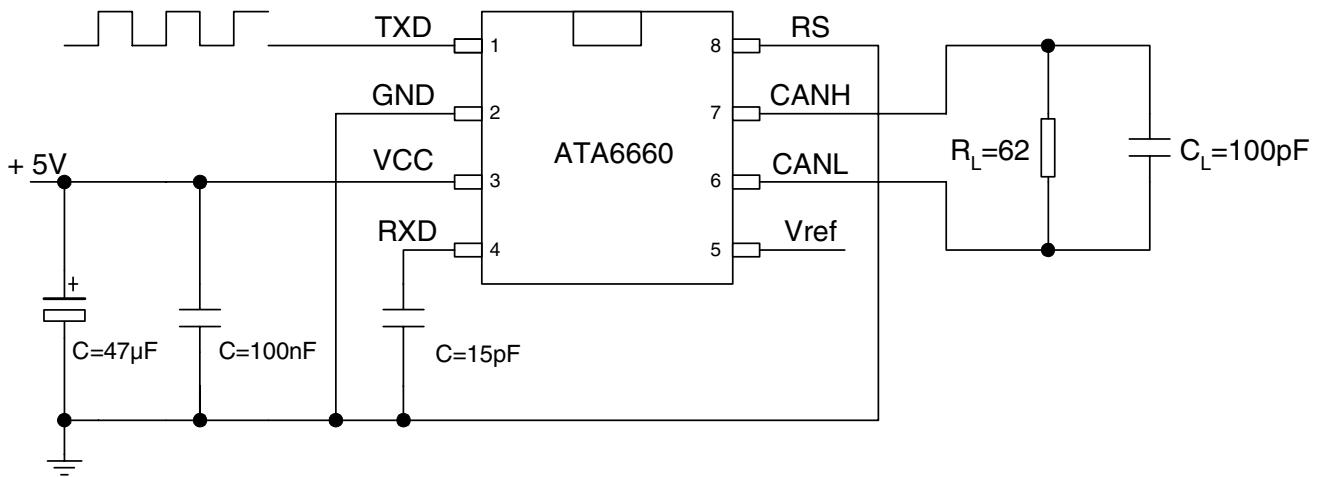
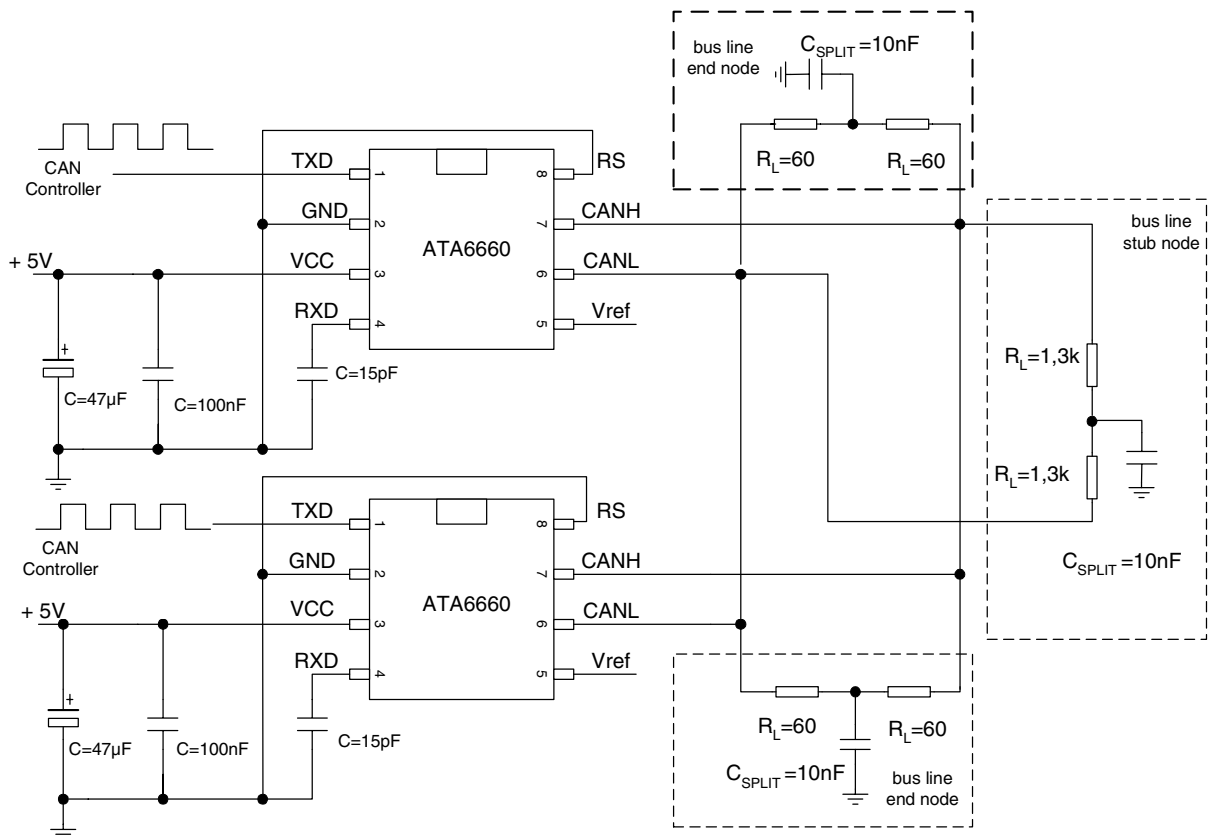


Figure 5. Bus Application with Split Termination Concept



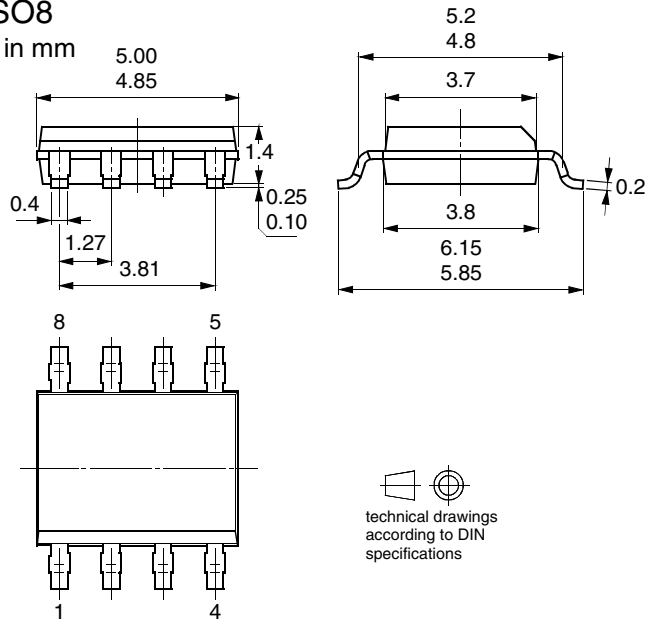
Ordering Information

Extended Type Number	Package	Remarks
ATA6660	SO8	–

Package Information

Package SO8

Dimensions in mm





Atmel Headquarters

Corporate Headquarters

2325 Orchard Parkway
San Jose, CA 95131
TEL 1(408) 441-0311
FAX 1(408) 487-2600

Europe

Atmel Sarl
Route des Arsenaux 41
Case Postale 80
CH-1705 Fribourg
Switzerland
TEL (41) 26-426-5555
FAX (41) 26-426-5500

Asia

Room 1219
Chinachem Golden Plaza
77 Mody Road Tsimhatsui
East Kowloon
Hong Kong
TEL (852) 2721-9778
FAX (852) 2722-1369

Japan

9F, Tonetsu Shinkawa Bldg.
1-24-8 Shinkawa
Chuo-ku, Tokyo 104-0033
Japan
TEL (81) 3-3523-3551
FAX (81) 3-3523-7581

Atmel Operations

Memory

2325 Orchard Parkway
San Jose, CA 95131
TEL 1(408) 441-0311
FAX 1(408) 436-4314

Microcontrollers

2325 Orchard Parkway
San Jose, CA 95131
TEL 1(408) 441-0311
FAX 1(408) 436-4314

La Chantrerie
BP 70602
44306 Nantes Cedex 3, France
TEL (33) 2-40-18-18-18
FAX (33) 2-40-18-19-60

ASIC/ASSP/Smart Cards

Zone Industrielle
13106 Rousset Cedex, France
TEL (33) 4-42-53-60-00
FAX (33) 4-42-53-60-01

1150 East Cheyenne Mtn. Blvd.
Colorado Springs, CO 80906
TEL 1(719) 576-3300
FAX 1(719) 540-1759

Scottish Enterprise Technology Park
Maxwell Building
East Kilbride G75 0QR, Scotland
TEL (44) 1355-803-000
FAX (44) 1355-242-743

RF/Automotive

Theresienstrasse 2
Postfach 3535
74025 Heilbronn, Germany
TEL (49) 71-31-67-0
FAX (49) 71-31-67-2340

1150 East Cheyenne Mtn. Blvd.
Colorado Springs, CO 80906
TEL 1(719) 576-3300
FAX 1(719) 540-1759

Biometrics/Imaging/Hi-Rel MPU/ High Speed Converters/RF Datacom

Avenue de Rochepleine
BP 123
38521 Saint-Egreve Cedex, France
TEL (33) 4-76-58-30-00
FAX (33) 4-76-58-34-80

e-mail

literature@atmel.com

Web Site

<http://www.atmel.com>

© Atmel Corporation 2003.

Atmel Corporation makes no warranty for the use of its products, other than those expressly contained in the Company's standard warranty which is detailed in Atmel's Terms and Conditions located on the Company's web site. The Company assumes no responsibility for any errors which may appear in this document, reserves the right to change devices or specifications detailed herein at any time without notice, and does not make any commitment to update the information contained herein. No licenses to patents or other intellectual property of Atmel are granted by the Company in connection with the sale of Atmel products, expressly or by implication. Atmel's products are not authorized for use as critical components in life support devices or systems.

Atmel® is the registered trademark of Atmel.

Other terms and product names may be the trademarks of others.



Printed on recycled paper.